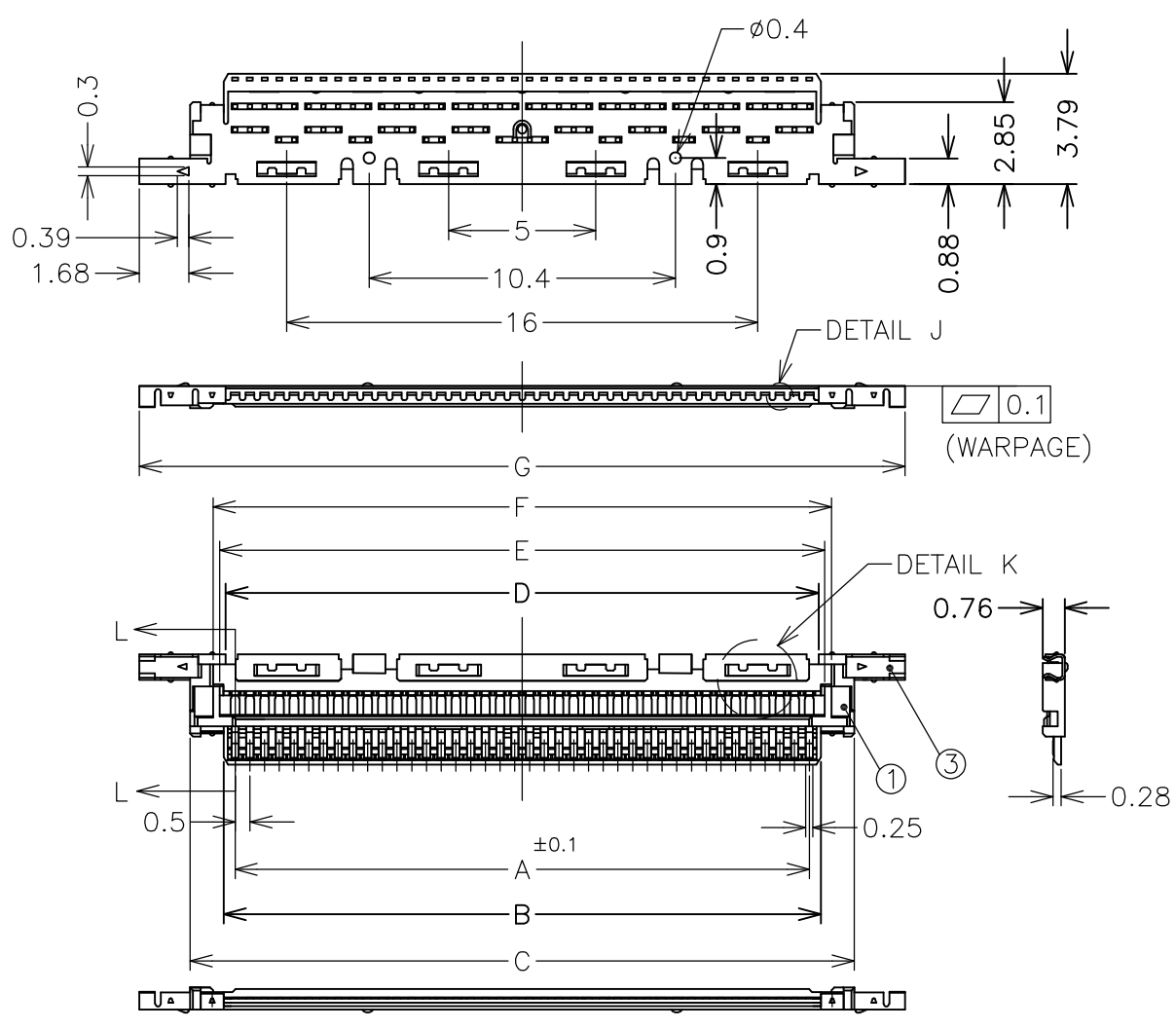
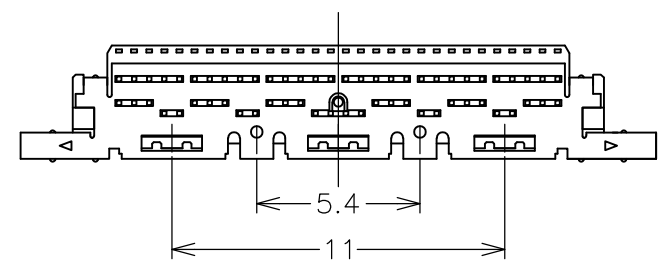
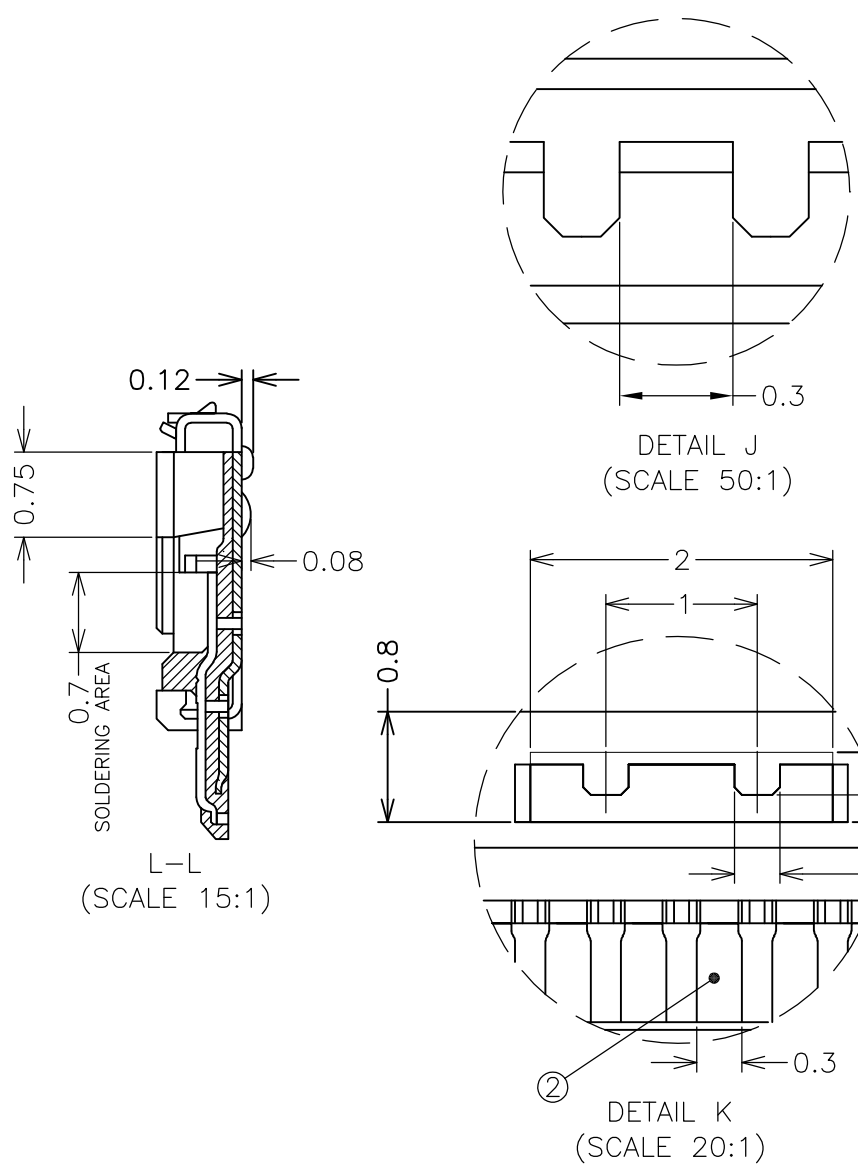


THIS DRAWING IS UNPUBLISHED.		RELEASED FOR PUBLICATION							
© COPYRIGHT - By -		ALL RIGHTS RESERVED.							
PART NO.	POS NO.	A	B	C	D	E	F	G	TOOLING STATUS
2023344-3	40	19.5	20.3	22.56	20.20	20.55	21	26	AVAILABLE
2023344-2	30	14.5	15.3	17.56	15.20	15.55	16	21	AVAILABLE
2023344-1	20	9.5	10.3	12.56	10.20	10.55	11	16	NOT AVAILABLE

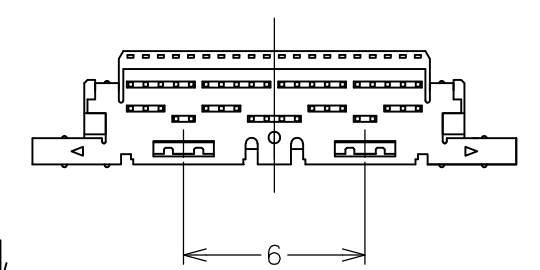
LOC	DIST	REVISIONS					
J	/	P	LTR	DESCRIPTION	DATE	DWN	APVD
		C	REVISED		23JUN2011	Y.S	I.I



-3(40P): AS SHOWN



-2(30P): AS SHOWN



-1(20P): AS SHOWN

③	LOWER SHELL	COPPER ALLOY, Au OVER Ni
②	CONTACT	COPPER ALLOY, Au OVER Ni
①	HOUSING	HIGH TEMP. THERMOPLASTIC, UL94V-0, BLACK
ITEM	PART NAME	MATERIAL & FINISH $\Delta$

GENERAL TOLERANCE	
6 MAX.	±0.2
6 OVER MAX. 30	±0.3
30 OVER MAX. 120	±0.5
ANGLE	±2°

THIS DRAWING IS A CONTROLLED DOCUMENT.		DWN	Y.SHINO	18SEP2009	<b>STE</b> TE Connectivity		
DIMENSIONS: 单位: 耗 mm		CHK	S.KAJINUMA	18SEP2009			
TOLERANCES UNLESS OTHERWISE SPECIFIED: 一般公差		APVD	S.KAJINUMA	18SEP2009	NAME 名称		
0 RLC ± -		PRODUCT SPEC		LCD COAXIAL EMBEDDED DISPLAY INTERFACE			
1 PLC ± -		製品規格		(LCEDI) 0.5mm PITCH CONNECTOR			
2 PLC ± -		APPLICATION SPEC		PLUG HSG ASSY			
3 PLC ± -		取付適用規格		SIZE			
4 PLC ± -		108-78659		CAGE CODE			
ANGLES ± -		114-5456		DRAWING NO			
MATERIAL 材料		WEIGHT		番号			
FINISH 仕上		CUSTOMER DRAWING		RESTRICTED TO			
				A3 00779 C-2023344			
				SCALE 尺度 4:1			
				SHEET 1 OF 1			
				REV C			

## X-ON Electronics

Largest Supplier of Electrical and Electronic Components

*Click to view similar products for [I/O Connectors](#) category:*

*Click to view products by [TE Connectivity](#) manufacturer:*

Other Similar products are found below :

[571763P](#) [58098-0628](#) [61-168618-12P](#) [D38999/20FJ29SB L/C](#) [72.250.1628.2](#) [72.250.2428.2](#) [74720-0505](#) [747680210](#) [76.350.0729.0](#) [76871-1403](#) [FCN-244F080-G/1](#) [FCN-260A9920](#) [FCN-268D024-G/2F#10X-R10](#) [MP-5T180MUNNA-005](#) [MP-5XRJ45UNNB-003](#) [PCS-E50FA](#) [PCS-XE26LKA](#) [PCS-XE26MA+](#) [PCS-XES68MS+](#) [G38A71314B](#) [91-569719-35R](#) [9776-18-6](#) [DX40-50P\(55\)](#) [1571250010](#) [157-22500-3](#) [MS3471L14-19P L/C](#) [171224-6031](#) [1888020-8](#) [91-569786-35H](#) [91-569786-35M](#) [91-644626-35P](#) [172501-4002](#) [172501-6002](#) [FCN-260C008-A/L0](#) [FCN-260C024-AL0](#) [FCN-261Z008](#) [FCN-268D008-G/1K](#) [2000314-1](#) [200331-1](#) [2007498-2](#) [PCR-E28LMDAG1+](#) [PCR-E36FC+](#) [PCS-E28FS+](#) [PCS-XE26SLFD+](#) [PCS-XE26SLFDT+](#) [G38A71214B](#) [HDRA-E68W1LFDTC-SL+](#) [HDR-E14MSG1+](#) [R88A-CNK81S](#) [CRT1-ATT02](#)