

ALL DIMENSIONS ARE REFERENCE
(SEE T-M82-XXXX-XX FOR CONTROLLING PRINT)

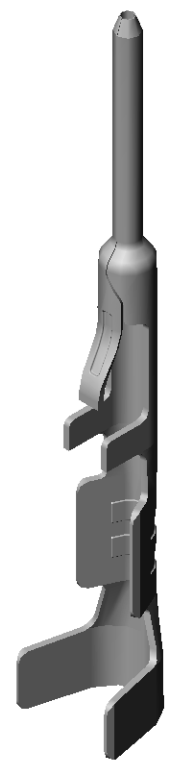
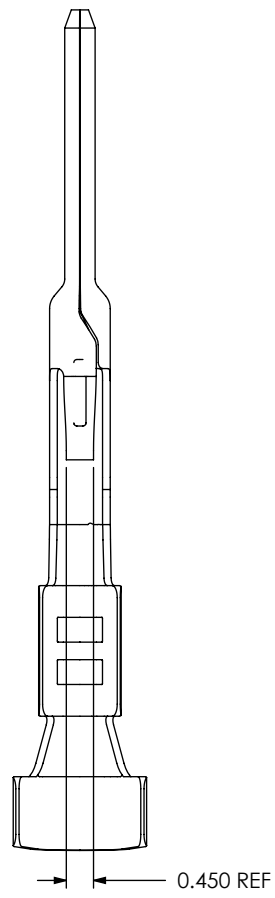
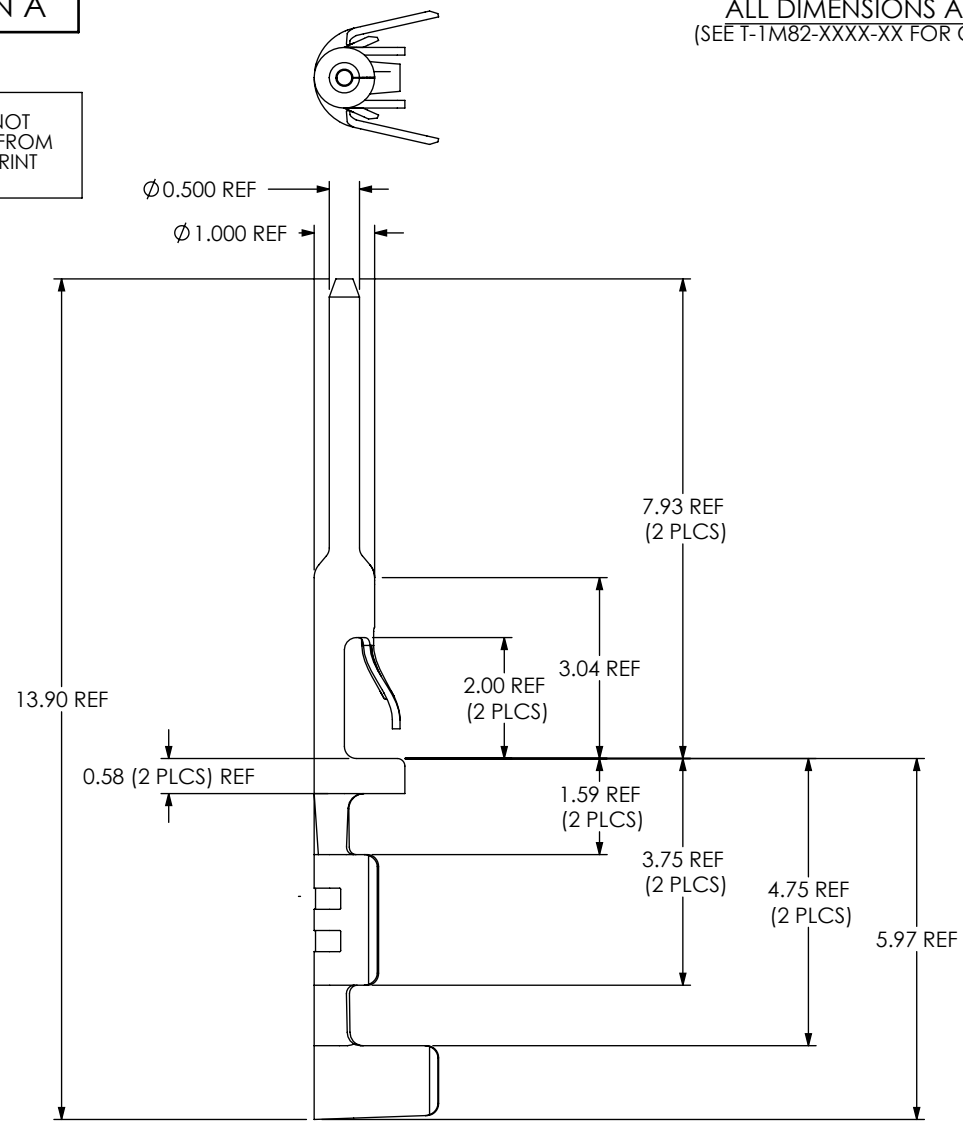
T1M82-X-XXXX-01-XX

DO NOT
SCALE FROM
THIS PRINT

SUPPLIED
-L: LOOSE
-R: REEL

LEAD STYLE
-2426: 24-26 AWG
-2830: 28-30 AWG

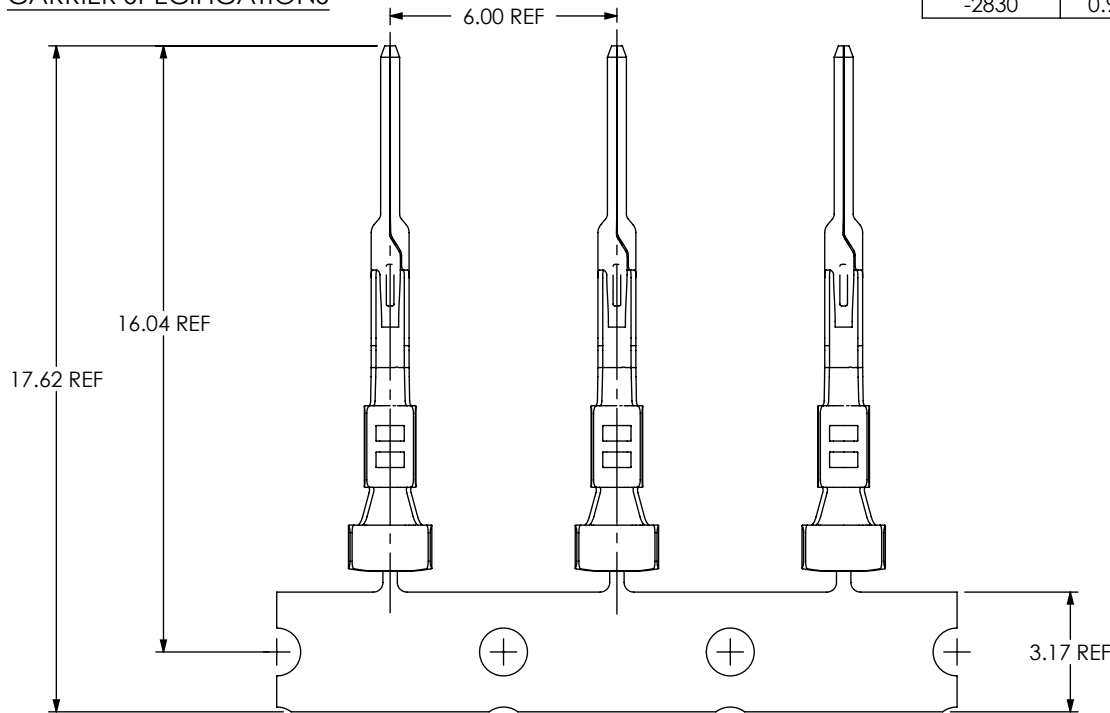
PLATING SPECIFICATION
-L: LIGHT SELECTIVE
-S: SELECTIVE
-F: FLASH SELECTIVE



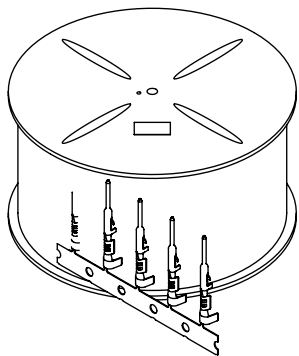
<p>UNLESS OTHERWISE SPECIFIED, DIMENSIONS ARE IN MILLIMETERS.</p>	<p>PROPRIETARY NOTE THIS DOCUMENT CONTAINS INFORMATION CONFIDENTIAL AND PROPRIETARY TO SAMTEC, INC. AND SHALL NOT BE REPRODUCED OR TRANSFERRED TO OTHER DOCUMENTS OR DISCLOSED TO OTHERS OR USED FOR ANY PURPOSE OTHER THAN THAT WHICH IT WAS OBTAINED WITHOUT THE EXPRESSED WRITTEN CONSENT OF SAMTEC, INC.</p>	<p>samtec 520 PARK EAST BLVD, NEW ALBANY, IN 47150 PHONE: 812-944-6733 FAX: 812-948-5047 e-Mail: info@SAMTEC.com code: 55322</p>
<p>DO NOT SCALE DRAWING</p>	<p>SHEET SCALE: 8:1</p>	<p>DESCRIPTION: 2mm C.L. DISCRETE WIRE TERMINAL DWG. NO. T1M82-X-XXXX-01-XX</p>
<p>F:\DWG\MISC\MKTG\T1M82-X-XXXX-01-XX-MKT.SLDDRW</p>		<p>BY: J. BORGELT 08-09-2010 SHEET 1 OF 2</p>

TABLE 1						
LEAD STYLE	"A"	"B"	"C"	"D"	"E"	"F"
-2426	1.36	1.04	2.21	2.06	2.54	4.92
-2830	0.96	0.87	1.37	1.45	1.98	3.28

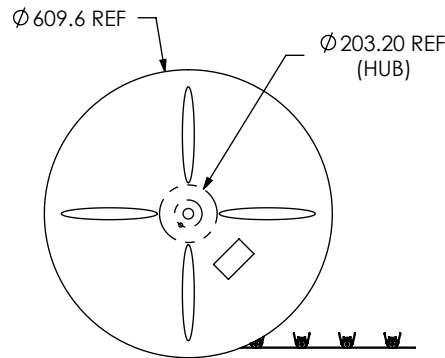
CARRIER SPECIFICATIONS



REEL SPECIFICATIONS



UNWINDING DIRECTION



PROPRIETARY NOTE

THIS DOCUMENT CONTAINS INFORMATION CONFIDENTIAL AND PROPRIETARY TO SAMTEC, INC. AND SHALL NOT BE REPRODUCED OR TRANSFERRED TO OTHER DOCUMENTS OR DISCLOSED TO OTHERS OR USED FOR ANY PURPOSE OTHER THAN THAT WHICH IT WAS OBTAINED WITHOUT THE EXPRESSED WRITTEN CONSENT OF SAMTEC, INC.

DO NOT SCALE DRAWING

SHEET SCALE: 8:1



520 PARK EAST BLVD, NEW ALBANY, IN 47150
 PHONE: 812-944-6733 FAX: 812-948-5047
 e-Mail: info@SAMTEC.com code: 55322

DESCRIPTION: 2mm C.L. DISCRETE WIRE TERMINAL

DWG. NO. T1M82-X-XXXX-01-XX

BY: J. BORGELT 08-09-2010 SHEET 2 OF 2

X-ON Electronics

Largest Supplier of Electrical and Electronic Components

Click to view similar products for [Headers & Wire Housings](#) category:

Click to view products by [Samtec](#) manufacturer:

Other Similar products are found below :

[95000-104TRLF](#) [10135584-644402LF](#) [DF62W-EP2022PCA](#) [95000-106TRLF](#) [DF62W-2022SCA](#) [DF62W-EP2022PC](#) [2203348](#) [DF62W-2022SC](#) [1084018](#) [1029039](#) [1084017](#) [802-10-012-10-002000](#) [1112640](#) [1112639](#) [891-007-9SS-BST1T](#) [000-34000](#) [0008550134](#) [0009482033](#) [0009507031](#) [57102-F02-18ULF](#) [57102-S06-03LF](#) [57202-S52-04LF](#) [PCN6-15S-2.5E](#) [0039019024](#) [58102-G61-06LF](#) [582553-1](#) [0009485154](#) [0009508121](#) [0022285053](#) [0050291907](#) [018731A](#) [LY20-4P-DT1-P1E-BR](#) [02.125.8002.8](#) [60101931](#) [60598-1 \(Cut Strip\)](#) [M1625-3R/100](#) [61062-3](#) [61082-181009](#) [CSU011177004](#) [636-1427](#) [638009-1](#) [641938-9](#) [641991-4](#) [644168-1](#) [644827-2](#) [647662-1](#) [65039-019ELF](#) [65692-001LF](#) [65781-018](#) [65781-047](#)