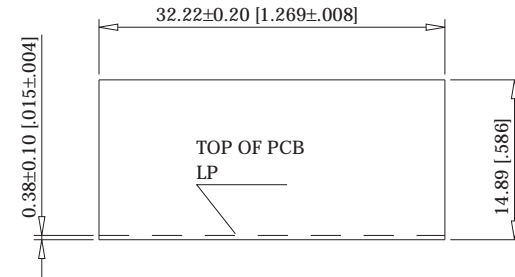


RECOMMENDED PANEL CUTOUT
EMPFOHLENER FRONTPLATTEN AUSSCHNITT



NOTE 1: ONE REAR SHIELD TAB CENTERED

NOTE 2: SIDE GROUND TAB REAR OF PEG 3.05 mm (R)

NOTE 3: PANEL GROUND FLANGES BOTH SIDES, BOTTOM AND TOP (GF5)

NO. IDENT. NR.	LED 2 LEFT LED 2 LINK	LED 1 RIGHT LED 1 RECHTE	LED CODE
203312	YELLOW	GREEN	L1
203313	GREEN	YELLOW	L2
203314	GREEN	GREEN	L3
203315	GREEN	RED	L4
203316	ORANGE/GREEN	ORANGE/GREEN	L9

MATERIALS AND FINISH

HOUSING: GLASS FILLED POLYESTER UL 94 V-0 BLACK

SHIELDING: Cu ALLOY, PLATED WITH Ni

CONTACTS: PHOSPHOR BRONZE

CONTACT FINISH: Au, 0.8 μm (30 μin) OVER Ni

TERMINAL FINISH: SnPb

LED LENS: EPOXY

MECHANICAL CHARACTERISTICS

DURABILITY: 1000 MATING CYCLES

ELECTRICAL CHARACTERISTICS

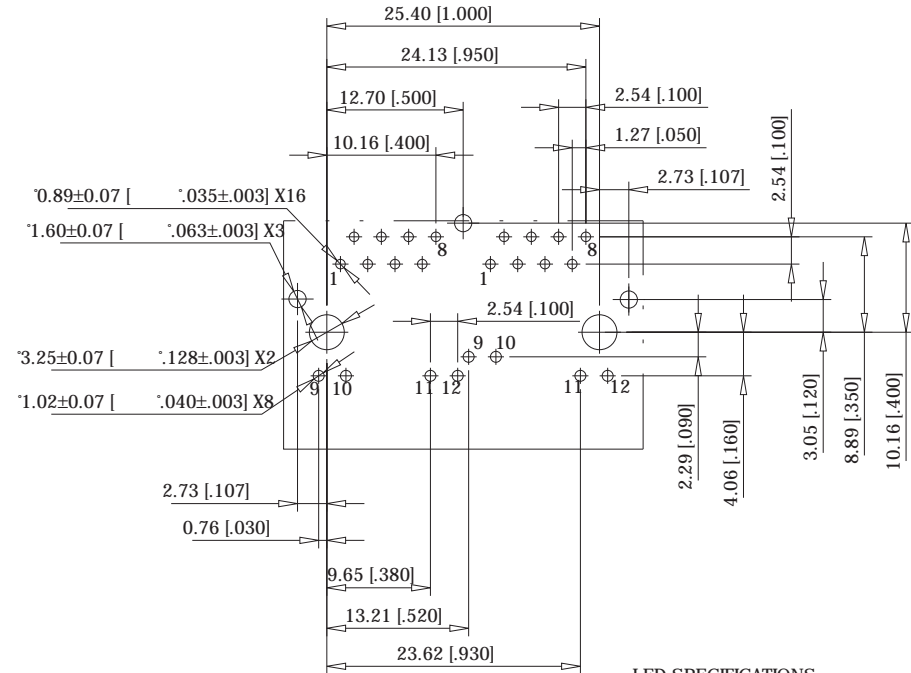
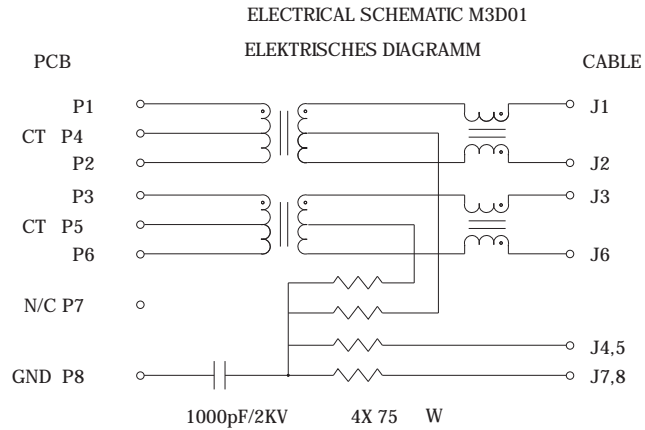
CONTACT RESISTANCE: 30 MILLIOHMS MAX

OPERATING TEMPERATURE: 0°C TO 70°C

Information:	Tolerances	Scale 2:1
	 All Dimensions in mm	
All rights reserved. Only for information. To insure that this is the latest version of this drawing, please contact one of the ERNI companies before using.	Subject to modification without prior notice. Drawing will not be updated.	Designation
		MOD JACK - MJJM 8C8T, 1X2, INT. MAG., LED
	www.ERNI.com	203311
Index	Date	MAXMJ

Consider protection memo from DN 34

RECOMMENDED PCB LAYOUT - COMPONENT SIDE VIEW
 EMPFOHLENER FUER LEITERPLATTE - BESTÜCKUNGSSEITE
 ALL TOLERANCES ±0.05 UNLESS NOTED



LED SPECIFICATIONS
 LED ANWEISUNG

MAGNETICS SPECIFICATIONS @ 25°C
 AUTO MDIX COMPATIBLE
 TURNS RATIO:
 (P1-P2 : J1-J2) 1CT : 1 ±3%
 (P3-P6 : J3-J6) 1CT : 1 ±3%
 OCL(100 KHz, 0.1 Vrms, 8 mA)
 (P1-P2 : P3-P6) 350µH MIN
 DCR (P1-P2, P3-P6) 0.9 OHMS MAX
 INSERTION LOSS:
 0.1-100 MHz -1.1 dB MAX
 RETURN LOSS:
 0.5 - 30 MHz: -18 dB MIN
 40 MHz: -15.5 dB MIN
 50 MHz -13.6 dB MIN
 60 - 80 MHz -12 dB MIN
 CROSSTALK:
 1-100 MHz -40 dB TYP
 CMR:
 0.1 - 30 MHz -50 dB TYP
 30 - 60 MHz -40 dB TYP
 60 - 100 MHz -35 dB TYP
 ISOLATION 1500 Vrms

COLOR FARBE	V _f TYP	V _f MAX	I _f mA	CIRCUIT DIAGRAM SCHALTSKIZZE
YELLOW	2.1	2.5	20	
GREEN	2.2	2.5	20	
RED	2.25	2.5	20	
ORANGE/GREEN	2.05/2.2	2.5	20	

Information:	Tolerances		Scale 2:1
SCHMATIC NO: M3D01	All Dimensions in mm		
All rights reserved. Only for information. To insure that this is the latest version of this drawing, please contact one of the ERNI companies before using.	Subject to modification without prior notice. Drawing will not be updated.		Designation
	www.ERNI.com		MOD JACK - MJJM 8C8T, 1X2, INT. MAG., LED
			203311
Index	Date		MAXMJ

Consider protection memo from DN 34

X-ON Electronics

Largest Supplier of Electrical and Electronic Components

Click to view similar products for [Modular Connectors](#) / [Ethernet Connectors](#) category:

Click to view products by [ERNI](#) manufacturer:

Other Similar products are found below :

[RJE231881317T](#) [MP1010RX-1000](#) [MP44RX-1000](#) [GAX-3-66](#) [GAX-8-62](#) [93606-0253](#) [GD-A-44](#) [GDCX-PA-66-50](#) [GDCX-PN-64](#) [GDCX-PN-66](#) [GDCX-PN-66-50](#) [GDLX-A-66](#) [GDLX-A-88](#) [GDLX-N-66](#) [GDLX-S-88K](#) [GDTX-S-88-50](#) [GDX-PA-1010](#) [GLX-A-44](#) [GLX-N-1010M-BLK](#) [GLX-N-44M](#) [GLX-S-88M-BLK](#) [GMX-N-1010](#) [GMX-S-1010](#) [GMX-S-66](#) [GMX-SMT2-N-1010](#) [GMX-SMT2-N-64-50](#) [GMX-SMT2-S6-88](#) [GMX-SMT4-N-88](#) [GPX-2-64](#) [GRT1-BT1-5](#) [GSGX-N-2-88](#) [GSX-NS2-88-3.05](#) [GSX-NS2-88-3.05-50](#) [GSX-NS-88-3.05-30](#) [GSX-NS-88-3.05-50](#) [GSX-NS-88-3.68](#) [1-1775629-2](#) [GWLX-S-88-GR](#) [GWLX-S9-88-YG](#) [1300500326](#) [1300500227](#) [1300530003](#) [1300570002](#) [1324640-4](#) [RJ11FTVC2G](#) [RJ11FTVC2N](#) [RJFTVX2SA1G](#) [132764-001](#) [1400000](#) [1413176](#)