

## AK300/..-5.0-GREY



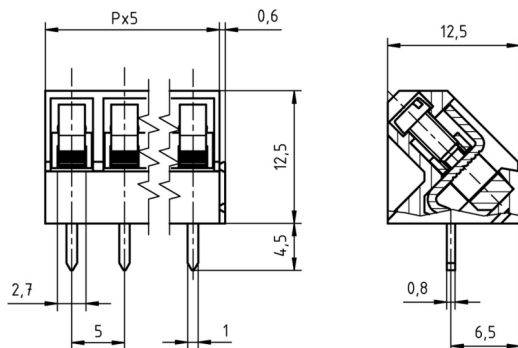
## Technical Data

Wire sizes		Insulating Material	
Solid min	0.14 mm <sup>2</sup>	Material	PA 6.6
Solid max	2.5 mm <sup>2</sup>	Flammability Class	UL 94 V-0
Stranded (flexible) min	0.14mm <sup>2</sup>	<b>Temperatures</b>	
Stranded (flexible) max	1.5 mm <sup>2</sup>	Operating Temperature	-30 °C - 105 °C
Stranded with Ferrule min	0.25 mm <sup>2</sup>	Store Temperature	-40 °C - 105 °C
Stranded with Ferrule max	1.5 mm <sup>2</sup>	<b>Wave Soldering Process</b>	
<b>Dimensions</b>		Soldering Temperature, recommended	265 °C
Stripped Length	7.0 mm	Peak Soldering Time, recommended	3-4 s
PCB Hole Diameter	1.3 mm	<b>Reflow Process</b>	
<b>Materials</b>		Soldering Temperature, recommended	-
Clamp	Brass	Peak Soldering Time, recommended	-
Screw	Steel		
Solder Tab	Copper Alloy		

## Colours

	GREY, RAL 7016
	GREEN, RAL 6018
	BLUE, RAL 5015

Colours according to RAL, there may be variations on colour due to production conditions. Special colours on request.



## Order Data (Spacing 5.0 mm)

Poles	Width (mm)	Article Designation	Article Number	PU
2	10.60	AK300/2-5.0-GREY	50300020041 F	200
3	15.60	AK300/3-5.0-GREY	50300030041 F	200
4	20.60	AK300/4-5.0-GREY	50300040041 F	200
5	25.60	AK300/5-5.0-GREY	50300050041 F	200
6	30.60	AK300/6-5.0-GREY	50300060041 F	200
7	35.60	AK300/7-5.0-GREY	50300070041 E	100
8	40.60	AK300/8-5.0-GREY	50300080041 E	100
9	45.60	AK300/9-5.0-GREY	50300090041 E	100
10	50.60	AK300/10-5.0-GREY	50300100041 D	50
11	55.60	AK300/11-5.0-GREY	50300110041 D	50
12	60.60	AK300/12-5.0-GREY	50300120041 D	50

## Accessoires

Figure	Designation	Article Number
	Bridge, 2-pole, insulated, BRI/2-5.0/5.08-LIGHT GREY	Art.-Nr. 50000000006
	Bridge, 3-pole, insulated, BRI/3-5.0/5.08-LIGHT GREY	Art.-Nr. 50000000007
	Bridge, 2-pole, BR/2-5.0/5.08-L7.0	Art.-Nr. 50000000008

See pages 282 ff for detail and general accessories and see pages 12/13 concerning services.

## Ratings

UseGroup	C <sup>RU</sup> US			VDE	
	B	C	D		
Rated Voltage	300 V	-	300 V	250 V	
Rated Current	15 A	-	10 A	24 A	
Rated Wire Size				min	max
- solid	AWG 22-12	-	AWG 22-12	0.5 mm <sup>2</sup>	2.5 mm <sup>2</sup>
-stranded	AWG 22-12	-	AWG 22-12	0.5 mm <sup>2</sup>	1.5 mm <sup>2</sup>
Torque	0.40 Nm	-	0.40 Nm	0.40 Nm	
Screw Size	M2.6	-	M2.6	M2.6	
Test Voltage	1.60 kV	-	1.60 kV	2.0 kV	

## X-ON Electronics

Largest Supplier of Electrical and Electronic Components

*Click to view similar products for [Pluggable Terminal Blocks](#) category:*

*Click to view products by [PTR](#) manufacturer:*

Other Similar products are found below :

[57.404.7553](#) [57.504.0053.7](#) [57.510.0053](#) [57.910.6153](#) [01.112.1453](#) [CTB932VE/6](#) [MC 1.5/ 6-ST-3.5 GY AU](#) [ET02015000J0G](#) [734-104](#) [734-302](#) [734-304](#) [8-141-P](#) [FKCT 2.5/ 3-ST KMGY](#) [860505](#) [860508](#) [860516](#) [860810](#) [861908](#) [GBPACX-12](#) [93.731.4953.0](#) [PV05-5,08-K](#) [PVP02-5,00](#) [PVP04-3,50](#) [PVS02-5,00](#) [1-1986160-3](#) [H-10](#) [1546228-5](#) [ELFH09150](#) [ELFH16150](#) [ELFP03110](#) [ELFT06250](#) [ELFT07250](#) [ELVF09400](#) [ELVP03100](#) [ELXH03100](#) [ELXH071G0E](#) [ELXP041G0](#) [ELXT046G0](#) [1700101](#) [1700410](#) [1700425](#) [1703176](#) [1705229](#) [1710175](#) [1714537](#) [1717806](#) [1719600](#) [1729386](#) [1734692](#) [1734795](#)