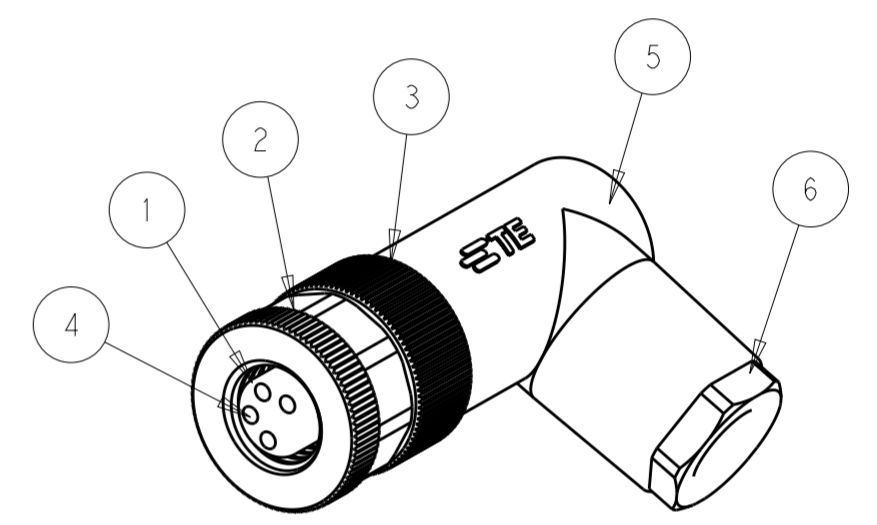
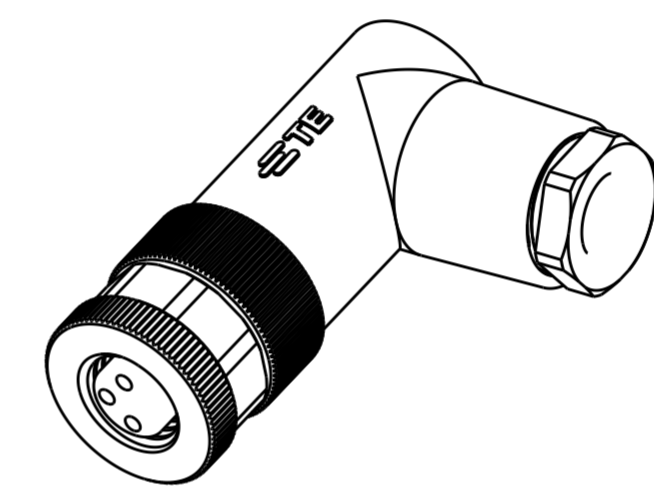
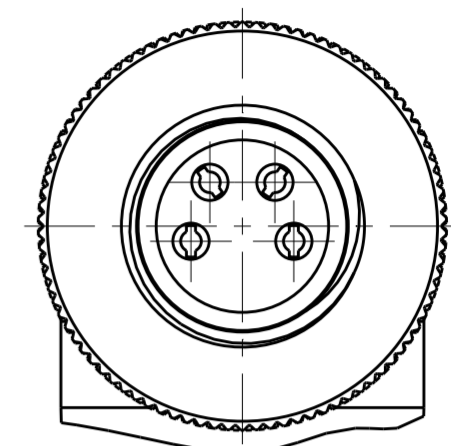
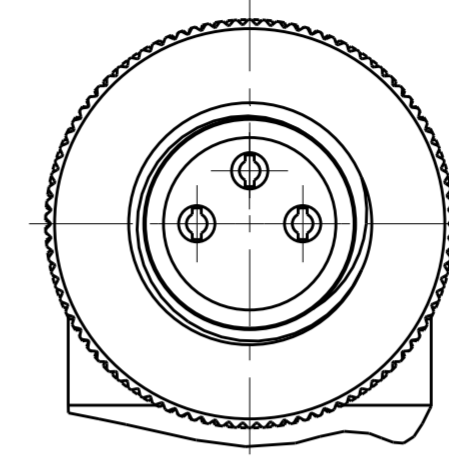
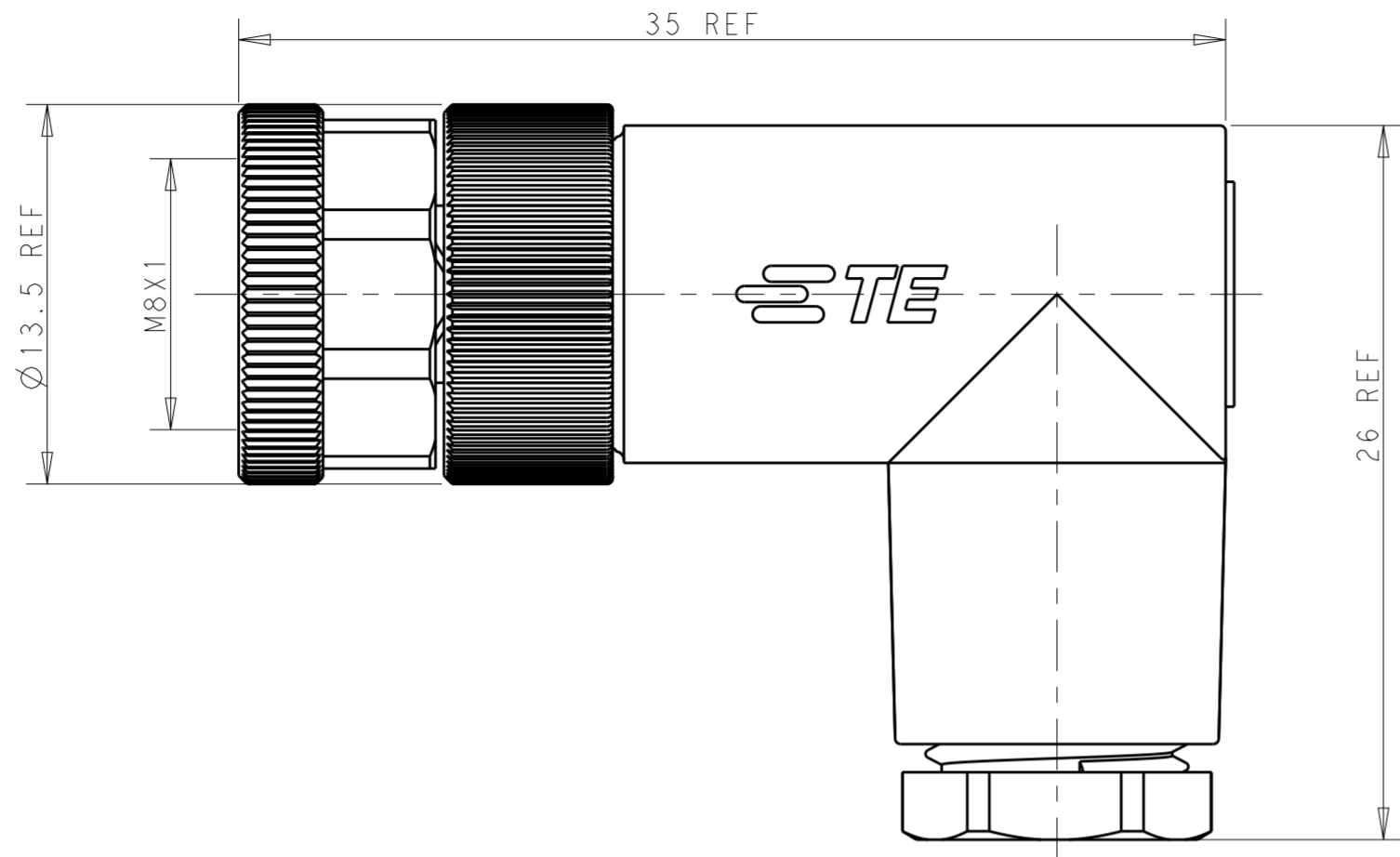


THIS DRAWING IS UNPUBLISHED. RELEASED FOR PUBLICATION 20
 © COPYRIGHT 20 BY - ALL RIGHTS RESERVED.

REVISIONS				
P	LTR	DESCRIPTION	DATE	APVD
A		INITIAL RELEASED	11APR2016	L.Z X.X
B		EC-16-011351 NEW REVISE	01JUL2016	L.Z X.X
B1		REVISED PER ECR-16-012993	19SEP2016	L.Z X.X



OPERATION TEMPERATURE	-40~85°C	-40~85°C
DEGREE OF PROTECTION	IP67	IP67
INSULATION RESISTANCE	>100MΩ	>100MΩ
RATED IMPULSE VOLTAGE	800V	1500V
MATERIAL GROUP	II	II
OVERVOLTAGE CATEGOYR	II	II
POLLUTION DEGREE	3	3
RATED CURRENT	3A	3A
RATED VOLTAGE	30V	60V
TECHNICAL DATA	T401200804X-000	T401200803X-000

NOTES;

- PARTS MATERIAL DATA:SEE TABLE
- CONTACT FINISH:
GOLD OVER NICKEL OR SILVER OVER NICKEL
- CABLE WIRES:
26AWG/0.14mm² Max & 24AWG/0.25mm² Max
- ALL DIMENSIONS ARE FOR NOMINAL REFERENCE ONLY UNLESS OTHERWISE STATE
- PACKAGIN: 1 PIECE IN A BAG
- PN INFORMATION FOR ASSEMBLY PARTS
T401200XXXX-000

- CONTACT FINISH:
1:GOLD OVER NICKEL
2:SILVER OVER NICKEL
- NUMBERS OFPINS:
03:3 PINS
04:4 PINS
...
- CABLE OUTLET:
8:PLASTIC/8(CABLE FEED:3.5~4.8mm)
9:METAL(CABLE FEED:3.5~5.0mm)
...

- 注意事项;
- 零件材料参见附表
 - 表面处理:镀金或镀银
 - 适用线材:26AWG/0.14mm² Max & 24AWG/0.25mm² Max
 - 所有尺寸标注为基本参考,除非其它说明
 - 包装:每BAG装1PC
 - 料号数字代码参考上表

T4012008042-000	RPC-M8-FR-4CON-PG7-M	OBSOLETE
T4012008041-000	RPC-M8-FR-4CON-PG7-MU	
T4012008032-000	RPC-M8-FR-3CON-PG7-M	OBSOLETE
T4012008031-000	RPC-M8-FR-3CON-PG7-MU	
TE PN	TYPE	

COMMENT	MATERIAL	DESCRIPTION	ITEM	OBSOLETE	OBSOLETE
-	PBT	PRESS SCREW	6	1	1
-	PBT	RIGHT ANGLE PLASTIC HOUSING	5	1	1
SILVER 80U"	BRASS	M8 SCTREW ASSY REC TERMINAL	4	4	-
GOLD 3U"				4	3
NICKEL 80U"	BRASS	M8 SCREW ASSY OUT SCREW	3	1	1
NICKEL 80U"	BRASS	M8,FEMALE INSERT NUT	2	1	1
BLACK	PA	M8,FEMALE HSG,A CODE,4PIN	1	1	-
		M8,FEMALE HSG,A CODE,3PIN		-	1
				4	4
				0	0
				0	0
				1	1
				2	2
				0	0
				0	0
				8	8
				0	0
				4	4
				2	2
				0	0
				0	0
				0	0
				0	0
				0	0

THIS DRAWING IS A CONTROLLED DOCUMENT.		DWN LEAR ZHANG 11APR2016	STE TE Connectivity	
		CHK KOBBY ZHAO 11APR2016		
		APVD XU XIANG 11APR2016	NAME M8 FEMALE SCREW ASSY RIGHT ANGLE UNSHIELDING CONNECTOR	
DIMENSIONS: mm		TOLERANCES UNLESS OTHERWISE SPECIFIED:	PRODUCT SPEC 108-106140	
		0 PLC ±- 1 PLC ±0.20 2 PLC ±0.20 3 PLC ±0.20 4 PLC ±- ANGLES ±- FINISH ±-	APPLICATION SPEC 114-137144-1	
MATERIAL			WEIGHT	RESTRICTED TO
			A2	
		CUSTOMER DRAWING	SCALE 2:1	SHEET 1 OF 1 REV B1

X-ON Electronics

Largest Supplier of Electrical and Electronic Components

Click to view similar products for [Circular Metric Connectors](#) category:

Click to view products by [TE Connectivity](#) manufacturer:

Other Similar products are found below :

[1424048](#) [1021212](#) [600X518037X](#) [6STD09SAM99B70X](#) [6STD15PCR99B70A](#) [8R4000A16M020](#) [1200910002](#) [1201150041](#) [1203580030](#)
[1200700064](#) [1200700263](#) [1200700416](#) [1200730102](#) [1200770002](#) [1-2823588-2](#) [130203-0054](#) [1300140026](#) [1300150099](#) [1-3637-600-5205](#)
[1545399](#) [1594331](#) [1600413](#) [1612606](#) [1612618](#) [1614660](#) [1A4000-348](#) [CA06EW24-10P-B-03](#) [21036836414](#) [2823064-1](#) [1610759](#) [A1642LK-](#)
[II-T](#) [1R3006A20M005](#) [41-01016](#) [41-40011](#) [41-40017](#) [42-00006](#) [42-01015](#) [4-22279-4](#) [4-22281-1](#) [4-22284-9](#) [43-00002](#) [43-00113](#) [43-00130](#)
[43-01028](#) [43-01034](#) [43-01088](#) [43-01090](#) [43-01203](#) [43-01209](#) [43-01335](#)