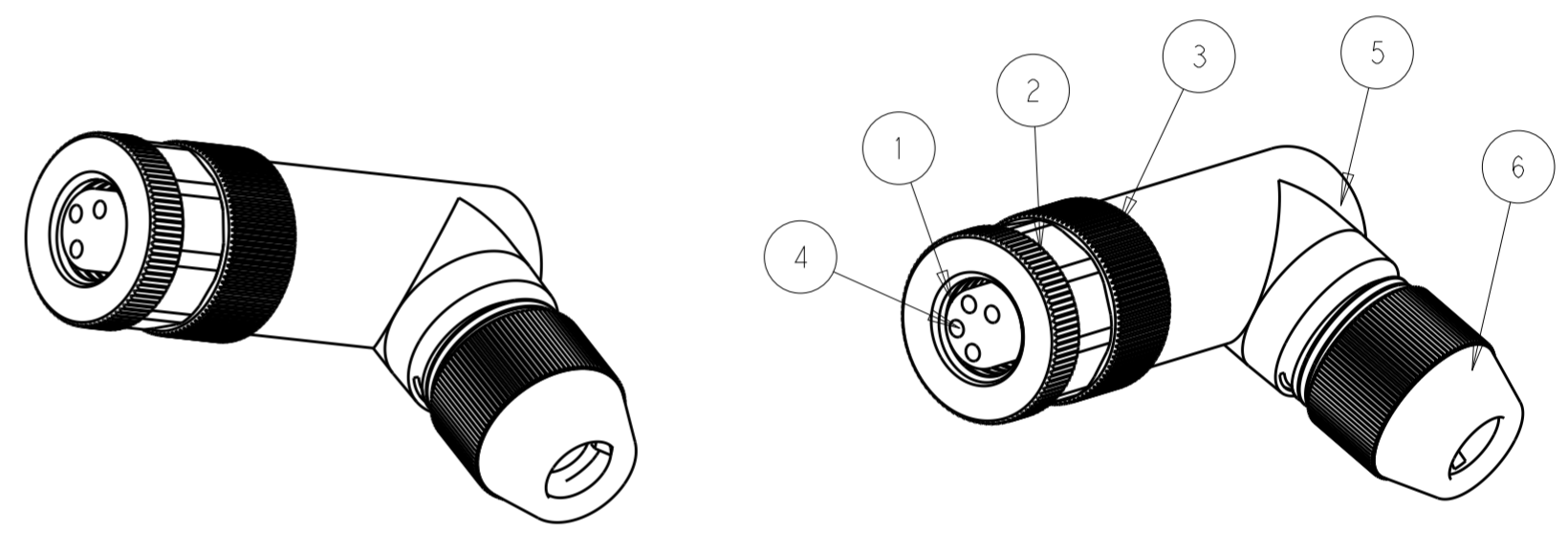
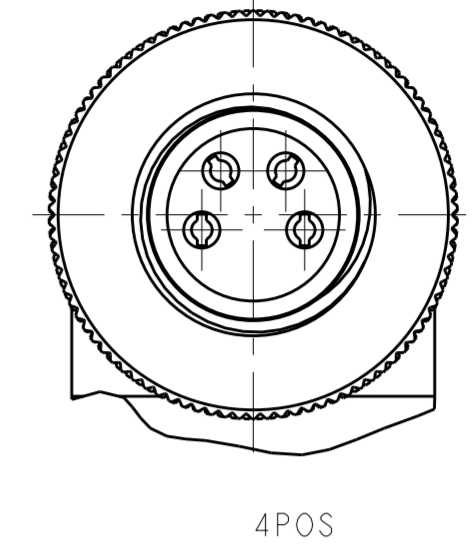
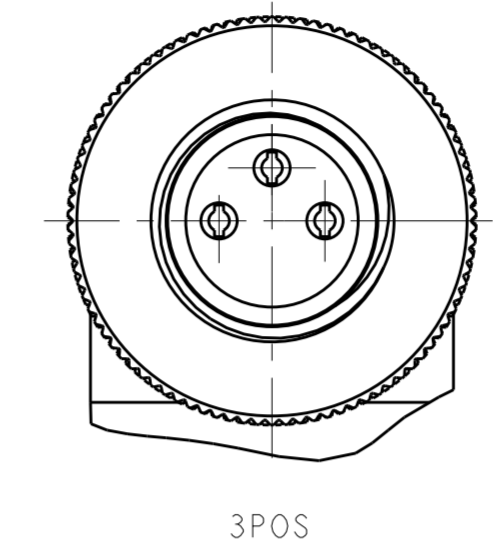
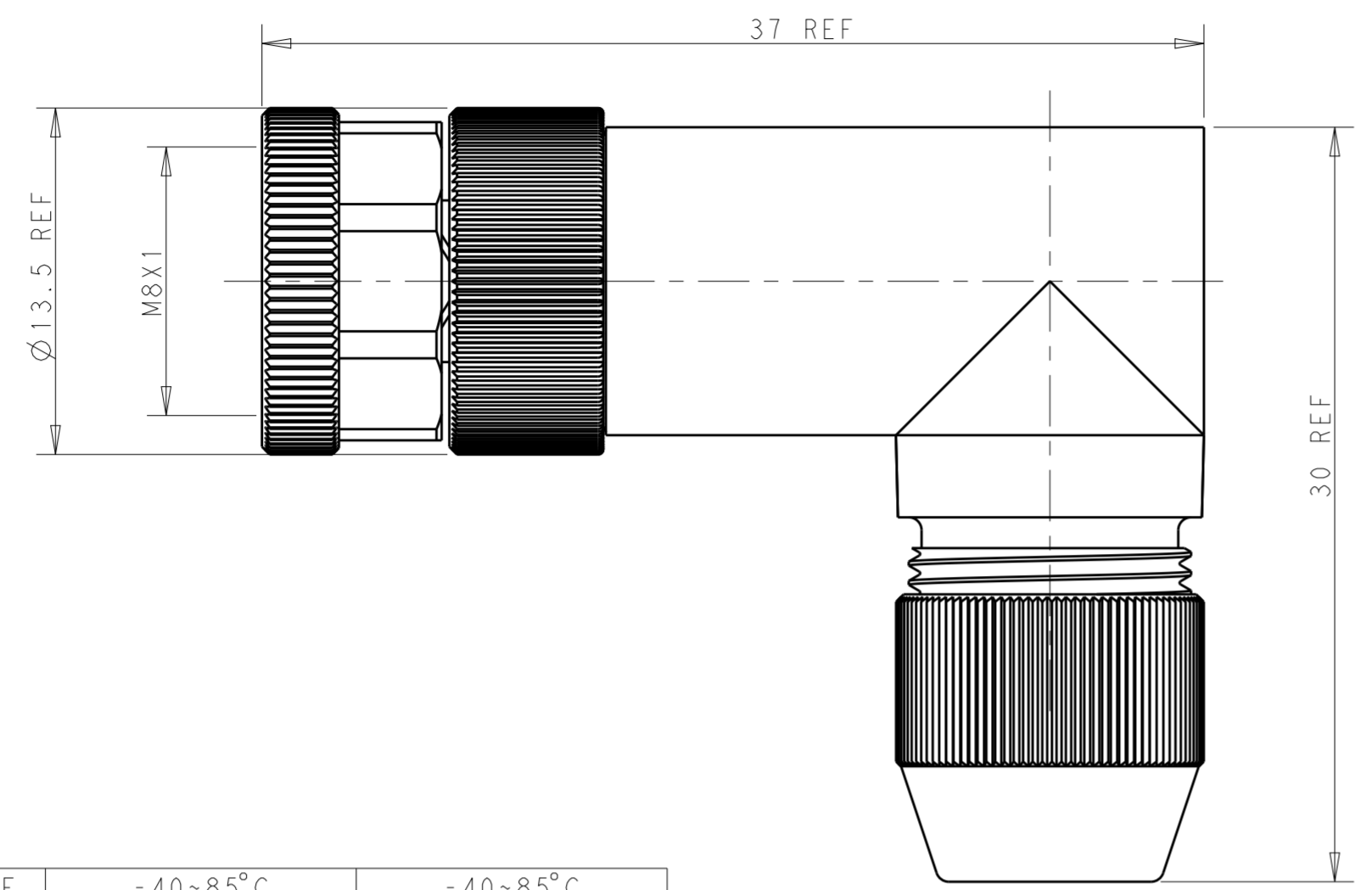


THIS DRAWING IS UNPUBLISHED. RELEASED FOR PUBLICATION 20
 © COPYRIGHT 20 BY - ALL RIGHTS RESERVED.

REVISIONS				
P	LTR	DESCRIPTION	DATE	APVD
A		INITIAL RELEASED	11APR2016	L.Z X.X
B		EC-16-011351 NEW REVISE	01JUL2016	L.Z X.X
B1		REVISED PER ECR-16-012993	19SEP2016	L.Z X.X



OPERATION TEMPERATURE	-40~85°C	-40~85°C
DEGREE OF PROTECTION	IP67	IP67
INSULATION RESISTANCE	>100MΩ	>100MΩ
RATED IMPULSE VOLTAGE	800V	1500V
MATERIAL GROUP	II	II
OVERVOLTAGE CATEGOYR	II	II
POLLUTION DEGREE	3	3
RATED CURRENT	3A	3A
RATED VOLTAGE	30V	60V
TECHNICAL DATA	T401201904X-000	T401201903X-000

- NOTES;
 1.PARTS MATERIAL DATA:SEE TABLE
 2.CONTACT FINISH:
 GOLD OVER NICKEL OR SILVER OVER NICKEL
 3.CABLE WIRES:
 26AWG/0.14mm² Max & 24AWG/0.25mm² Max
 4.ALL DIMENSIONS ARE FOR NOMINAL REFERENCE ONLY UNLESS OTHERWISE STATE
 5.PACKAGIN: 1 PIECE IN A BAG
 6.PN INFORMATION FOR ASSEMBLY PARTS
 T401201XXXX-000

- CONTACT FINISH:
 1:GOLD OVER NICKEL
 2:SILVER OVER NICKEL
 NUMBERS OFPINS:
 03:3 PINS
 04:4 PINS
 ...
 CABLE OUTLET:
 8:PLASTIC(CABLE FEED: 3.5~4.8mm)
 9:METAL(CABLE FEED: 3.5~5.0mm)
 ...

- 注意事项;
 1. 零件材料参见附表
 2. 表面处理: 镀金或镀银
 3. 适用线材: 26AWG/0.14mm² Max & 24AWG/0.25mm² Max
 4. 所有尺寸标注为基本参考, 除非其它说明
 5. 包装: 每BAG装1PC
 6. 料号数字代码参考上表

T4012019042-000	RPC-M8-FR-4CON-PG7-SH	OBSOLETE
T4012019041-000	RPC-M8-FR-4CON-PG7-SHU	
T4012019032-000	RPC-M8-FR-3CON-PG7-SH	OBSOLETE
T4012019031-000	RPC-M8-FR-3CON-PG7-SHU	
TE PN	TYPE	

COMMENT	MATERIAL	DESCRIPTION	ITEM	OBSOLETE	OBSOLETE
	NICKEL	BRASS	PRESS SCREW	6	1 1 1
	NICKEL	BRASS	RIGHT ANGLE METAL HOUSING	5	1 1 1
	SILVER 80U"	BRASS	M8 SCTREW ASSY REC TERMINAL	4	4 - 3 -
	GOLD 3U"				4 - 3
	NICKEL 80U"	BRASS	M8 SCREW ASSY OUT SCREW	3	1 1 1
	NICKEL 80U"	BRASS	M8,FEMALE INSERT NUT	2	1 1 1
	BLACK	PA	M8,FEMALE HSG,A CODE, 4PIN	1	1 - -
			M8,FEMALE HSG,A CODE, 3PIN		- - 1
					4 4 4 4
					0 0 0 0
					1 1 1 1
					2 2 2 2
					0 0 0 0
					1 1 1 1
					4 4 4 4
					2 2 2 2
					0 0 0 0
					0 0 0 0
					0 0 0 0

THIS DRAWING IS A CONTROLLED DOCUMENT.		DWN LEAR ZHANG 11APR2016	TE Connectivity
DIMENSIONS: mm		CHK KOBBY ZHAO 11APR2016	
TOLERANCES UNLESS OTHERWISE SPECIFIED:		APVD XU XIANG 11APR2016	
0 PLC ± 1 PLC ±0.20 2 PLC ±0.20 3 PLC ±0.20 4 PLC ± ANGLES ± FINISH ±		PRODUCT SPEC 108-106140	NAME M8 FEMALE SCREW ASSY RIGHT ANGLE SHIELDING CONNECTOR
MATERIAL		APPLICATION SPEC 114-137144-1	SIZE A2
		WEIGHT	CAGE CODE
		CUSTOMER DRAWING	DRAWING NO G-T40120190XX000
		SCALE 2:1	RESTRICTED TO
		SHEET 1 OF 1	REV B1

X-ON Electronics

Largest Supplier of Electrical and Electronic Components

Click to view similar products for te connectivity manufacturer:

Other Similar products are found below :

[570416-000](#) [CLTEQ-M81CE-SSRELAY-4-20V](#) [4-1633138-8](#) [D38999/24FJ4AN](#) [4-1195131-0](#) [650069-000](#) [SMD100-2](#) [2EDL4CM](#)
[DTS20W19-11PD-3028](#) [DTS20W19-11PD-3028-LC](#) [DTS20W19-32SD-3028-LC](#) [DTS20W19-32SD-3028](#) [NC6-P104-06](#) [TXR64AB90-](#)
[3616AI](#) [DTS26F21-41HE](#) [DTS26F21-41AE](#) [DTS26F21-41PE-LC](#) [DTS26F21-11SE-3028-LC](#) [D38999/24WF32JE](#) [D38999/24WF32SE-LC](#)
[DTS24W19-32HE](#) [D38999/20JB35HA](#) [D38999/24WJ20PA](#) [164-8033-08](#) [D38999/24FF32JE](#) [D38999/24FF32SE-LC](#) [D38999/24WF32JB](#)
[D38999/24WG11HA](#) [D38999/24WG11HN](#) [MS27467T21F11H](#) [DJT16E21-11HA](#) [DTS24F19-32HE](#) [DTS20W19-32SA-3028-LC](#) [DTS24F19-](#)
[11SC-3028-LC](#) [DTS24F19-11SC-3028](#) [DJT14E13-98HB](#) [D38999/20WC8BB](#) [1-330599-5](#) [DTS24F21-41HN-LC](#) [DTS24F21-41HN](#)
[DTS24F21-41AN](#) [DTS24F21-39HN](#) [DTS24F21-41PN-LC](#) [AFD50-10-6SN-1A-LC](#) [DJT10F17-26HC](#) [DTS24W19-32HB](#) [ACT20JE99HA](#)
[DJT10E17-26HC](#) [DJT10E17-26HN](#) [DJT10F17-26HA](#)