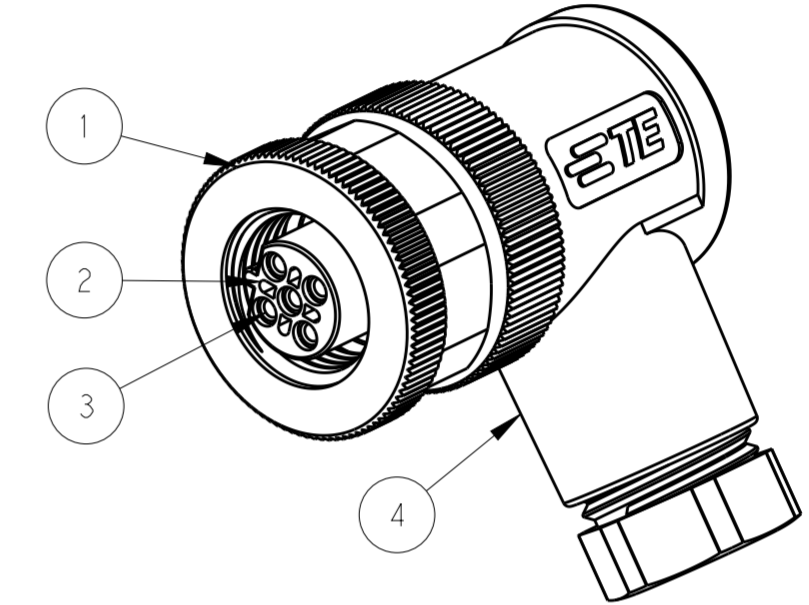
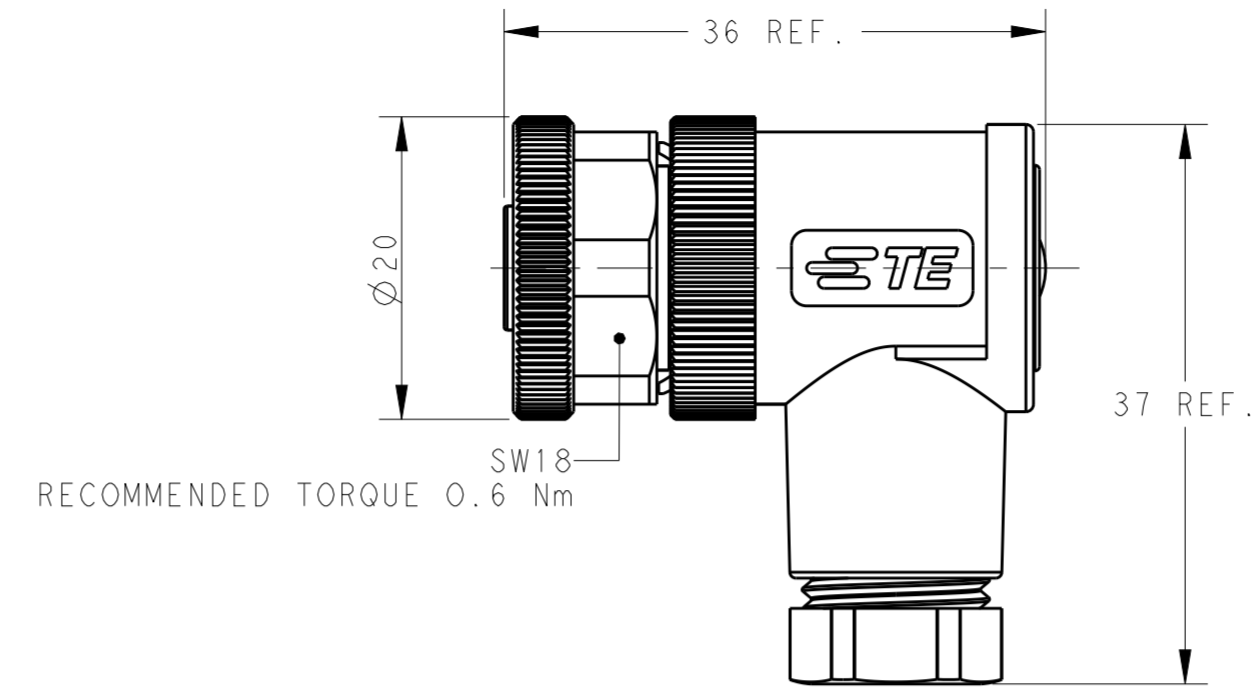
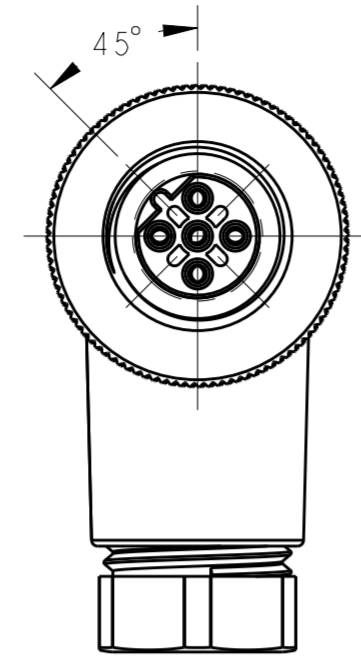


THIS DRAWING IS UNPUBLISHED. RELEASED FOR PUBLICATION 20  
 © COPYRIGHT 20 BY - ALL RIGHTS RESERVED.

REVISIONS				
P	LTR	DESCRIPTION	DATE	APVD
A		INITIAL RELEASE	27JUL2015	NP XX
A1		ECR-15-018715 ADD 114 SPEC.	29DEC2015	NP XX



TECHNICAL DATA	T411240X02X-000	T411240X03X-000	T411240X04X-000	T411240X05X-000
RATED VOLTAGE	250V	250V	250V	60V
RATED CURRENT	4A	4A	4A	4A
POLLUTION DEGREE	3	3	3	3
OVERVOLTAGE CATEGORY	II	II	II	II
MATERIAL GROUP	II	II	II	II
CONTACT RESISTANCE	≤8mΩ	≤8mΩ	≤8mΩ	≤8mΩ
INSULATION RESISTANCE	>100MΩ	>100MΩ	>100MΩ	>100MΩ
DEGREE OF PROTECTION	IP67	IP67	IP67	IP67
OPERATION TEMPERATURE	-40~85°C	-40~85°C	-40~85°C	-40~85°C

- NOTE:
- MATERIAL:
    - ITEM NO.1:NUT -BRASS
    - ITEM NO.2:HOUSING -PA
    - ITEM NO.3:CONTACT -BRONZE
    - ITEM NO.4: HOUSING BODY: -PBT+GF
  - CONTACT FINISH: GOLD OVER NICKEL OR SILVER OVER NICKEL
  - CABLE WIRES: 18AWG/0.75mm<sup>2</sup> Max. FOR 2-5 PINS
  - ALLDIMENSIONS ARE FOR NOMINAL REFERENCE ONLY UNLESS OTHERWISE STATED
  - PACKAGEING: IPIECE IN A BAG
  - PN INFORMATION

PIN ARRANGEMENT B-CODE		
T411240X02X-000	T411240X03X-000	T411240X04X-000
T411240X05X-000		

T4112402051-000	RPC-M12B-FR-5CON-PG9-MU
T4112401051-000	RPC-M12B-FR-5CON-PG7-MU
T4112402052-000	RPC-M12B-FR-5CON-PG9-M
T4112401052-000	RPC-M12B-FR-5CON-PG7-M
T4112402041-000	RPC-M12B-FR-4CON-PG9-MU
T4112401041-000	RPC-M12B-FR-4CON-PG7-MU
T4112402042-000	RPC-M12B-FR-4CON-PG9-M
T4112401042-000	RPC-M12B-FR-4CON-PG7-M
T4112402031-000	RPC-M12B-FR-3CON-PG9-MU
T4112401031-000	RPC-M12B-FR-3CON-PG7-MU
T4112402032-000	RPC-M12B-FR-3CON-PG9-M
T4112401032-000	RPC-M12B-FR-3CON-PG7-M
T4112402021-000	RPC-M12B-FR-2CON-PG9-MU
T4112401021-000	RPC-M12B-FR-2CON-PG7-MU
T4112402022-000	RPC-M12B-FR-2CON-PG9-M
T4112401022-000	RPC-M12B-FR-2CON-PG7-M
TE PN	TYPE

T411240XXXX-000

CONTACT FINISH:  
 1: GOLD OVER NICKEL  
 2: SILVER OVER NICKEL

NUMBERS OF PINS:  
 02: 2 PINS  
 03: 3 PINS  
 04: 4 PINS  
 05: 5 PINS  
 08: 8 PINS

CABLE OUTLET:  
 1: PG7(CABLE FEED: 4-6mm)  
 2: PG9(CABLE FEED: 6-8mm)

BRAND:  
 T: W/ TE LOGO  
 N: W/O LOGO

THIS DRAWING IS A CONTROLLED DOCUMENT.		DWN HAO WANG 08JAN2015	TE Connectivity	
		CHK KOBBY ZHAO 08JAN2015		
		APVD XIANG XU 08JAN2015	NAME M12 FEMALE, B CODE, RA UNSHIELDED CONNECTOR SCREW TERMINAL	
DIMENSIONS: mm		TOLERANCES UNLESS OTHERWISE SPECIFIED: 0 PLC ±0.2 1 PLC ±0.2 2 PLC ±0.2 3 PLC ± 4 PLC ± ANGLES ± FINISH -	PRODUCT SPEC 108-106140	SIZE A2
MATERIAL TBD		APPLICATION SPEC 114-137144	CAGE CODE -	DRAWING NO. C-T411240XXXX000
		WEIGHT -	RESTRICTED TO -	SCALE 2:1 SHEET 1 OF 1 REV A1
		CUSTOMER DRAWING		

## X-ON Electronics

Largest Supplier of Electrical and Electronic Components

*Click to view similar products for [Circular Metric Connectors](#) category:*

*Click to view products by [TE Connectivity](#) manufacturer:*

Other Similar products are found below :

[1424048](#) [1021212](#) [600X518037X](#) [6STD09SAM99B70X](#) [6STD15PCR99B70A](#) [8R4000A16M020](#) [1200910002](#) [1201150041](#) [1203580030](#)  
[1200700064](#) [1200700263](#) [1200700416](#) [1200730102](#) [1200770002](#) [1-2823588-2](#) [130203-0054](#) [1300140026](#) [1300150099](#) [1-3637-600-5205](#)  
[1545399](#) [1594331](#) [1600413](#) [1612606](#) [1612618](#) [1614660](#) [1A4000-348](#) [CA06EW24-10P-B-03](#) [21036836414](#) [2823064-1](#) [1610759](#) [A1642LK-](#)  
[II-T](#) [1R3006A20M005](#) [41-01016](#) [41-40011](#) [41-40017](#) [42-00006](#) [42-01015](#) [4-22279-4](#) [4-22281-1](#) [4-22284-9](#) [43-00002](#) [43-00113](#) [43-00130](#)  
[43-01028](#) [43-01034](#) [43-01088](#) [43-01090](#) [43-01203](#) [43-01209](#) [43-01335](#)