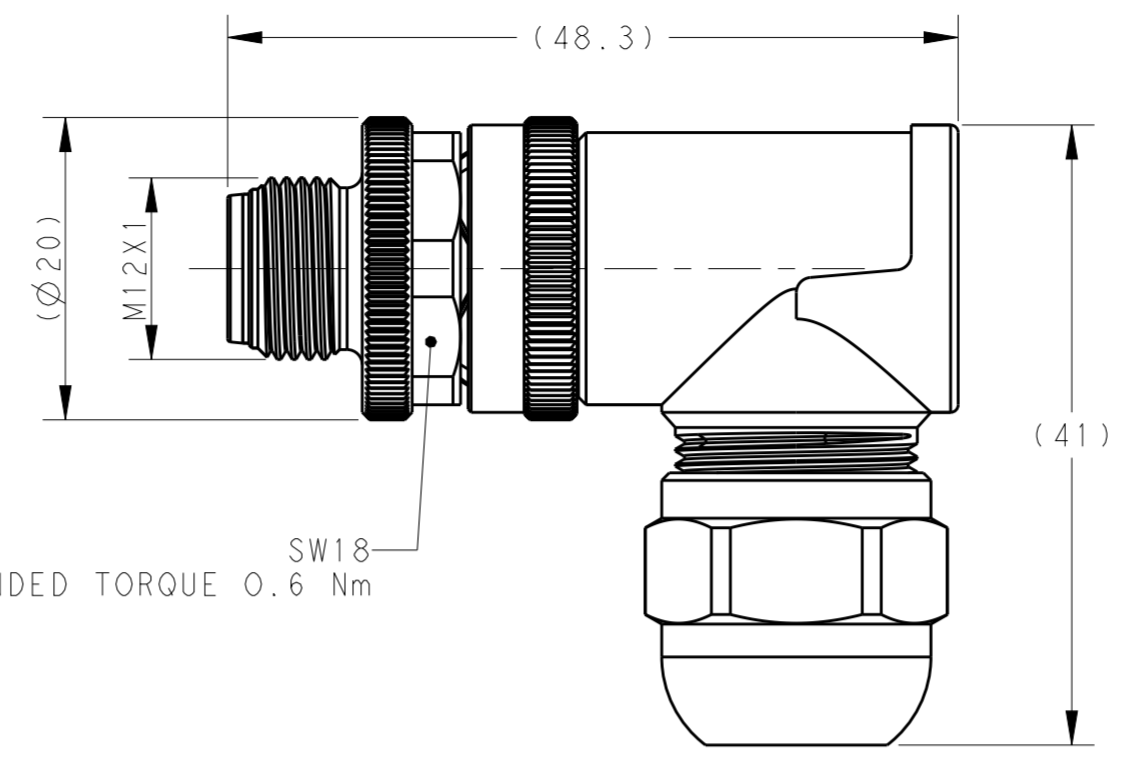
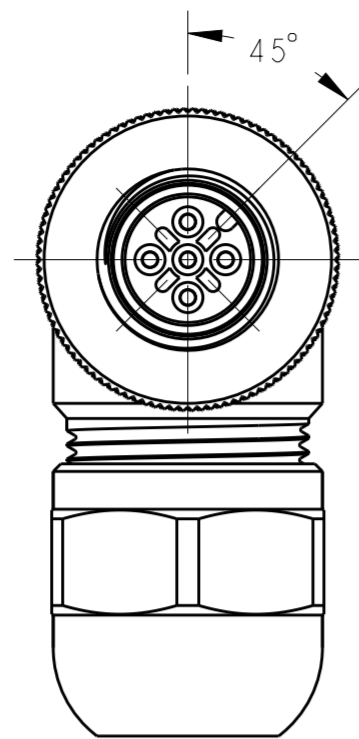
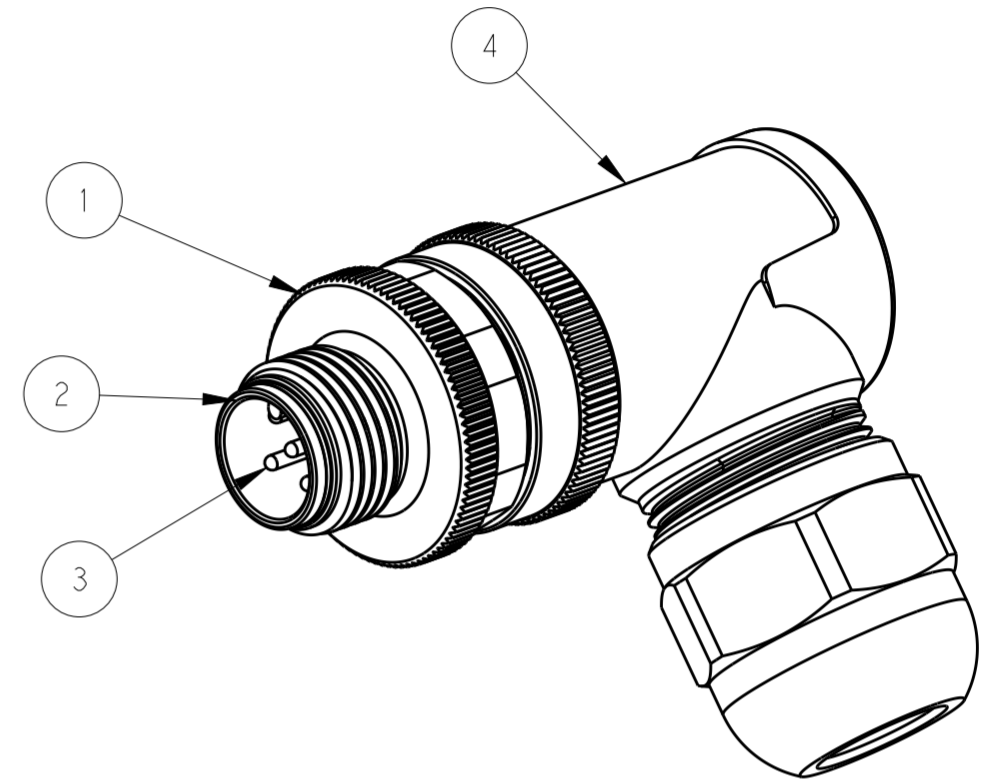


THIS DRAWING IS UNPUBLISHED. RELEASED FOR PUBLICATION 20
 © COPYRIGHT 20 BY - ALL RIGHTS RESERVED.

REVISIONS					
P	LTR	DESCRIPTION	DATE	DWN	APVD
A		INITIAL RELEASE	25SEP2015	N.P	X.X
A1		ECR-16-013861	16OCT2016	N.P	X.X
A2		ECR-16-016026	14NOV2016	N.P	X.X



SW18
 RECOMMENDED TORQUE 0.6 Nm



TECHNICAL DATA	T411301X02X-000	T411301X03X-000	T411301X04X-000	T411301X05X-000	T411301X08X-000
RATED VOLTAGE	250V	250V	250V	60V	30V
RATED CURRENT	4A	4A	4A	4A	2A
POLLUTION DEGREE	3	3	3	3	3
OVERVOLTAGE CATEGORY	II	II	II	II	II
MATERIAL GROUP	II	II	II	II	II
CONTACT RESISTANCE	≤8mΩ	≤8mΩ	≤8mΩ	≤8mΩ	≤8mΩ
INSULATION RESISTANCE	>100MΩ	>100MΩ	>100MΩ	>100MΩ	>100MΩ
DEGREE OF PROTECTION	IP67	IP67	IP67	IP67	IP67
OPERATION TEMPERATURE	-40~85°C	-40~85°C	-40~85°C	-40~85°C	-40~85°C

NOTE:
 1. MATERIAL:
 ITEM NO.1: NUT -BRASS
 ITEM NO.2: HOUSING -PA
 ITEM NO.3: CONTACT -BRASS
 ITEM NO.4: HOUSING BODY: -BRASS
 2. CONTACT FINISH:
 GOLD OVER NICKEL OR SILVER OVER NICKEL
 3. CABLE WIRES:
 18AWG/0.75mm² Max. FOR 2-5 PINS
 20AWG/0.50mm² Max. FOR 8 PINS
 4. ALLDIMENSIONS ARE FOR NOMINAL REFERENCE ONLY UNLESS OTHERWISE STATED
 5. PACKAGING: IPIECE IN A BAG
 6. PN INFORMATION

PIN ARRANGEMENT A-CODE		
T411301X02X-000	T411301X03X-000	T411301X04X-000

T4113012081-000	RPC-M12-MR-8CON-PG9-SHU
T4113011081-000	RPC-M12-MR-8CON-PG7-SHU
T4113012082-000	RPC-M12-MR-8CON-PG9-SH
T4113011082-000	RPC-M12-MR-8CON-PG7-SH
T4113012051-000	RPC-M12-MR-5CON-PG9-SHU
T4113011051-000	RPC-M12-MR-5CON-PG7-SHU
T4113012052-000	RPC-M12-MR-5CON-PG9-SH
T4113011052-000	RPC-M12-MR-5CON-PG7-SH
T4113012041-000	RPC-M12-MR-4CON-PG9-SHU
T4113011041-000	RPC-M12-MR-4CON-PG7-SHU
T4113012042-000	RPC-M12-MR-4CON-PG9-SH
T4113011042-000	RPC-M12-MR-4CON-PG7-SH
T4113012031-000	RPC-M12-MR-3CON-PG9-SHU
T4113011031-000	RPC-M12-MR-3CON-PG7-SHU
T4113012032-000	RPC-M12-MR-3CON-PG9-SH
T4113011032-000	RPC-M12-MR-3CON-PG7-SH
T4113012021-000	RPC-M12-MR-2CON-PG9-SHU
T4113011021-000	RPC-M12-MR-2CON-PG7-SHU
T4113012022-000	RPC-M12-MR-2CON-PG9-SH
T4113011022-000	RPC-M12-MR-2CON-PG7-SH
TE PN	TYPE

T411301XXXX-000
 CONTACT FINISH:
 1: GOLD OVER NICKEL
 2: SILVER OVER NICKEL
 NUMBERS OF PINS:
 02: 2 PINS
 03: 3 PINS
 04: 4 PINS
 05: 5 PINS
 08: 8 PINS
 CABLE OUTLET:
 1: PG7(CABLE FEED: 4-6mm)
 2: PG9(CABLE FEED: 6-8mm)

THIS DRAWING IS A CONTROLLED DOCUMENT.		DWN Nick Pan 24AUG2015	TE Connectivity	
		CHK Kobby Zhao 24AUG2015		
DIMENSIONS: mm		APVD Xiang Xu 24AUG2015	NAME M12 MALE, RA, SHIELDED CONNECTOR A CODE, SCREW TERMINAL	
TOLERANCES UNLESS OTHERWISE SPECIFIED:		PRODUCT SPEC 108-106140	SIZE A2	
0 PLC ±		APPLICATION SPEC 114-137144	CAGE CODE -	
1 PLC ±0.25		WEIGHT -	DRAWING NO. C-T411301XXXX000	
2 PLC ±0.15		RESTRICTED TO -		
3 PLC ±		SCALE 2:1 SHEET 1 OF 1 REV A2		
4 PLC ±				
ANGLES ±				
FINISH -				
MATERIAL -		Customer Drawing		

X-ON Electronics

Largest Supplier of Electrical and Electronic Components

Click to view similar products for [Circular Metric Connectors](#) category:

Click to view products by [TE Connectivity](#) manufacturer:

Other Similar products are found below :

[1424048](#) [1021212](#) [600X518037X](#) [6STD09SAM99B70X](#) [6STD15PCR99B70A](#) [8R4000A16M020](#) [1200910002](#) [1201150041](#) [1203580030](#)
[1200700064](#) [1200700263](#) [1200700416](#) [1200730102](#) [1200770002](#) [1-2823588-2](#) [130203-0054](#) [1300140026](#) [1300150099](#) [1-3637-600-5205](#)
[1545399](#) [1594331](#) [1600413](#) [1612606](#) [1612618](#) [1614660](#) [1A4000-348](#) [CA06EW24-10P-B-03](#) [21036836414](#) [2823064-1](#) [1610759](#) [A1642LK-](#)
[II-T](#) [1R3006A20M005](#) [41-01016](#) [41-40011](#) [41-40017](#) [42-00006](#) [42-01015](#) [4-22279-4](#) [4-22281-1](#) [4-22284-9](#) [43-00002](#) [43-00113](#) [43-00130](#)
[43-01028](#) [43-01034](#) [43-01088](#) [43-01090](#) [43-01203](#) [43-01209](#) [43-01335](#)