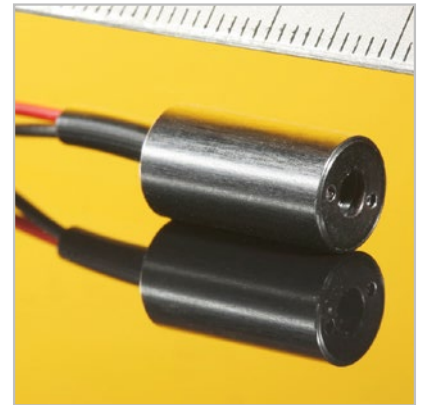


FLEXPOINT® Laser Diode Modules: The FP-Mini Series

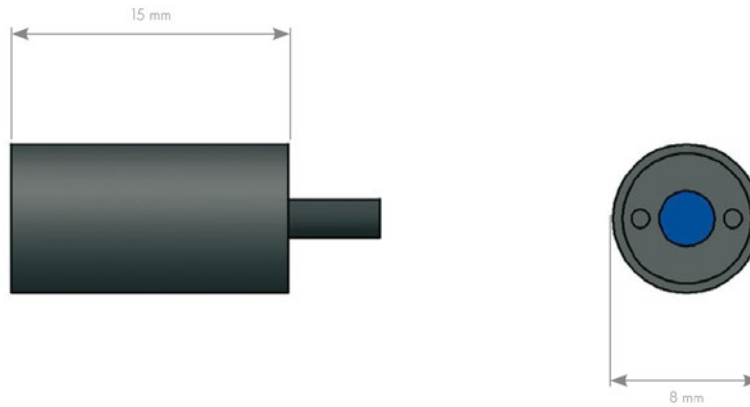
Smallest Design – Highest Quality

The FLEXPOINT® laser diode module FP-Mini-series is characterized by an extremely small design. This allows the modules to be integrated into systems with practically no available space. The modules are equipped with a variable lens that can be adjusted to focus or collimate a laser beam. The FP-Mini-series is available at two different power levels.

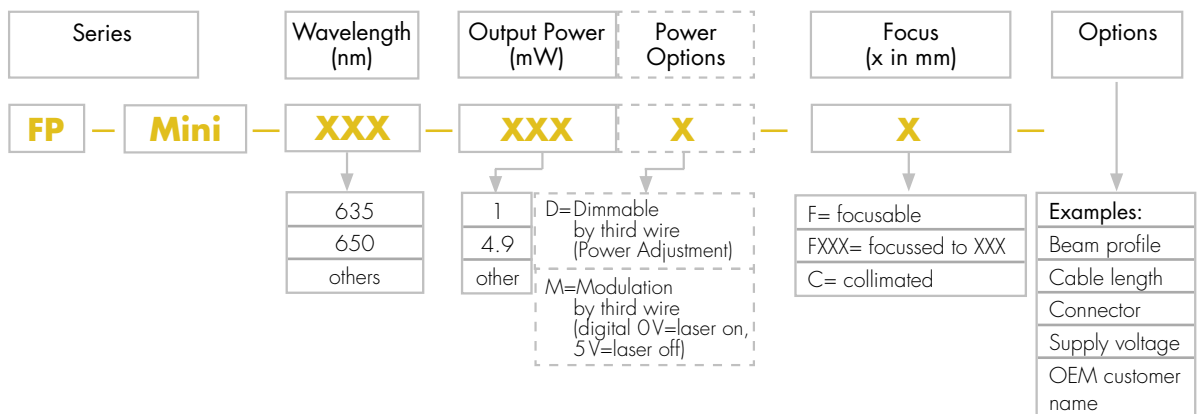


Specifications:

Beam profile	Dot laser
Wavelength	635 nm / 650 nm
Output power	1 mW or 4.9 mW
Power stability	< 5%
Beam diameter at output	Approx. 2.5 mm x 0.8 mm, focusable
Divergence	< 1.5 mrad
Supply voltage	4.5 – 6 VDC
Power consumption	< 50 mA
Dimensions	15 mm x 8 mm (l x Ø)
Housing	Aluminum, black anodized, potential-free
Length of wires	500 mm
Protection circuits	Surge, voltage peak, and reverse voltage protection
Operating temperature	0°C - 50°C (635 nm: 0°C - 40°C)
Storage temperature	-10°C - 85°C
Options	Analog or digital modulation up to 10 kHz Power adjustment using a control wire



Ordering Code FLEXPOINT® FP-Mini Series



Standard Lasers

FP-Mini-635-1-F	(635 nm, 1 mW, focusable)
FP-Mini-635-4.9-F	(635 nm, 4.9 mW, focusable)
FP-Mini-650-1-F	(650 nm, 1 mW, focusable)
FP-Mini-650-4.9-F	(650 nm, 4.9 mW, focusable)

X-ON Electronics

Largest Supplier of Electrical and Electronic Components

Click to view similar products for [Distance Sensor Modules](#) category:

Click to view products by [Laser Components](#) manufacturer:

Other Similar products are found below :

[114992561](#) [114991133](#) [TF03-100 420ma](#) [TF03-180 420ma](#) [ILM12F-DOE-520-7-289-F](#) [LC-LMD-635-03-01-A](#) [LC-LMD-650-01-03-A](#) [LC-LMD-650-02-01-A](#) [LC-LMD-650-02-03-A](#) [LC-LMD-650-03-01-A](#) [LC-LMD-650-05-05-A](#) [LC-LMD-780-01-01-A](#) [LC-LMD-780-01-03-A](#) [LC-LMD-850-01-01-A](#) [LC-LMD-850-01-03-A](#) [FP-D-520-5-C-F](#) [FP-D-650-1-C-F](#) [FP-HD-L-635-7-30-F](#) [FP-L-520-10-50-C](#) [FP-D-405-16-E-F](#) [FP-D-635-13-E-F](#) [FP-D-635-17-C-F](#) [FP-D-635-3-E-F](#) [FP-D-635-40-C-F](#) [FP-D-635-7-E-F](#) [FP-D-650-20-C-F-24](#) [FP-D-650-25-E-F](#) [FP-D-650-3-E-F](#) [FP-D-660-40-C-F](#) [FP-D-670-1-C-F](#) [FP-D-670-5-C-F](#) [FP-D-785-50-C-F](#) [FP-D-850-1-C-F](#) [FP-D-850-5-E-F](#) [FP-D-905-7-E-F](#) [FP-L-405-15-50-C](#) [FP-L-635-1-50-C](#) [FP-L-635-5-50-C](#) [FP-L-650-1-50-C](#) [FP-L-850-3-50-C](#) [FP-L-905-5-50-C](#) [ILM12F-DOE-520-7-259-F](#) [FP-MV18-ST-660-20-30-F-STD](#) [ILM12F-D-635-1-C-F](#) [ILM12F-DOE-635-7-247-F](#) [ILM12F-L-520-7-58-F](#) [ILM12F-L-635-7-58-F](#) [LC-LMD-635-02-03-A](#) [LC-LMD-635-03-03-A](#) [LC-LMD-650-01-01-A](#)