

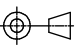


CODE 40 - BRAID TAIL BACKSHELL

208M716-19B08

SERIES _____
 ORDER NUMBER (TABLE 1) _____
 MATERIAL _____
 REFER TO CH00-0250-004
 FINISH _____
 REFER TO CH00-0250-004 (2)
 ENTRY SIZE (TABLE 2) _____

NOTES:

1. THIS PRODUCT IS DESIGNED TO TERMINATE A HEAT SHRINKABLE LIPPED BOOT TO A CONNECTOR.
- 2 FOR ADDITIONAL DIMENSIONS, ORDERING INFORMATION AND MODIFICATIONS, SEE CH00-0250-004.
3. BACKSHELL TO BE PERMANENTLY MARKED/BAGGED AND LABELLED WITH CODE IDENTIFICATION NUMBER AND PART NUMBER. (e.g. 06090-208M712-19B08).
- 4 WHEN ENTRY SIZE EXCEEDS "MAX ENTRY", A 2 PIECE BACKSHELL (TYPE 2) IS SUPPLIED.
5. BRAID TERMINATION RING MAY BE SUPPLIED AS TINEL-LOCK SHAPE MEMORY RING AT MANUFACTURERS OPTION.
6. BACKSHELL MATES TO MIL-DTL-38999, SERIES III AND IV, CLASS C, F, K, AND W, D38999/20, /24, /26, /40, /46 AND /47 CONNECTORS, AND WHEN SO MATED SHALL PROVIDE A WATER-TIGHT SEAL MEETING THE REQUIREMENTS OF MIL-C-85049, PARA. 3. 5. 7.

DRAWN	K.WINCZURA	DATE 18/02/2015	 3RD ANGLE PROJECTION NOT TO SCALE	TITLE:	BRAID TAIL BACKSHELL	 Polamco 		
CHECKED		18/02/2015						
APPROVED	K.SHEPPARD	24/02/2015					UNLESS OTHERWISE SPECIFIED ALL DIMENSIONS IN MILLIMETRES GENERAL TOL LINEAR +/-0.25MM ANGULAR +/- 1°	
APPROVED	H.SMITH	05/10/2015						
REVISIONS				ASSY USED ON:	MIL-DTL-38999 SERIES III & IV			
LTR	DESCRIPTION	DATE	APPROVED					
P	REVISED PER ECO-15-003576	06.03.15	I.MYONG					
R	REVISED PER ECO-15-013980	05.10.15	H.SMITH	TE CONNECTIVITY - POLAMCO LTD RESERVES THE RIGHT TO AMEND THIS DRAWING AND THE INFORMATION SET FORTH HEREON AT ANY TIME. USERS SHOULD INDEPENDENTLY EVALUATE THE SUITABILITY OF THE PRODUCT FOR THEIR APPLICATION.		DRAWING NO: 208M7XX	DRAWING REV: R	SHT 1
TE CAGE CODE: 06090 POLAMCO/TE CAGE CODE: U5792								

IF MAX ENTRY IS EXCEEDED BACKSHELL
WILL BE SUPPLIED AS TYPE 2
(4)

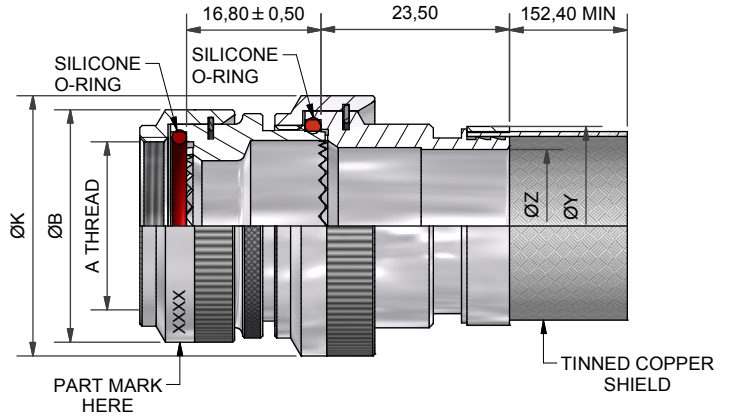
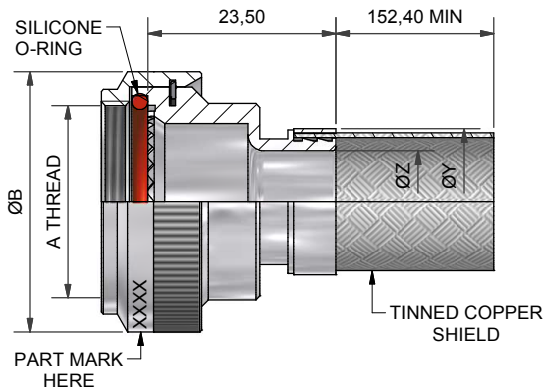


TABLE 1

ORDER NUMBER	SHELL SIZE COML / MIL	A THREAD	ØB MAX	MAX ENTRY (4)
08	9 / A	M12x1.0	18,0	04
10	11 / B	M15x1.0	21,0	07
12	13 / C	M18x1.0	24,5	09
14	15 / D	M22x1.0	29,0	10
16	17 / E	M25x1.0	32,5	12
18	19 / F	M28x1.0	35,5	14
20	21 / G	M31x1.0	37,0	16
22	23 / H	M34x1.0	40,0	18
24	25 / J	M37x1.0	43,5	20

TABLE 2

ENTRY SIZE	ØK MAX	ØZ REF	ØY REF
03	NA	4,77	13,1
04	NA	6,35	13,1
05	21,0	7,92	13,1
06	21,0	9,52	17,9
07	21,0	11,12	17,9
08	24,5	12,70	17,9
09	24,5	14,27	17,9
10	29,0	15,87	24,2
11	32,5	17,47	24,2
12	32,5	19,05	24,2
13	35,5	20,62	24,2
14	35,5	22,23	30,6
15	37,0	23,82	30,6
16	37,0	25,40	30,6
17	40,0	26,98	33,2
18	40,0	28,60	33,2
20	43,5	31,80	42,0
21	48,5	33,34	42,0
22	48,5	35,00	42,0
24	52,1	38,10	42,0
28	58,5	44,45	49,0

DRAWN	K.WINCZURA	DATE	18/02/2015
CHECKED		DATE	18/02/2015
APPROVED	K.SHEPPARD	DATE	24/02/2015
APPROVED	H.SMITH	DATE	05/10/2015

3RD ANGLE PROJECTION NOT TO SCALE

UNLESS OTHERWISE SPECIFIED ALL DIMENSIONS IN MILLIMETRES

GENERAL TOL
LINEAR +/-0,25MM
ANGULAR +/- 1°

REVISIONS			
LTR	DESCRIPTION	DATE	APPROVED
P	REVISED PER ECO-15-003576	06.03.15	I.MYONG
R	REVISED PER ECO-15-013980	05.10.15	H.SMITH

TITLE:
BRAID TAIL BACKSHELL

ASSY USED ON:
MIL-DTL-38999 SERIES III & IV



TE CAGE CODE: 06090
POLAMCO/TE CAGE CODE: U5792

TE CONNECTIVITY - POLAMCO LTD RESERVES THE RIGHT TO AMEND THIS DRAWING AND THE INFORMATION SET FORTH HEREON AT ANY TIME. USERS SHOULD INDEPENDENTLY EVALUATE THE SUITABILITY OF THE PRODUCT FOR THEIR APPLICATION.

DRAWING NO:
208M7XX

DRAWING REV:
R

SHT
2

X-ON Electronics

Largest Supplier of Electrical and Electronic Components

Click to view similar products for [Circular MIL Spec Strain Reliefs & Adapters](#) category:

Click to view products by [TE Connectivity](#) manufacturer:

Other Similar products are found below :

[896227-000](#) [899170S004](#) [6000-063-0022](#) [613751-000](#) [CS6624-000](#) [620AB038Z136](#) [620AS001Z108](#) [620AS038Z112](#) [620AS038Z120](#)
[620AS038Z132](#) [620FB038NF08](#) [620HA038NF13](#) [620HA038NF25](#) [620HA042XM13](#) [620HB049NF17](#) [620HS011NF21](#) [620HS038NF11](#)
[620HS038Z121](#) [620HS042XM19](#) [620HS042XM25](#) [620HS042XW13](#) [620HS048B17](#) [620MS064NF09](#) [620MS064NF12](#) [620MS065M12](#)
[620MS065Z107](#) [620MS065ZNU06](#) [630J041M06H](#) [630J041M20H](#) [637S010NF0212H](#) [640830-000](#) [659943-000](#) [66241-10A](#) [CW0597-000](#)
[CW0598-000](#) [CW0948-000](#) [CY0122-000](#) [M85049/41-6A W/B](#) [M85049/42-12DS](#) [M85049/47N8](#) [M85049/47W18](#) [M85049/51-1-14S](#)
[M85049/51-1-8W](#) [M85049/51S16S](#) [M85049/60-1N16](#) [M85049/60-2G12W](#) [M85049/69-11N](#) [CZ3661-000](#) [D02922-000](#) [70.360.1628.0](#)