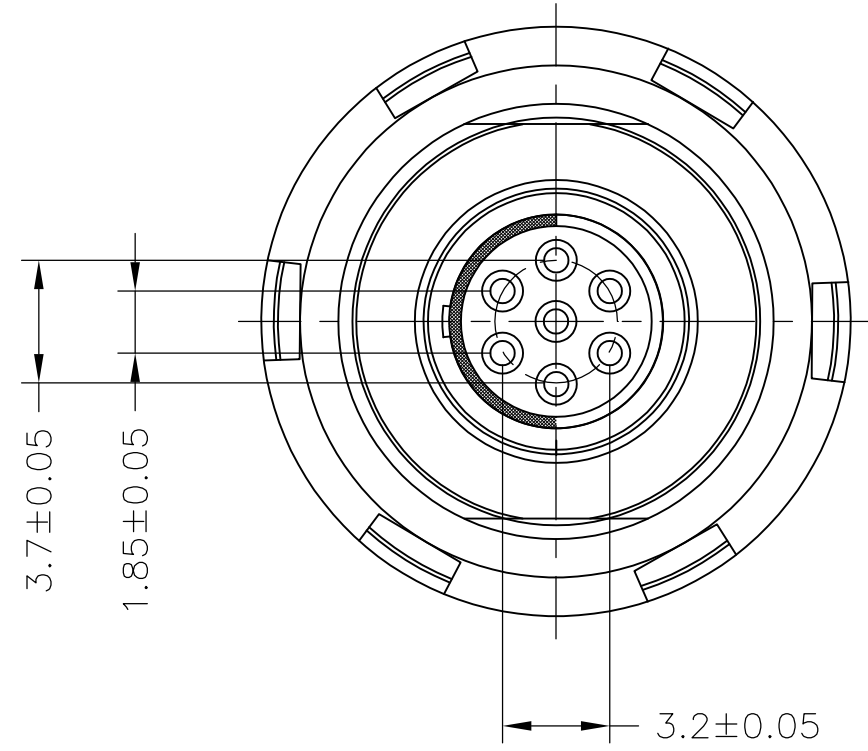
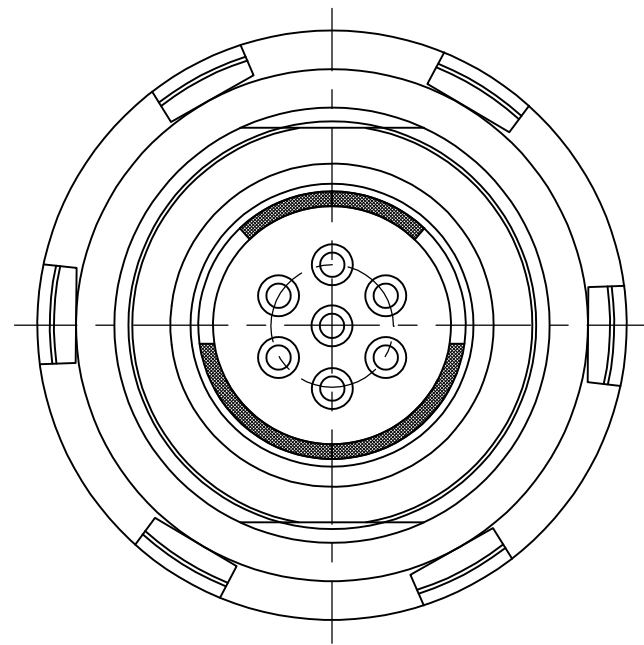


THIS DRAWING IS UNPUBLISHED. RELEASED FOR PUBLICATION
 © COPYRIGHT - By - ALL RIGHTS RESERVED.

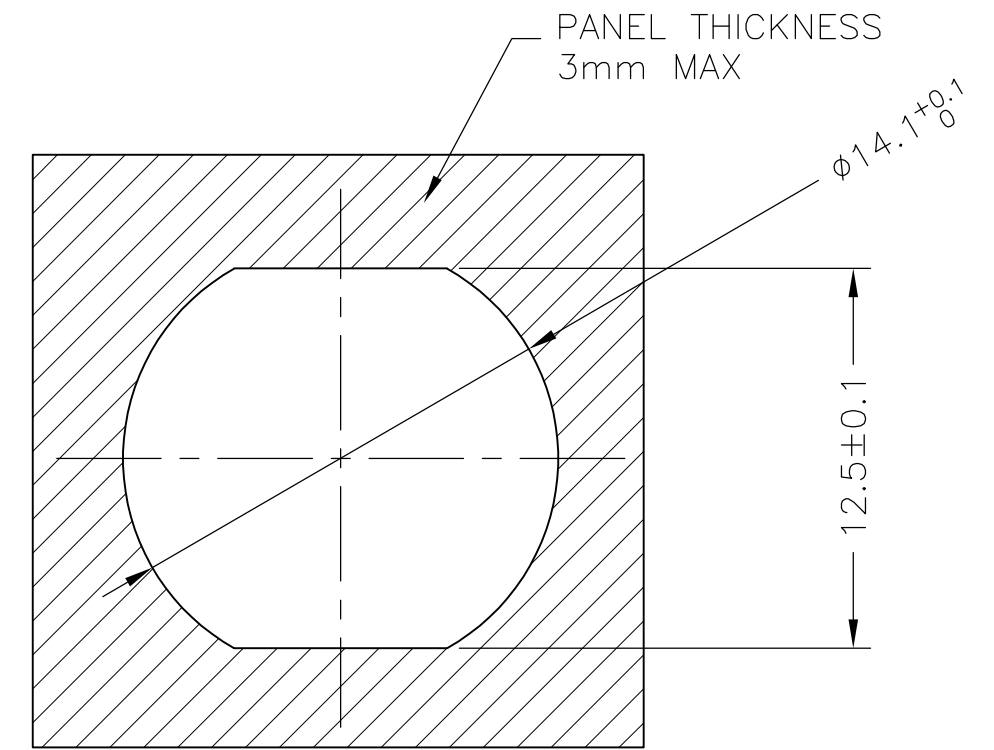
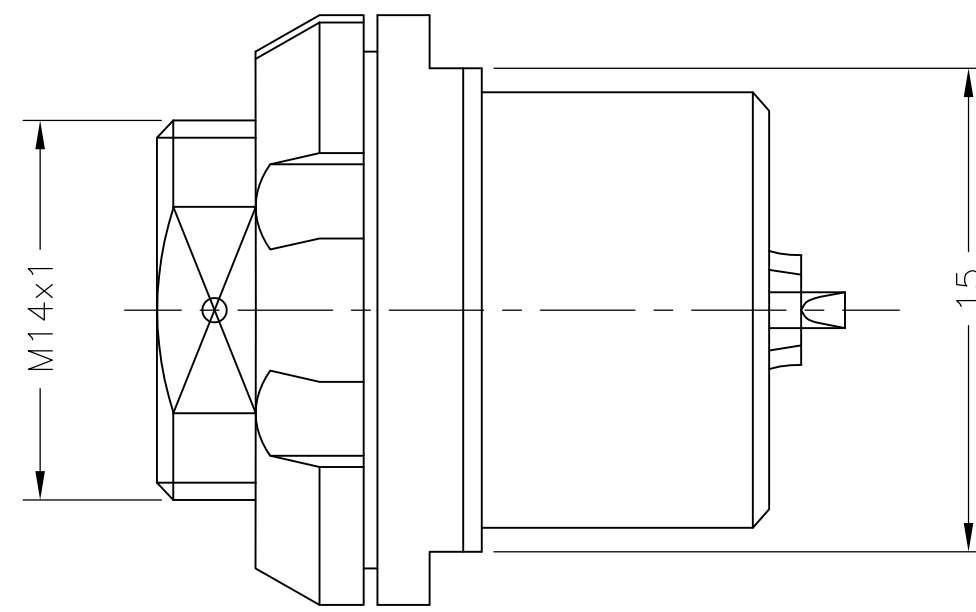
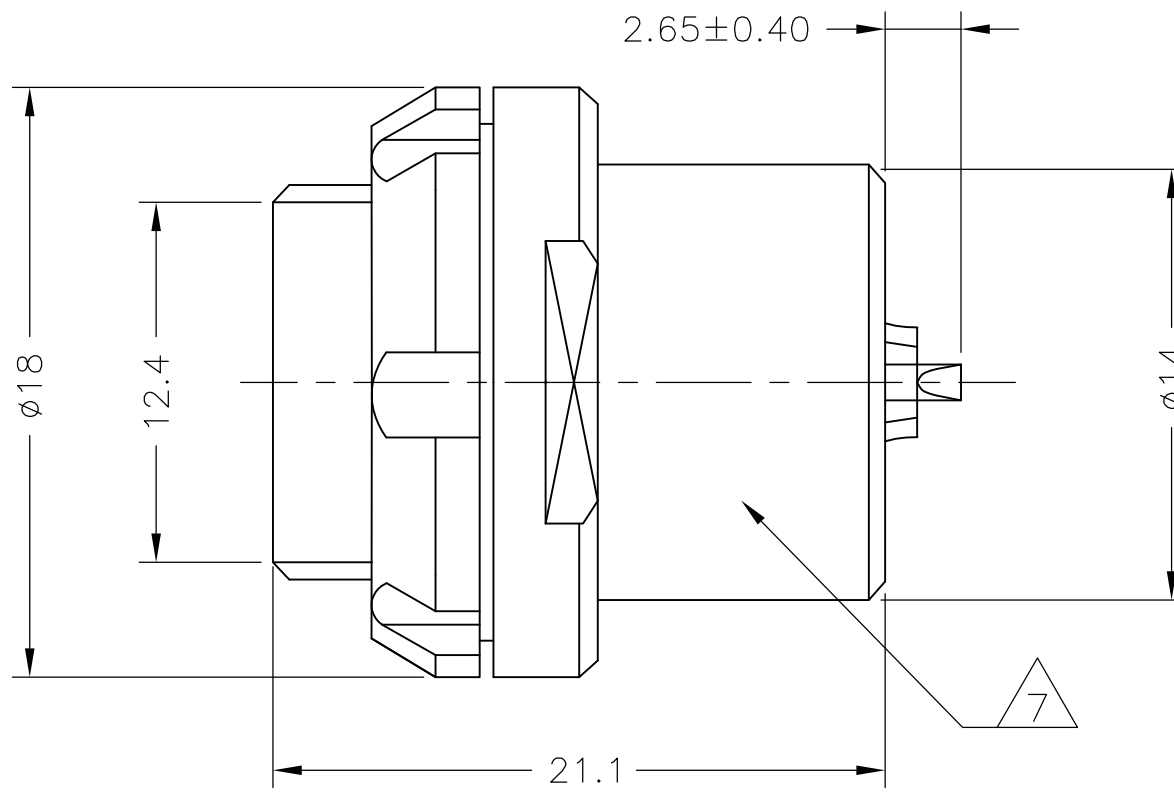
LOC		DIST		REVISIONS			
P	LTR	DESCRIPTION	DATE	DWN	APVD		
C		REVISED PER ECO 13-001843.	08FEB2013	MGM	CT		



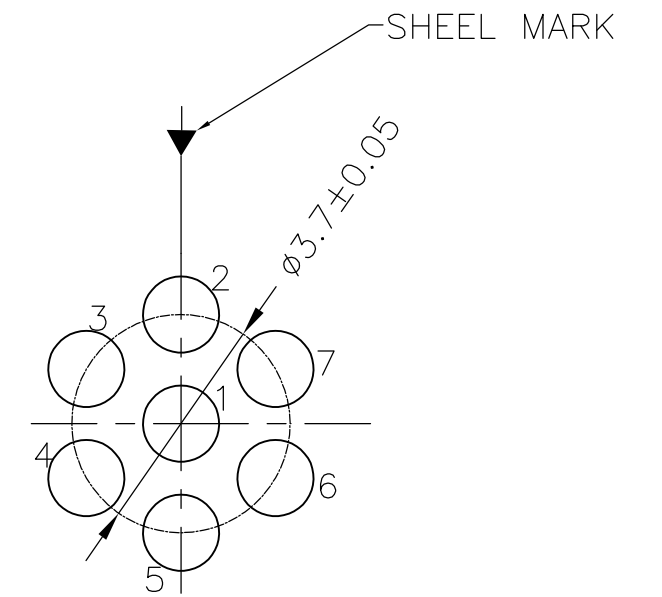
SINGLE POLARIZATION



DOUBLE POLARIZATION



PANEL CUTOUT



CAVITY IDENTIFICATION WHEN VIEWED FROM MATING FACE OF CONNECTOR

- 1. DWV RATING: 875VAC @ SEA LEVEL
- 2. WIRE SIZE: 24 AWG MAX
- 3. WORKING TEMPERATURE: -55°C ~ +125°C

4 MATERIAL:
 CONTACT : COPPER ALLOY
 SHELL : COPPER ALLOY
 INSULATOR : PEEK
 O RING : SILICON RUBBER

5 FINISH
 CONTACT: GOLD OVER NICKEL
 SHELL : BLACK CHROMIUM

6. WATER PROOF: 1M IMMERSION

7 PART IS MARKED WITH TE PART NUMBER, CHINA, DATE CODE AND LOT ID

8 ALL TOLERANCES TO BE ±0.20MM UNLESS NOTED.

2	CHROMIUM-BLACK	DOUBLE	SOLDERING	2101676-2
2	CHROMIUM-BLACK	SINGLE	SOLDERING	2101676-1
SHELL SIZE	FINISH	POLARIZATION	TERMINATION	TE CONNECTIVITY PART NUMBER

THIS DRAWING IS A CONTROLLED DOCUMENT.		DWN C.C THOMAS 08MAR2010	TE Connectivity	
DIMENSIONS: mm		CHK R. GROSS 08MAR2010		
TOLERANCES UNLESS OTHERWISE SPECIFIED:		APVD R. GROSS 08MAR2010	NAME	
0 PLC ± - 8 1 PLC ± - 2 PLC ± 0.20 3 PLC ± - 4 PLC ± - ANGLES ± 3°		PRODUCT SPEC 108-127005	CIRCULAR HD RECEPTACLE WITH SOLDER CUP CONTACTS - 7 POS	
MATERIAL 5		FINISH 6	SIZE A2	CAGE CODE 00779
CUSTOMER DRAWING		WEIGHT -	DRAWING NO C=2101676	RESTRICTED TO -
		SCALE NTS	SHEET 1 of 1	REV C

X-ON Electronics

Largest Supplier of Electrical and Electronic Components

Click to view similar products for [Circular MIL Spec Connector](#) category:

Click to view products by [TE Connectivity](#) manufacturer:

Other Similar products are found below :

[89075GULPR](#) [0025-262-542](#) [0025-264-3014](#) [58-570121-04S](#) [0134-213-1208](#) [0134-213-2209](#) [0025-258-000](#) [60-042022-07P](#) [60-042022-19P](#)
[60-042022-23P](#) [60-042217-10P](#) [60-042217-11P](#) [0114-201-1278](#) [012-0467-000](#) [602GB06EG24-61SN](#) [0134-201-1207](#) [0134-213-1006](#) [6104-](#)
[207-2302](#) [6104-208-1902](#) [61-168211-04P](#) [61-168617-10P](#) [6131-202-19149P](#) [6131-204-21149P](#) [6131-208-13149P](#) [6131-209-17149P](#) [6131-](#)
[210-11149P](#) [6131-211-19149P](#) [6131-216-19149P](#) [6131-259-21149P](#) [6131-259-23149P](#) [6131-265-17149P](#) [6131-265-19149P](#) [CS3100A18-1P-](#)
[472](#) [CS3100A-36-77P](#) [CS3101A-16-55P](#) [CS3102A-10SL-55P](#) [CS3102A-14S-58P](#) [CS3102A-18-1P116](#) [CS3102A-32-17P](#) [CS3102A32-25S](#)
[CS3102C18-4P-472](#) [CS3106A10SL3S004](#) [CS3106A-18-73S](#) [CS3108A-14S-52S](#) [CS3108A-28-51S](#) [6162-233-1277](#) [6162-324-1231](#)
[M243082296Z](#) [M2884010AC1S1](#) [CT0-24-10SC](#)