

**FEATURES:**

- Ultra Wide Input 4:1 Range
- Full SMD Technology
- 1600 VDC Isolation
- Efficiency up to 92%
- Soft Start
- Adjustable Output Voltage
- Remote ON/OFF Function
- Over Current, Voltage, & Temperature Protection
- Operating temperature -40°C to + 85°C

Models

Single output



Model	Input Voltage (V)	Output Voltage (V)	Output Current max (A)	Isolation (VDC)	Max Capacitive Load (uF)	Efficiency (%)
AM40UW-2403SZ	9-36	3.3	10	1600	25000	89
AM40UW-2405SZ	9-36	5	8	1600	13000	91
AM40UW-2412SZ	9-36	12	3.35	1600	2300	90
AM40UW-2415SZ	9-36	15	2.65	1600	1500	90
AM40UW-4803SZ	18-75	3.3	10	1600	25000	90
AM40UW-4805SZ	18-75	5	8	1600	13000	92
AM40UW-4812SZ	18-75	12	3.35	1600	2300	90
AM40UW-4815SZ	18-75	15	2.65	1600	1500	90

Add suffix "-K" for optional heatsink

Models

Dual output

Model	Input Voltage (V)	Output Voltage (V)	Output Current max (A)	Isolation (VDC)	Max Capacitive Load (uF)	Efficiency (%)
AM40UW-2412DZ	9-36	±12	±1.65	1600	±1200	89
AM40UW-2415DZ	9-36	±15	±1.35	1600	±750	90
AM40UW-4812DZ	18-75	±12	±1.65	1600	±1200	80
AM40UW-4815DZ	18-75	±15	±1.35	1600	±750	90

Add suffix "-K" for optional heatsink

NOTE: All specifications in this datasheet are measured at an ambient temperature of 25°C, humidity<75%, nominal input voltage and at rated output load unless otherwise specified.

Input Specifications

Parameters	Nominal	Typical	Maximum	Units
Voltage range	24 48	9-36 18-75		VDC
Filter	π(Pi) Network			
Start up time		25		ms
Absolute Maximum Rating	24 48		50 100	VDC
Peak Input Voltage time			100	ms
On/Off control	ON -3.0 -12 (or open) ; OFF -0 -1.2 (or short pin 2 to pin 3) Off idle current: 5mA			
No Load Input Current		100		mA
Under voltage lockout	24 ON/OFF 48 ON/OFF	8.6/7.9 17.6/16		VDC
Input reflected ripple current		20		mA p-p

Isolation Specifications

Parameters	Conditions	Typical	Rated	Units
Tested I/O voltage	3 sec		1600	VDC
Resistance		>1000		MOhm
Capacitance		2500		pF

Output Specifications

Parameters	Conditions	Typical	Maximum	Units
Voltage accuracy		±1		%
Cross Regulation (Dual Output Models)	25% load on one output - 100% load on second load	±5		%
Over voltage protection		Zener Diode Clamp		
Over current protection	Full Load	150		%
Short Circuit protection		Continuous		
Short circuit restart		Auto-Restart		
Thermal shutdown	On Case	110		°C
Line voltage regulation	HL-LL	±0.5		% of Vin
Load voltage regulation (Single)	I _{out} =0% to 100%	±0.5		%
Load voltage regulation (Dual)	I _{out} =0% to 100%	±1		%
Temperature coefficient		±0.02		%/°C
Ripple & Noise	20MHz Bandwidth	150		mV p-p
Voltage adjustment range		±10		%
Minimum Load Current		0		% of Max

General Specifications

Parameters	Conditions	Typical	Maximum	Units
Switching frequency	100% load	270		KHz
Operating temperature	With derating above 55 °C (see graph below)	-40 to +85		°C
Storage temperature		-40 to +125		°C
Maximum case temperature			105	°C
Derating	Above 55 °C	2		%/°C
Cooling		Free Air Convection		
Humidity			95	% RH
Case material		Nickel – coated Copper		
Weight		60		g
Dimensions (L x W x H)		2.00 x 2.00 x 0.40 inches 50.81 x 50.81 10.14 mm		
MTBF		>1500000 hrs Calculated using MIL-HDBK-217 F at +25 °C		
Maximum soldering temperature	1.5mm from case for 10 sec	260		°C
Transient recovery time		250		µS
Transient recovery deviation		±3		mS

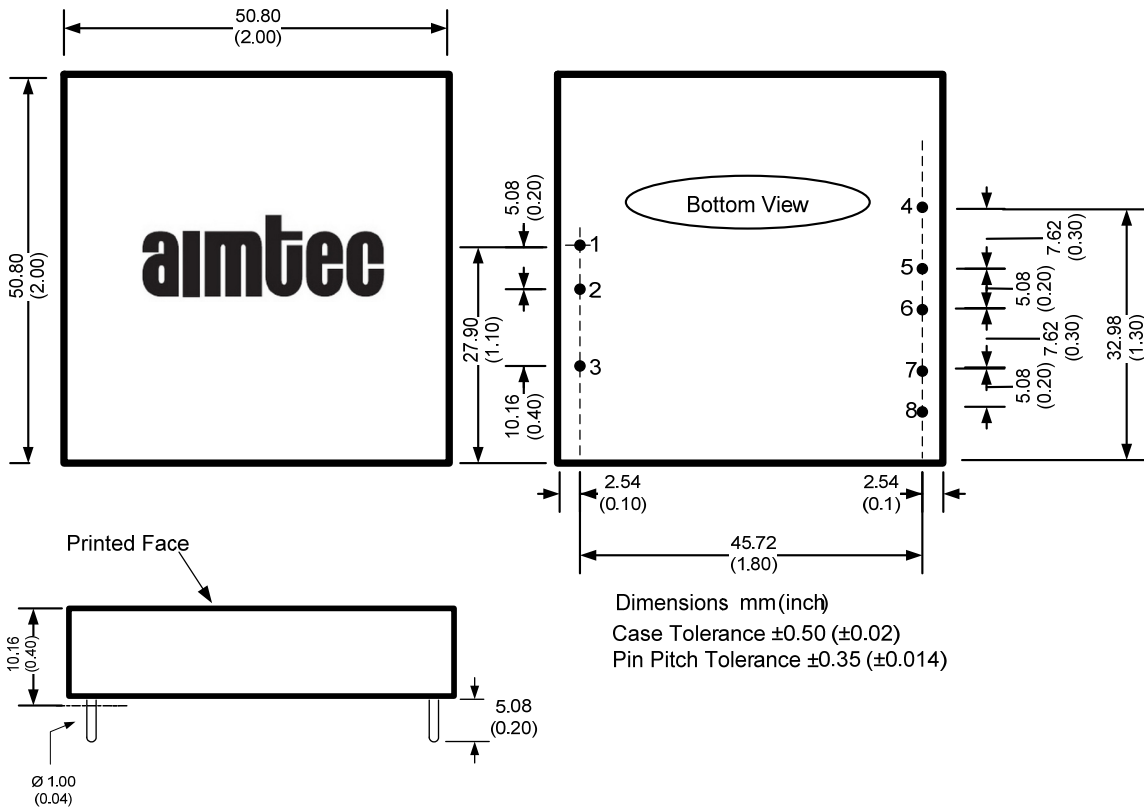
Safety Specifications

Standards	
Agency Approval	CE, meet IEC 60950-1:2001
Safety	EN55022: 2006 + A1:2007, Class A
	EN55024:1998 + A1:2001 + A2:2003
	IEC61000-4-2:1995 + A1:1998 + A2:2000, Perf. Criteria B
	IEC61000-4-3:2006, Perf. Criteria A
	IEC61000-4-4:2004, Perf. Criteria B (external 220µF/100V cap required)
	IEC61000-4-5:2005, Perf. Criteria B (external 220µF/100V cap required)
	IEC61000-4-6:2007, Perf. Criteria A
	IEC61000-4-8, Perf:1993 + A1:2000, Criteria A

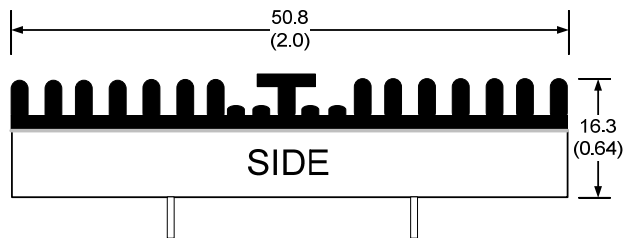
Pin Out Specifications

Pin	Single	Dual
1	+V Input	+V Input
2	-V Input	-V Input
3	On/Off Control	On/Off Control
4	- Sense	+V Output
5	+ Sense	Common
6	+V Output	Common
7	-V Output	-V Output
8	Trim	Trim

Dimensions

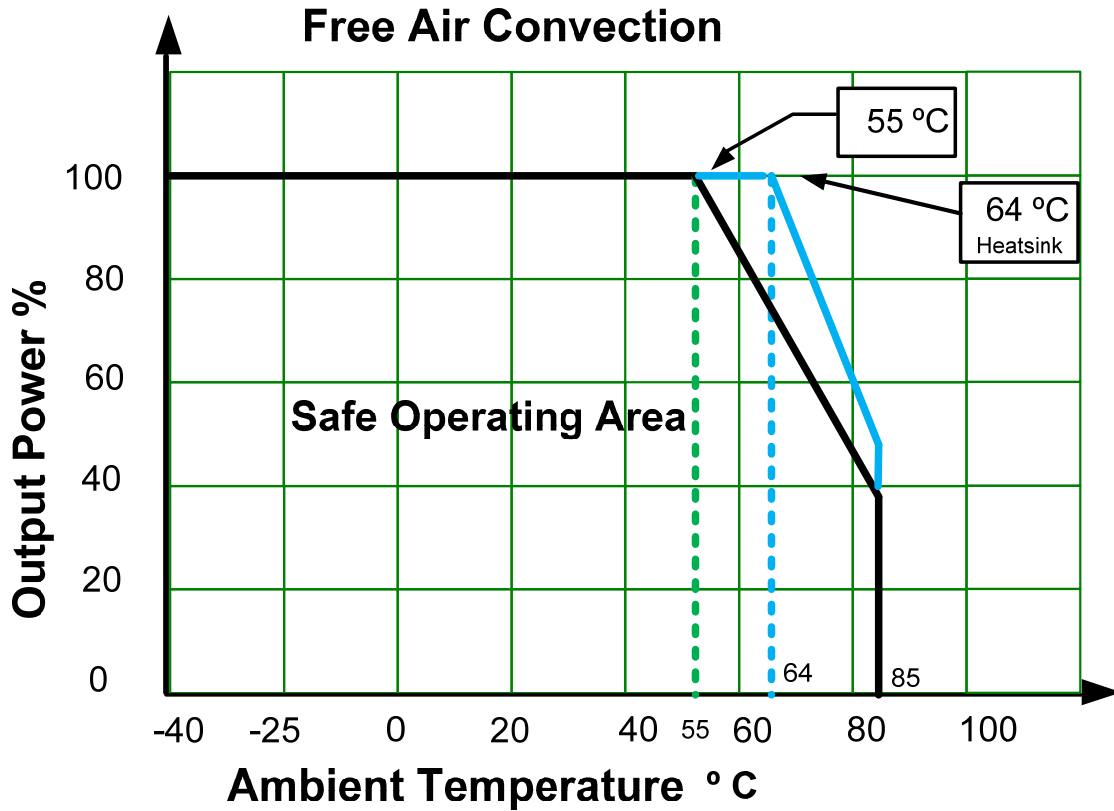


Dimensions with Optional Heatsink



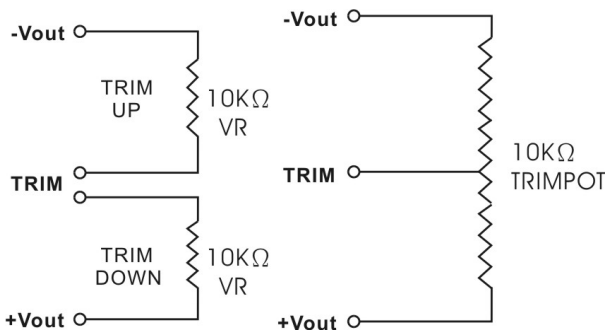
Notes: Add "-K" suffix for ordering, heatsink is affixed with thermally dissipative adhesive tape. See derating graph for temperature performance. Heatsink material is anodized (black) aluminum, adds weight 22g to total mass (60g). Thermal impedance of converter is: without heatsink 10°C/W and 8.8°C/W with heatsink.

Derating

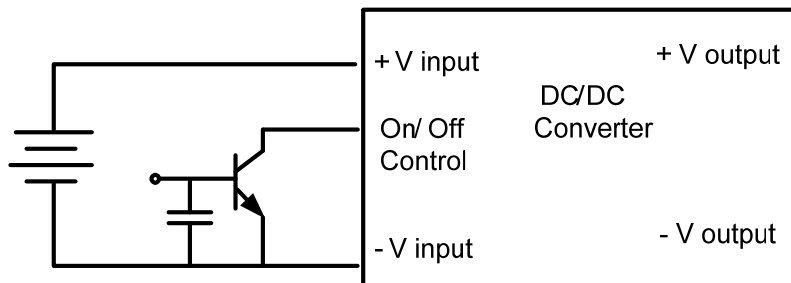


Extended temperature performance can be achieved with optional heatsink. (add suffix “-K” to part number)

Trimming



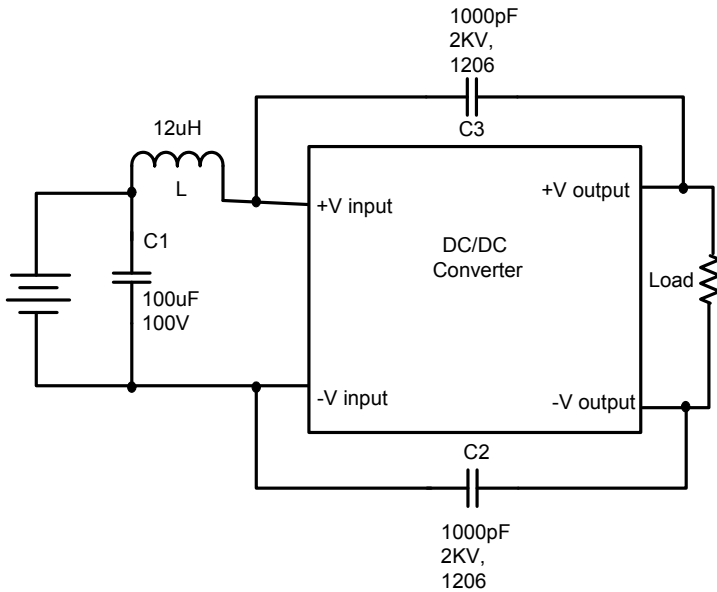
Control ON/OFF



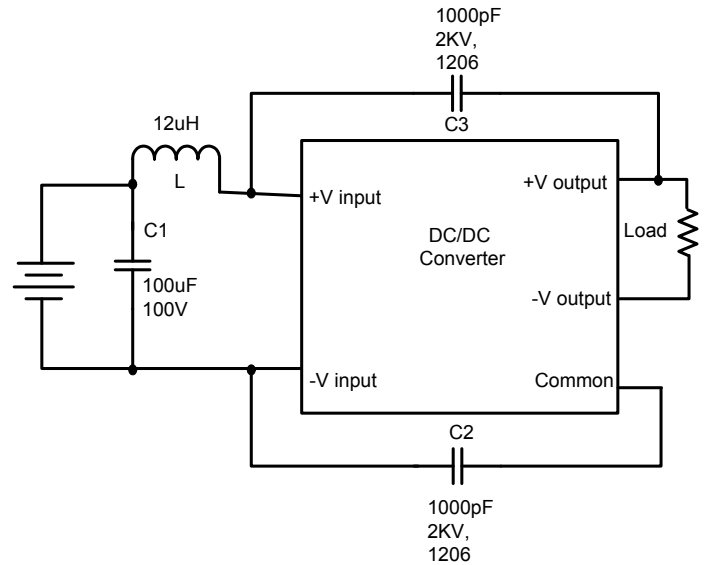
Recommended Circuits

Conducted and Radiated Emissions

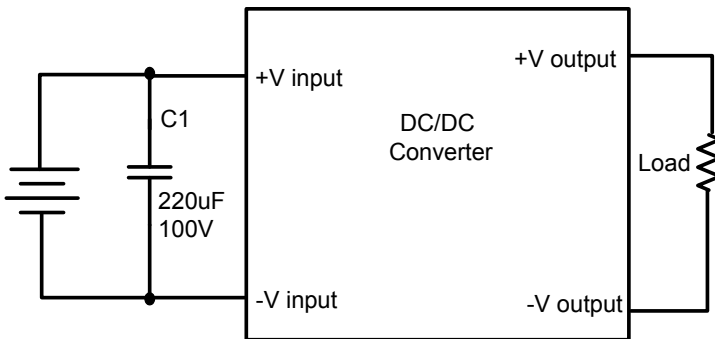
Single Output



Dual Output



EFT/Surge



NOTE: 1. Datasheets are updated as needed and as such, specifications are subject to change without notice. Once printed or downloaded, datasheets are no longer controlled by Aimtec; refer to www.aimtec.com for the most current product specifications. 2. Product labels shown, including safety agency certifications on labels, may vary based on the date manufactured. 3. Mechanical drawings and specifications are for reference only. 4. All specifications are measured at an ambient temperature of 25°C, humidity < 75%, nominal input voltage and at rated output load unless otherwise specified. 5. Aimtec may not have conducted destructive testing or chemical analysis on all internal components and chemicals at the time of publishing this document. CAS numbers and other limited information are considered proprietary and may not be available for release. 6. This product is not designed for use in critical life support systems, equipment used in hazardous environments, nuclear control systems or other such applications which necessitate specific safety and regulatory standards other than the ones listed in this datasheet. 7. Warranty is in accordance with Aimtec's standard Terms of Sale available at www.aimtec.com.

X-ON Electronics

Largest Supplier of Electrical and Electronic Components

Click to view similar products for [Isolated DC/DC Converters](#) category:

Click to view products by [Aimtec](#) manufacturer:

Other Similar products are found below :

[ESM6D044440C05AAQ](#) [FMD15.24G](#) [PSL486-7LR](#) [PSR152.5-7IR](#) [Q48T30020-NBB0](#) [AVO240-48S12B-6L](#) [AVO250-48S28B-6L](#) [NAN-0505](#) [HW-L16D](#) [JAHW100Y1](#) [217-1617-001](#) [22827](#) [SPB05C-12](#) [SQ24S15033-PS0S](#) [18952](#) [19-130041](#) [CE-1003](#) [CE-1004](#) [GQ2541-7R](#) [PSE1000DCDC-12V](#) [RDS180245](#) [MAU228](#) [419-2065-201](#) [449-2075-101](#) [J80-0041NL](#) [V300C24C150BG](#) [419-2062-200](#) [419-2063-401](#) [419-2067-101](#) [419-2067-501](#) [419-2068-001](#) [DCG40-5G](#) [DFC15U48D15](#) [449-2067-000](#) [XGS-0512](#) [XGS-1205](#) [XGS-1212](#) [XGS-2412](#) [XGS-2415](#) [XKS-1215](#) [033456](#) [NCT1000N040R050B](#) [SPB05B-15](#) [SPB05C-15](#) [SSQE48T25025-NAA0G](#) [L-DA20](#) [HP3040-9RG](#) [HP1001-9RTG](#) [NVD0.4YJJ-M6G](#) [XKS-2415](#)