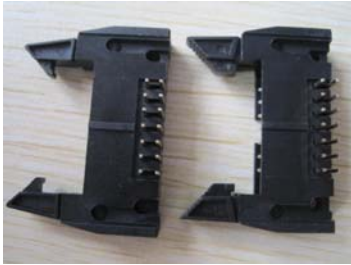


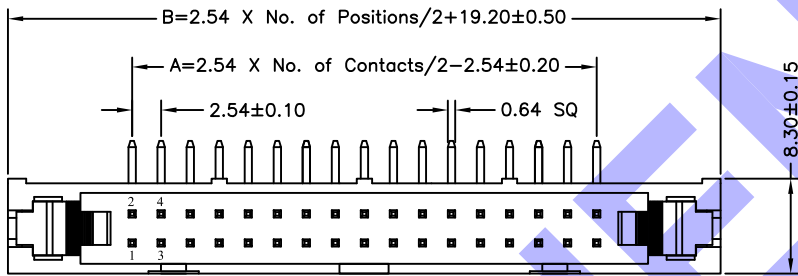
## T816 - X XX XX XX XX C EU

T816 Series  
2.54mm pitch

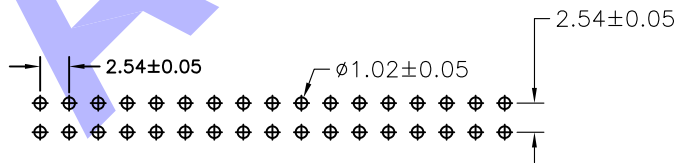
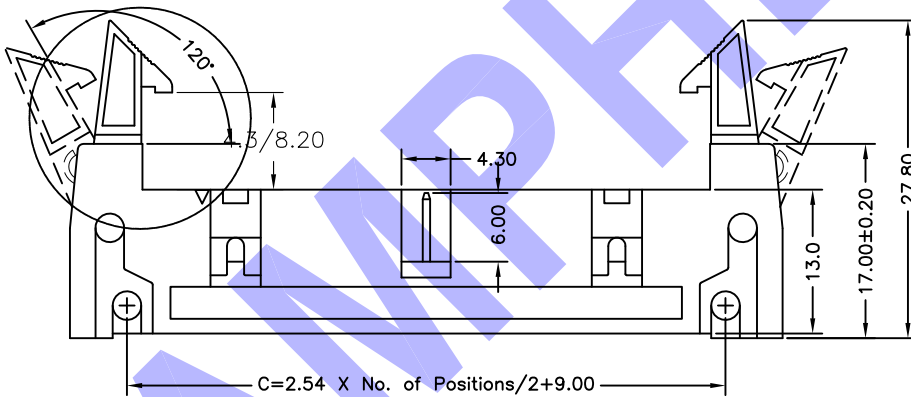


<b>Housing Color</b>	<b>No of Positions</b>	<b>Plating Options</b>	<b>Termination</b>	<b>Variation Code</b>	<b>C</b>	<b>EU:</b>
0: Grey 1: Black	06: 6 positions : : 64: 64 positions	A1: Gold flash over 50u" Ni A2: 15u" gold over 50u" Ni A3: 30u" gold over 50u" Ni SN: Full Tin over 50u" Ni	S1: Straight THT R1: Right Angled THT	00: w/o Latch 01: Short Latch 02: Long Latch	: Fixed index	ROHS Compliant

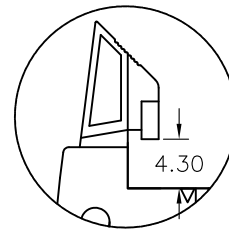
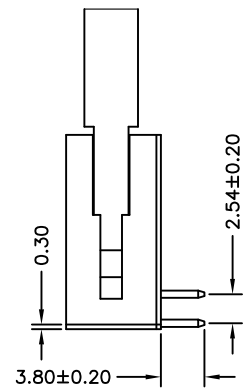
T816-XXXXXR1XXCEU  
(R/A DIP)



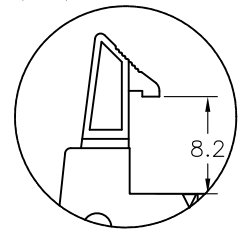
No. of PINS	Dimension Information		
	A	B	C
06	5.08	26.82	16.62
08	7.62	29.36	19.16
10	10.16	31.90	21.70
14	15.24	36.98	26.78
16	17.78	39.52	29.32
18	20.32	42.06	31.86
20	22.86	44.60	34.40
24	27.94	49.68	39.48
26	30.48	52.22	42.02
30	35.56	57.30	47.10
34	40.64	62.38	52.18
40	48.26	70.00	59.80
50	60.96	82.70	72.50
60	73.66	95.40	85.20
64	78.74	100.48	90.28



Recommended PCB Layout



Short Latch



Long Latch

## General Specification

**Materials and Finish:**  
**Insulator:** PBT+25%G.F, UL 94V-0,  
**Contact:** Brass, Gold or Tin Plated  
 Over 50u" Ni

**Electrical:**  
**Contact Resistance:** 20 mΩ max. at 1A DC  
**Insulation Resistance:** 1000 MΩ min, at 500V/DC  
**Dielectric Withstanding Voltage:** 500 V/AC RMS 60Hz for one minute.  
**Current Rating:** 3.0A max.  
**Voltage Rating:** 250V AC/RMS 60Hz, DC

**Environment:**  
**Operating Temperature:**  
 -40 °C to +105 °C

**T816** - **X** **XX** **XX** **XX** **XX** **C** **EU**

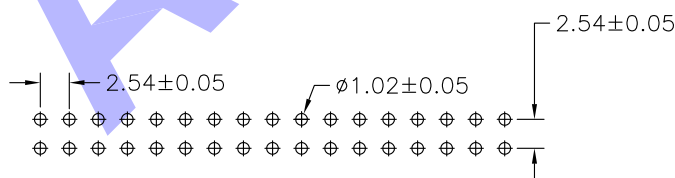
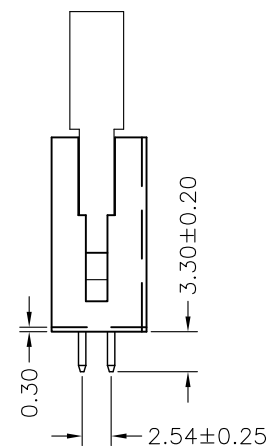
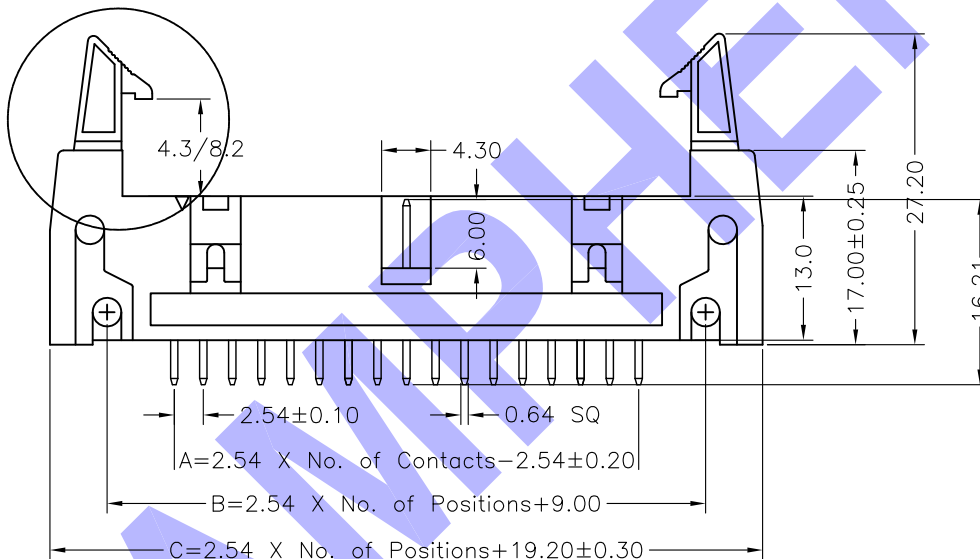
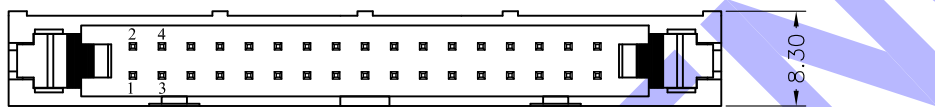
T816 Series  
2.54mm pitch



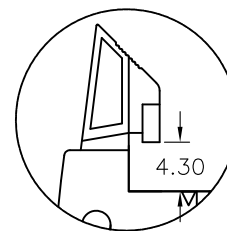
T816-XXXXXS1XXCEU  
(ST DIP)

<b>Housing Color</b>	<b>No of Positions</b>	<b>Plating Options</b>	<b>Termination</b>	<b>Variation Code</b>	<b>C</b>	<b>EU:</b>
0: Grey 1: Black	06: 6 positions : : 64: 64 positions	A1: Gold flash over 50u" Ni A2: 15u" gold over 50u" Ni A3: 30u" gold over 50u" Ni SN: Full Tin over 50u" Ni	S1: Straight THT R1: Right Angled THT	00: w/o Latch 01: Short Latch 02: Long Latch	: Fixed index	ROHS Compliant

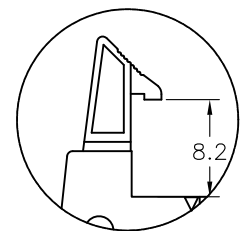
No. of PINS	Dimension Information		
	A	B	C
06	5.08	26.82	16.62
08	7.62	29.36	19.16
10	10.16	31.90	21.70
14	15.24	36.98	26.78
16	17.78	39.52	29.32
18	20.32	42.06	31.86
20	22.86	44.60	34.40
24	27.94	49.68	39.48
26	30.48	52.22	42.02
30	35.56	57.30	47.10
34	40.64	62.38	52.18
40	48.26	70.00	59.80
50	60.96	82.70	72.50
60	73.66	95.40	85.20
64	78.74	100.48	90.28



Recommended PCB Layout



Short Latch



Long Latch

## General Specification

**Materials and Finish:**  
**Insulator:** PBT+25%G.F, UL 94V-0,  
**Contact:** Brass, Gold or Tin Plated  
 Over 50u" Ni

**Electrical:**  
**Contact Resistance:** 20 mΩ max. at 1A DC  
**Insulation Resistance:** 1000 MΩ min, at 500V/DC  
**Dielectric Withstanding Voltage:** 500 V/AC RMS 60Hz for one minute.  
**Current Rating:** 3.0A max.  
**Voltage Rating:** 250V AC/RMS 60Hz, DC

**Environment:**  
**Operating Temperature:**  
 -40 °C to +105 °C

## X-ON Electronics

Largest Supplier of Electrical and Electronic Components

*Click to view similar products for [Headers & Wire Housings](#) category:*

*Click to view products by [Amphenol](#) manufacturer:*

Other Similar products are found below :

[95000-104TRLF](#) [10135584-644402LF](#) [DF62W-EP2022PCA](#) [95000-106TRLF](#) [DF62W-2022SCA](#) [DF62W-EP2022PC](#) [2203348](#) [DF62W-2022SC](#) [1084018](#) [1029039](#) [1084017](#) [802-10-012-10-002000](#) [1112640](#) [1112639](#) [891-007-9SS-BST1T](#) [000-34000](#) [0008550134](#) [0009482033](#) [0009507031](#) [57102-F02-18ULF](#) [57102-S06-03LF](#) [57202-S52-04LF](#) [PCN6-15S-2.5E](#) [0039019024](#) [58102-G61-06LF](#) [582553-1](#) [0009485154](#) [0009508121](#) [0022285053](#) [0050291907](#) [018731A](#) [LY20-4P-DT1-P1E-BR](#) [02.125.8002.8](#) [60101931](#) [60598-1 \(Cut Strip\)](#) [M1625-3R/100](#) [61062-3](#) [61082-181009](#) [CSU011177004](#) [636-1427](#) [638009-1](#) [641938-9](#) [641991-4](#) [644168-1](#) [644827-2](#) [647662-1](#) [65039-019ELF](#) [65692-001LF](#) [65781-018](#) [65781-047](#)