

DOCUMENTATION CONTROL		
CLASS	EFFECT DATE	APPROV.
A		
B		
C	11/2/83	ED
D		
R		

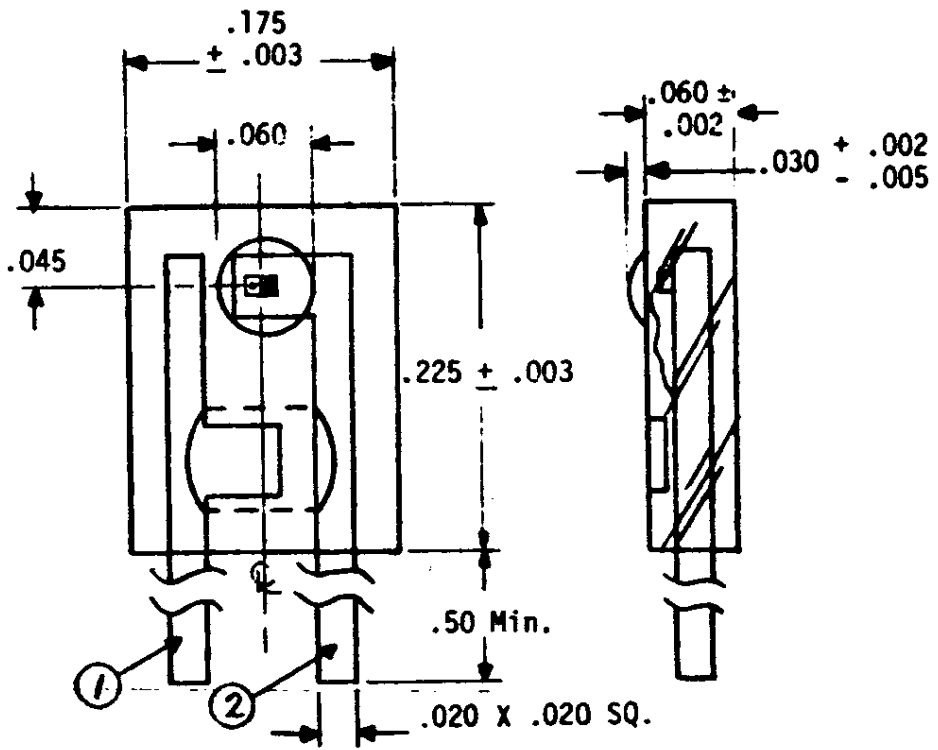
REVISIONS			
LTR.	DESCRIPTION	DATE	APPROVED
G	ECN #C337 CHANGES PER ENG. INPUT	A.M. 11-1-83	<i>[Signature]</i>
H	ECN #G510 ADDED ITEM #2	P.B. 02-19-86	<i>[Signature]</i>
J	ECN #AG303 DWG. # WAS 845-8506-TAB	PB 03-27-95	<i>[Signature]</i>

NOTES:

- FOR ELECTRICAL SPECIFICATIONS, SEE SHEET 3.
- OUTPUT POWER IS GUARANTEED TO MEET 2.5% AQL.
- PIN 1 IS CATHODE.
- PIN 2 IS ANODE.
- $\lambda = 930\text{nm}$
- BEAM ANGLE $\theta = 25^\circ$

APR 03 1995

REF	REF	REF	REF	1	842-8506-00X	MFG. AND TEST PROCEDURE (PROPRIETARY)
-005	-004	-003	-002	-001	ITEM NO	DESCRIPTION OR NOMENCLATURE
					HONEYWELL OPTO.	GOVT OR INDUSTRY
QTY. REQ'D					PART OR IDENTIFYING NO.	DESCRIPTION OR NOMENCLATURE
UNLESS OTHERWISE SPECIFIED DIMENSIONS ARE IN INCHES		DRAFT. DATE A. MARPLE 11-1-83		Honeywell OPTOELECTRONICS TITLE SIDE LOOKING EMITTER		
TOLERANCES:		CHECK <i>[Signature]</i>				
ANGLES $\pm 1^\circ$		ISSR <i>[Signature]</i>				
3 PLACE DECIMAL $\pm .005$		MANUF. <i>[Signature]</i>				
2 PLACE DECIMAL $\pm .02$		C.A. <i>[Signature]</i>		SIZE A PSCM 32388 DWG. NO. 845-8506-00X		
MATERIAL:		SCALE		SHEET 1 OF 3		
FINAL	SEP 8506	APPLICATION				
NEXT ASSY	USED ON					



Honeywell
OPTOELECTRONICS

CODE IDENT NO.
32388

SIZE
A

DRAWING NO.
845-8506-00X

REV. J

SHEET 2 OF 3

OPTICAL/ELECTRICAL CHARACTERISTICS ($T_A = 25^{\circ}\text{C}$)

PARAMETER	TEST CONDITION	DEVICE NUMBER	LIMITS		UNITS
			MIN	MAX	
P_O	$I_F = 20 \text{ mA}$	8506-001	.05	.36	MW/cm^2
		8506-002	.33	.52	
		8506-003	.45	.90	
		8506-004	.80	2.2	
V_F	$I_F = 20 \text{ mA}$	ALL		1.6	VOLTS
V_R	$I_R = 10 \mu\text{A}$	ALL	6.0		VOLTS

NOTES:

POWER OUT MEASURED THRU A 0.104" APERTURE PLACED 0.535" FROM LENS TIP.

Honeywell

OPTOELECTRONICS

CODE IDENT NO.

32388

SIZE

A

DRAWING NO.

845-8506-00X

REV. J

SHEET 3 OF 3

X-ON Electronics

Largest Supplier of Electrical and Electronic Components

Click to view similar products for [Infrared Emitters](#) category:

Click to view products by [Honeywell](#) manufacturer:

Other Similar products are found below :

[LTE-309](#) [LTE-3279K](#) [LTE-4206C](#) [LTE-4208C](#) [EE-L105-X](#) [K3N](#) [QED123UL](#) [LTE-2871C](#) [LTE-2872U](#) [LTE-4238](#) [ASDL-4264-C22](#)
[TSHA6201](#) [TSHA6202](#) [HSDL-4400031](#) [EAIPL3528Z0](#) [OED-EL305F4C50-HT](#) [TSUS6202](#) [OP216-004](#) [VSMY98145DS](#) [VSMY99445DS](#)
[HL-PST-1608IR1C-L4](#) [IN-S126ETIR](#) [IN-S126DSHIR](#) [IN-S126ETHIR](#) [IN-P32ZTHIR](#) [IN-S126BTHIR](#) [IN-S63DTHIR](#) [IN-S85BTHIR](#) [IN-S63FTHIR](#) [E6C0805IRAC1UDA940nm](#) [HIR204C/H0](#) [HIR204/H0](#) [HIR323C](#) [LTE-209](#) [TSML1030](#) [IR12-21C/TR8](#) [IR17-21C/TR8](#) [IR383](#)
[IR91-21C/TR10](#) [WP7113F3BT](#) [SFH 4948](#) [SFH 4949](#) [LTE-4208](#) [OP235W](#) [OP297FAB](#) [TSHA5201](#) [TSHA5500](#) [TSTS7500](#) [TSUS5201](#)
[TSUS5401](#)