

EPIC® ULTRA H-B 6 SGR LB

Housing H-B ULTRA: for higher functional reliability
Optimum, low-resistance 360° screening
All-purpose due to high corrosion resistance and high environmental protection.
Space-saving due to compact dimensions
Faster than any other comparable system
High mechanical resistance



Good chemical resistance



Wide clamping range



Corrosion-resistant



Assembly time



Optimum strain relief



Space requirement



Robust



Integrated SKINTOP® cable gland



Connector with standard housing unit



Interference signals



Waterproof

Info

EMC protection
Corrosion-resistant
SKINTOP® integrated cable gland

Application range

In EMC-sensitive environments
For fixed and flexible applications (e.g. machinery building, wind turbines)
Construction machinery
Electric motor manufacturing

Product features

Housings with the BRUSH addition come with BRUSH cable screen contacting
Pluggable with standard housings
Corrosion-resistant according to DIN EN 6988
Resistance to cyclic salt spray is tested according to IEC 68-2-52, severity level 2
Salt spray testing according to DIN EN ISO 9227, method NSS, period of test 480 hours



EPIC® ULTRA H-B 6 SGR LB**Technical Data**

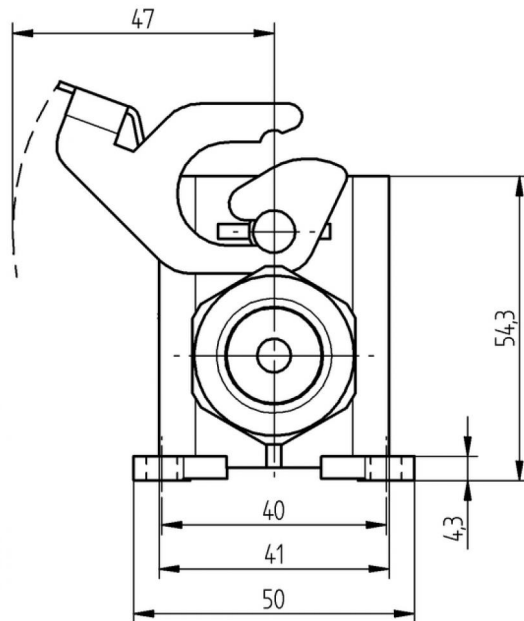
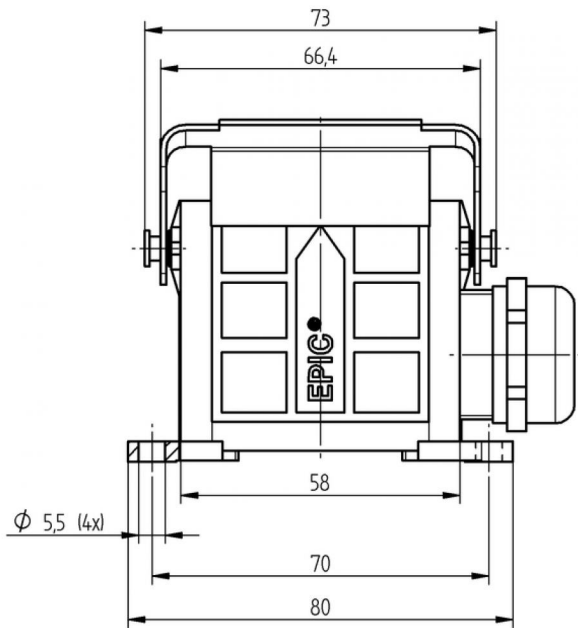
Material:	Housing: nickel-plated zinc die-casting Lever and bolts: stainless steel Sealing: NBR Cable gland Body: nickel-plated brass Insert: PA Seal: special elastomer
Protection rating:	IP 65
Temperature range:	-40°C to +100°C

Note

Photographs are not to scale and do not represent detailed images of the respective products.

Part number	Article description	Clamping range in mm	Minimum Ø above braiding (mm)
H-B housing: surface-mount base (1 cable entry, single lever)			
70250207	ULTRA H-B 6 SGR LB 6-13	6 - 13	
70250208	ULTRA H-B 6 SGR LB 9-17	9 - 17	
70250209	ULTRA H-B 6 SGR LB 9-17 BRUSH	9 - 17	6

EPIC® ULTRA H-B 6 SGR LB



X-ON Electronics

Largest Supplier of Electrical and Electronic Components

Click to view similar products for [Standard Circular Connector](#) category:

Click to view products by [Lapp Kabel](#) manufacturer:

Other Similar products are found below :

[C015](#) [10F006](#) [001](#) [1](#) [5M2530B10P](#) [600247N007](#) [600259N006](#) [600273N007](#) [600432N009](#) [6280-2PG-519](#) [6280-3PG-311](#) [6280-3SG-311](#)
[6280-7SG-3DC](#) [6280-7SG-522](#) [6282-5PG-311](#) [6282-6PG-519](#) [6282-8SG-311](#) [6283-11](#) [6283-15](#) [6290](#) [6293](#) [6382-2PG-311](#) [6382-2PG-3DC](#)
[6382-2SG-321](#) [6382-2SG-3DC](#) [6382-4SG-516](#) [67-03E20-37P](#) [681-PMG](#) [CXC3106A1811S](#) [CXS3102A14S2P](#) [CXS3102A181S](#)
[CXS3106A14S6S](#) [D38999/20FC8SA L/C](#) [MB12P-1](#) [MB12R-6](#) [7251-2PG-300](#) [7251-2SG-300](#) [7251-4PG-300](#) [7251-4SG-300](#) [7251-5PG-300](#)
[7251-5SG-300](#) [7251-6SG-300](#) [7251-7PG-300](#) [7251-8PG-300](#) [7271-6SG-300](#) [7282-3PG-300-CH3](#) [73000005663](#) [75-190011-03P](#) [75-190216-08S](#) [75-190218-10P](#) [75-214636-52P](#) [75-474118-10P](#) [75-474211-03P](#)