

PRODUCT BRIEF

FEATURES

- ▶ EPON ONU in an MSA SFP footprint
- ▶ Compliant with IEEE802.3ah EPON specifications
- ▶ Supports CTC OAM and DPoETM specifications
- ▶ Built-in Digital Diagnostics
- ▶ Single fiber bi-directional SC receptacle
- ▶ Compatible with EPON OLTs and CPE

OVERVIEW

Finisar's EPON Stick is an SFP transceiver with a built-in EPON ONU. The EPON Stick is in a standard MSA SFP footprint and is compliant with the IEEE802.3ah EPON standard, CTC OAM specifications, and DPoETM specifications. Digital diagnostic functions are available via the 2-wire serial bus as specified in the SFP MSA.

The EPON Stick provides a pluggable EPON ONU interface for networking equipment with an uplink SFP receptacle enabling these devices to be deployed in EPON networks for FTTx, business services, and wireless backhaul applications. The hosting devices include Ethernet switches, routers, wireless base stations, Ethernet demarcation devices, remote DSLAMs, home gateways and other customer premises equipment.

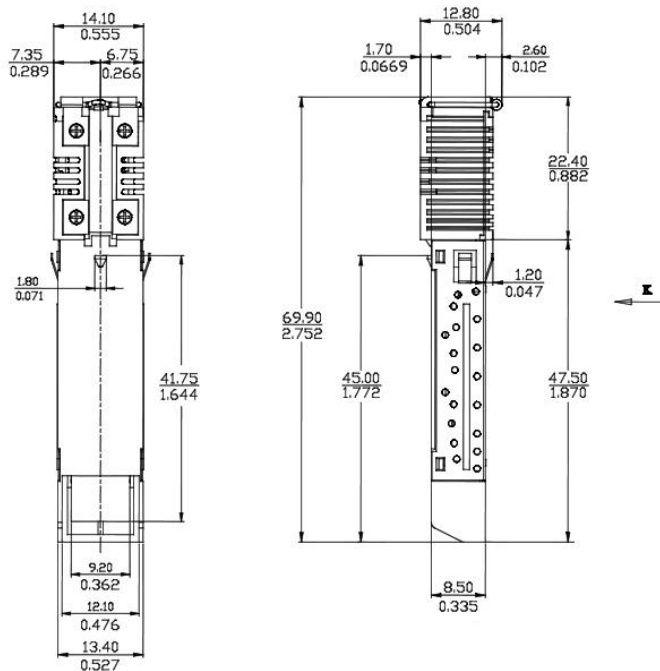


Part Number:	Link Budget	Application
FTEN2215P1CUN	PX10	
FTEN2216P1CUN	PX20	
FTEN2217P1CUN	PX20+	
FTEN2115P1NUN	PX10	CTC OAM
FTEN2116P1NUN	PX20	CTC OAM
FTEN2117P1NUN	PX20+	CTC OAM

EPON Stick - Pluggable SFP ONU

GENERAL SPECIFICATIONS

Parameter	Symbol	Min	Typ	Max	Unit
Supply Voltage	Vcc	3.15	3.3	3.45	V
Supply Current	Icc		500	620	mA
Transmitter					
Data Rate (Continuous Wave)	BR		1250		Mb/s
Center Wavelength (CW)	λ	1270	1310	1360	nm
RMS Spectral Width		Compliant with IEEE802.3ah			nm
Output Opt. Pwr	P _{OUT}				dBm
PX10		-1		4	
PX20		-1		4	
PX20+		0		4	
Transmitter eye		Compliant with IEEE802.3ah			
Optical Extinction Ratio	ER	9			dB
Receiver					
Data Rate	BR		1250		Mb/s
Optical Center Wavelength	λ_c	1480		1500	nm
Average Rx Sensitivity	R _{SENS}				dBm
PX10				-25	
PX20				-25	
PX20+				-27	



X-ON Electronics

Largest Supplier of Electrical and Electronic Components

Click to view similar products for [Fiber Optic Transmitters, Receivers, Transceivers](#) category:

Click to view products by [Finisar](#) manufacturer:

Other Similar products are found below :

[FWLF-1521-7D-47](#) [FWLF-1521-7D-61](#) [HFBR-1532ETZ](#) [HFBR-2541ETZ](#) [HFBR-2602Z](#) [AFBR-0548Z](#) [AFBR-1639Z](#) [AFBR-1539Z](#) [AFBR-2634Z](#) [AFCT-5962ATLZ](#) [FTLX3813M354](#) [HFBR-2531ETZ](#) [STV.2413-574-00262](#) [TRPRG1VA1C000E2G](#) [TORX1952\(6M,F\)](#)
[TOTX1350\(F\)](#) [TOTX1350\(V,F\)](#) [FTLX3813M349](#) [HFBR-2542ETZ](#) [SCN-1428SC](#) [AFBR-POC406L](#) [HFBR-2506AFZ](#) [FTLX1871M3BNL](#)
[FWLF-1521-7D-49](#) [HFBR-1542ETZ](#) [FWLF-1519-7D-49](#) [HFBR-2532ETZ](#) [AFBR-1541CZ](#) [TORX1355\(V,F\)](#) [AFBR-1521CZ](#) [LTK-ST11MB](#)
[TORX1355\(F\)](#) [HFD8003-002/XBA](#) [HFD3020-500-ABA](#) [S6846](#) [SCN-2638SC](#) [FTL410QE4N](#) [SCN-1570SC](#) [SCN-1601SC](#) [SCN-1338SC](#)
[HFBR-1505CFZ](#) [AFBR-1528CZ](#) [AFBR-1531CZ](#) [HFD3081-108-XBA](#) [HFD8003-500-XBA](#) [SCN-1255SC](#) [SCN-1383SC](#) [1019682](#) [1019683](#)
[1019705](#)