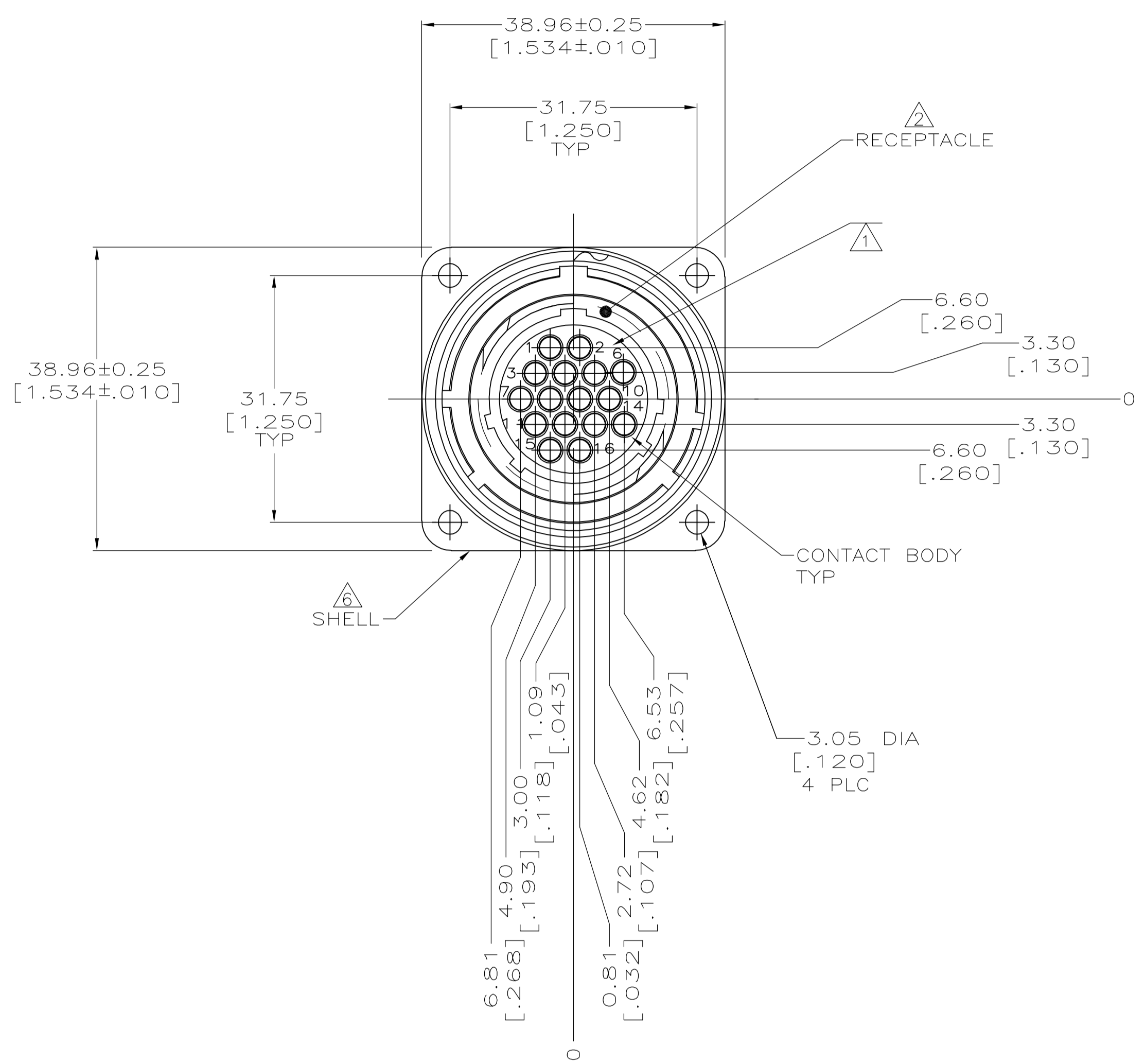
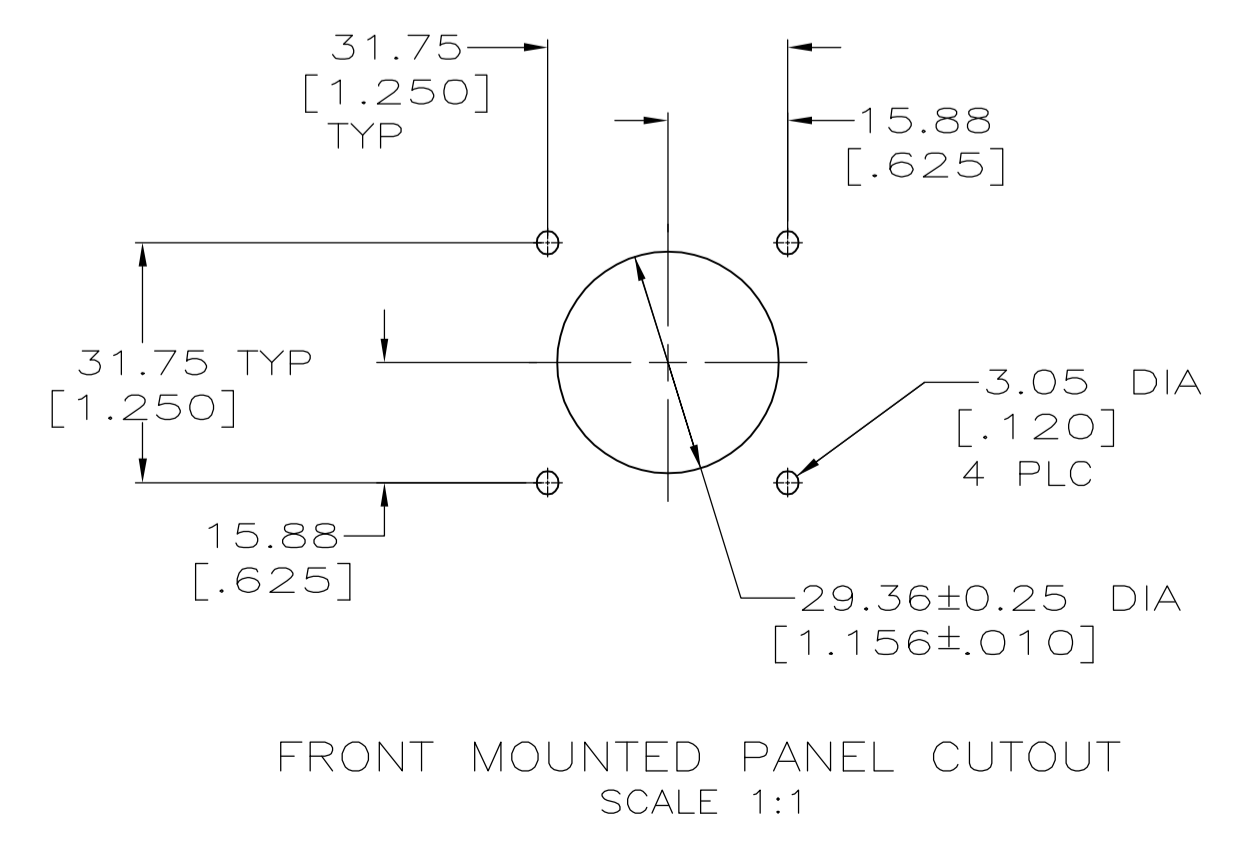
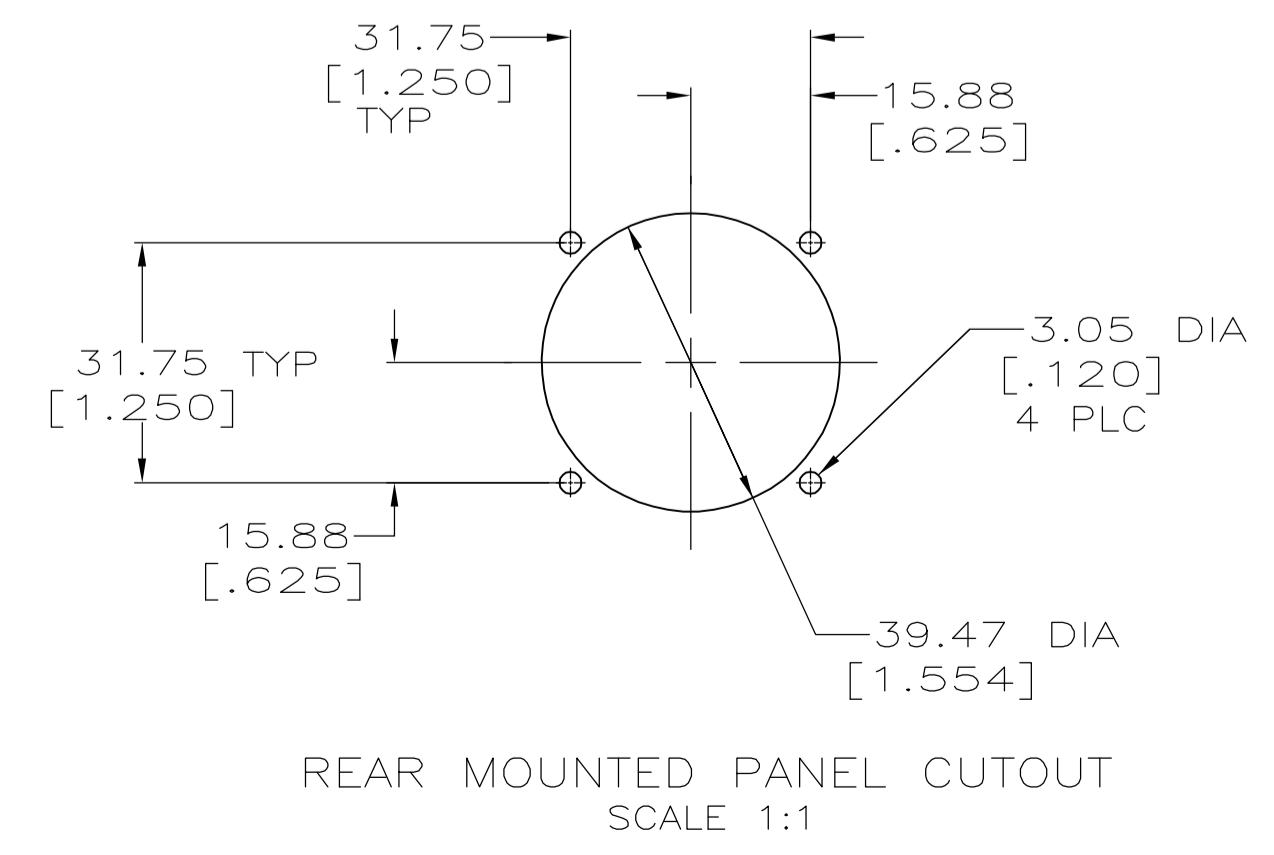
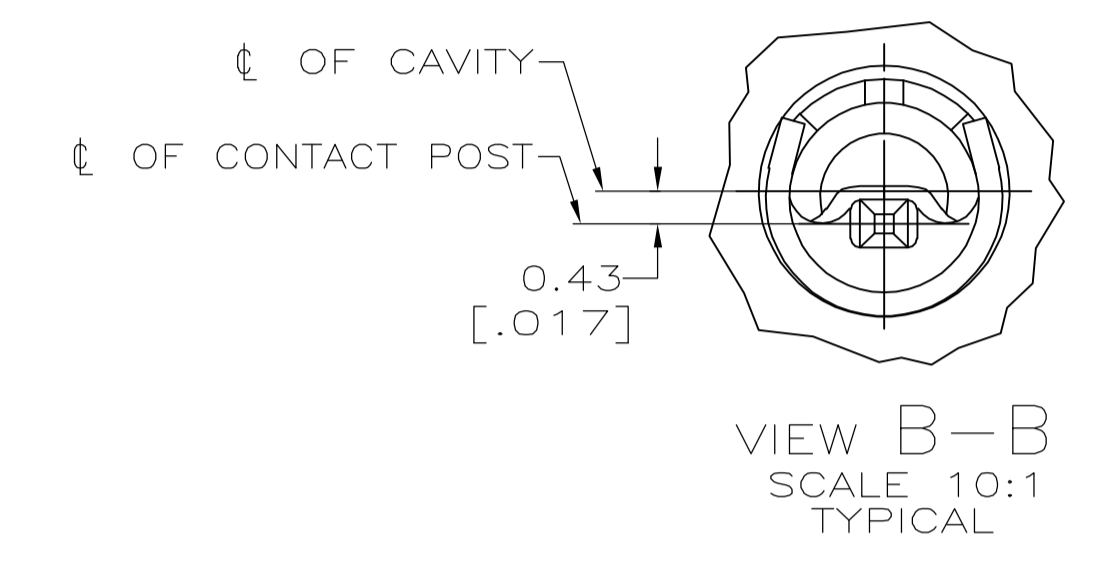
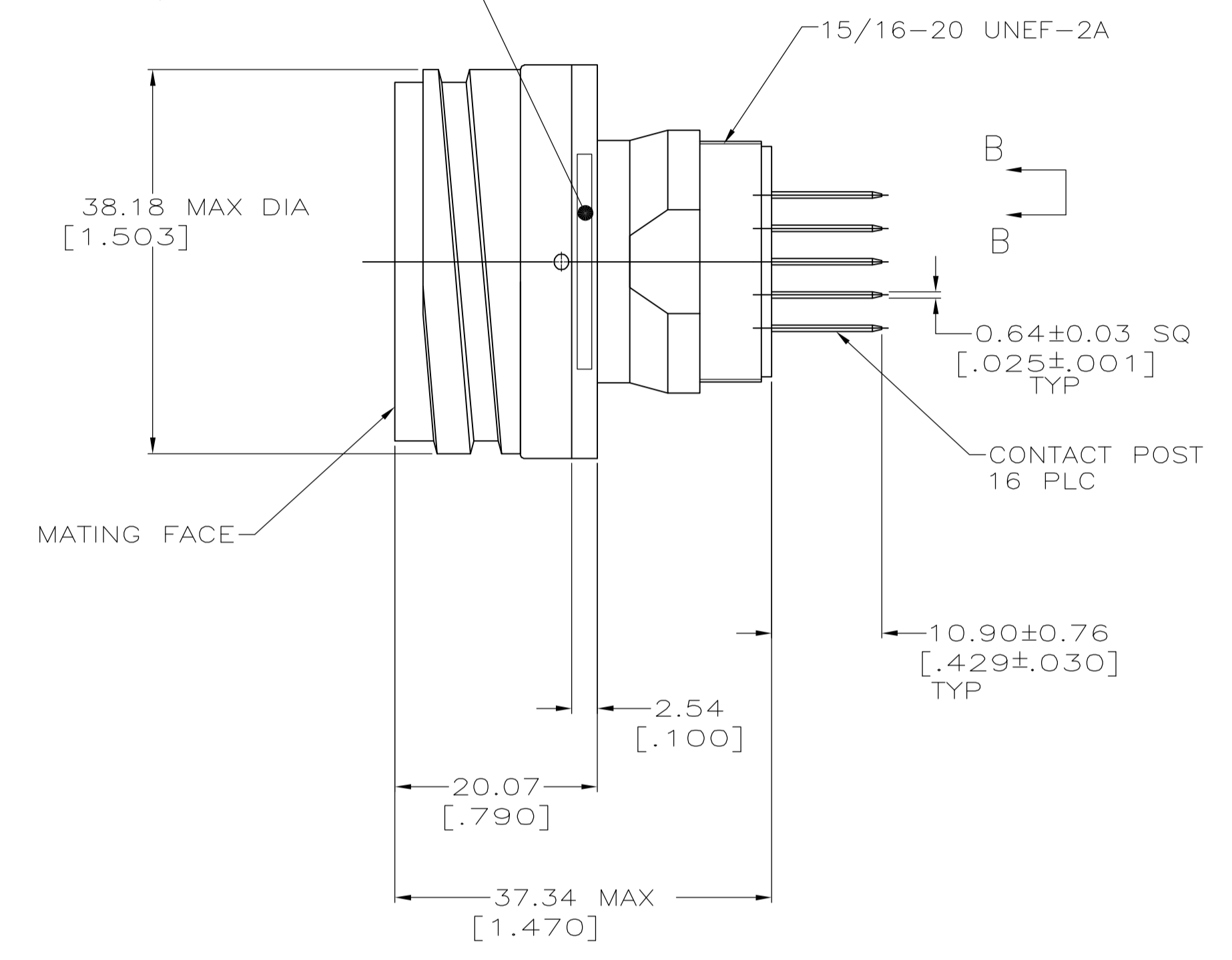


LOC		DIST		REVISIONS			
P	LTR	DESCRIPTION	DATE	OWN	APVD		
B		REVISED PER ECO-07-000208	1/4/07	SS	SH		



PART NO & DATE CODE MARKED IN AREA INDICATED, ON EITHER SIDE



- ① CAVITY IDENTIFICATION CHARACTERS ON FRONT AND REAR FACE.
- ② NYLON, UL 94V-0 RATED, BLACK.
- ③ CONTACT BODY: 0.76um[.000030] MIN GOLD FOR A LENGTH OF 5.08[.200] MIN FROM MATING END, GOLD FLASH ON REMAINDER, BOTH OVER 1.27um [.000050] MIN NICKEL.
- ④ CONTACT POST: 2.54um[.000100] MIN TIN-LEAD OVER 2.54um[.000100] MIN COPPER.
- ⑤ CONTACT POST: 2.54um[.000100] MIN TIN OVER 2.54um[.000100] MIN COPPER.
- ⑥ SHELL: 5.08um[.000200] MIN NICKEL OVER 10.16um[.000400] MIN COPPER.
- ⑦ NO CONTACTS IN POSITION 10 AND 11.

POST FINISH	PART NUMBER
⑤	213734-3
⑥	213734-2
④	213734-1

THIS DRAWING IS A CONTROLLED DOCUMENT.		DIN C. OBERMAN 1-6-92	Tyco Electronics Corporation Harrisburg, PA 17105-3608
DIMENSIONS: mm [INCHES]		CHK R. STONE 1-8-92	
TOLERANCES UNLESS OTHERWISE SPECIFIED:		APVD -	NAME
0 PLC ± -	1 PLC ± -	PRODUCT SPEC	RECEPTACLE ASSEMBLY, 22-16, STD SEX, CMC
2 PLC ± 0.13 [.005]	3 PLC ± -	APPLICATION SPEC	
4 PLC ± -	ANGLES ± -	SIZE	A1
MATERIAL -	FINISH -	WEIGHT -	00779
		CUSTOMER DRAWING	SCALE 2:1 SHEET 1 OF 1 REV B

## X-ON Electronics

Largest Supplier of Electrical and Electronic Components

*Click to view similar products for [Standard Circular Connector](#) category:*

*Click to view products by [TE Connectivity](#) manufacturer:*

Other Similar products are found below :

[C015](#) [10F006](#) [001](#) [1](#) [5M2530B10P](#) [600247N007](#) [600259N006](#) [600273N007](#) [600432N009](#) [6280-2PG-519](#) [6280-3PG-311](#) [6280-3SG-311](#)  
[6280-7SG-3DC](#) [6280-7SG-522](#) [6282-5PG-311](#) [6282-6PG-519](#) [6282-8SG-311](#) [6283-11](#) [6283-15](#) [6290](#) [6293](#) [6382-2PG-311](#) [6382-2PG-3DC](#)  
[6382-2SG-321](#) [6382-2SG-3DC](#) [6382-4SG-516](#) [67-03E20-37P](#) [681-PMG](#) [CXC3106A1811S](#) [CXS3102A14S2P](#) [CXS3102A181S](#)  
[CXS3106A14S6S](#) [D38999/20FC8SA](#) [L/C](#) [MB12P-1](#) [MB12R-6](#) [7251-2PG-300](#) [7251-2SG-300](#) [7251-4PG-300](#) [7251-4SG-300](#) [7251-5PG-300](#)  
[7251-5SG-300](#) [7251-6SG-300](#) [7251-7PG-300](#) [7251-8PG-300](#) [7271-6SG-300](#) [7282-3PG-300-CH3](#) [73000005663](#) [75-190011-03P](#) [75-190216-08S](#) [75-190218-10P](#) [75-214636-52P](#) [75-474118-10P](#) [75-474211-03P](#)