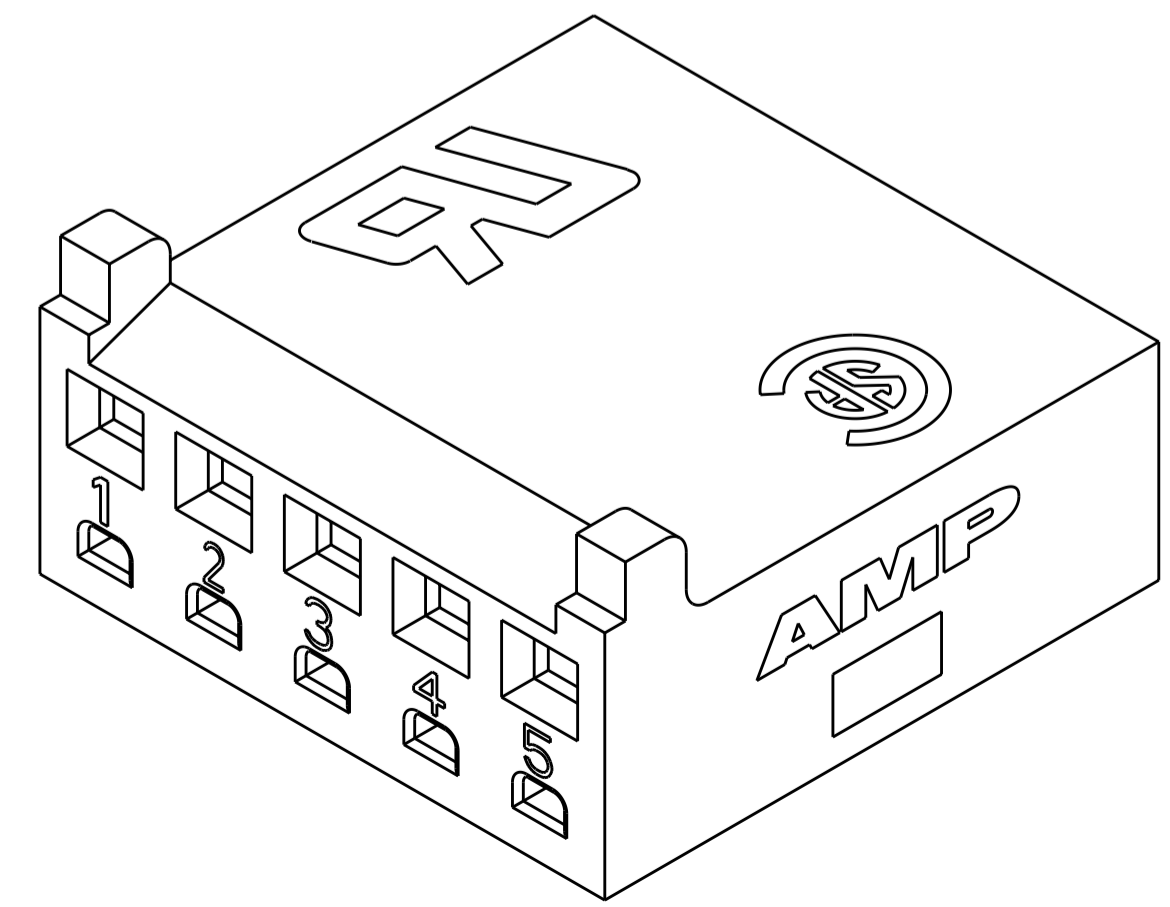
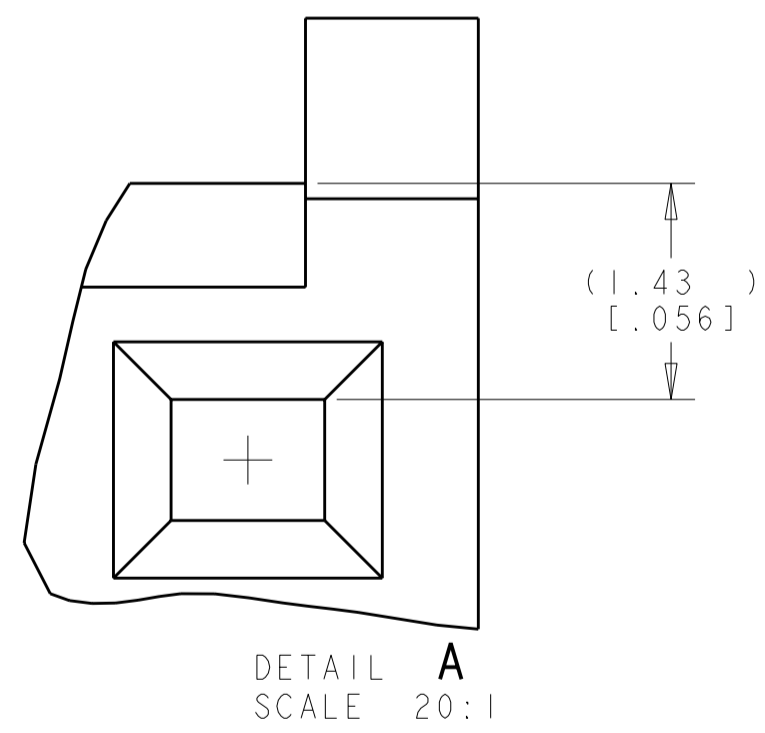
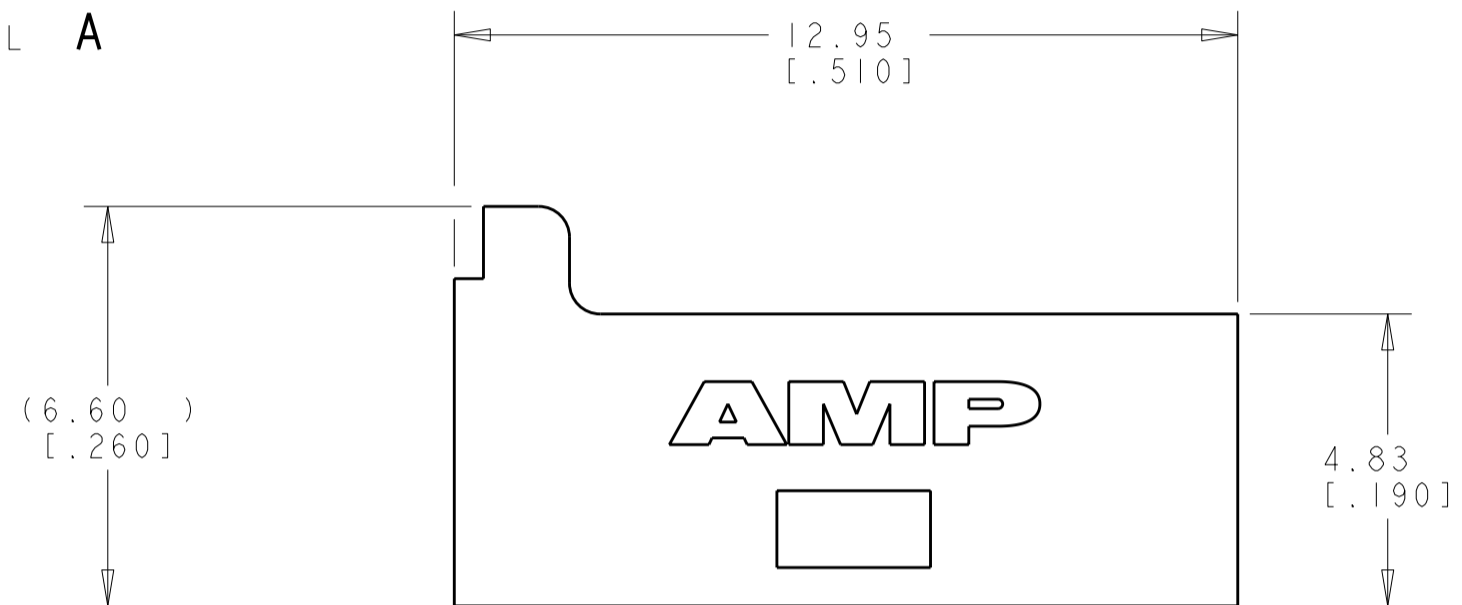
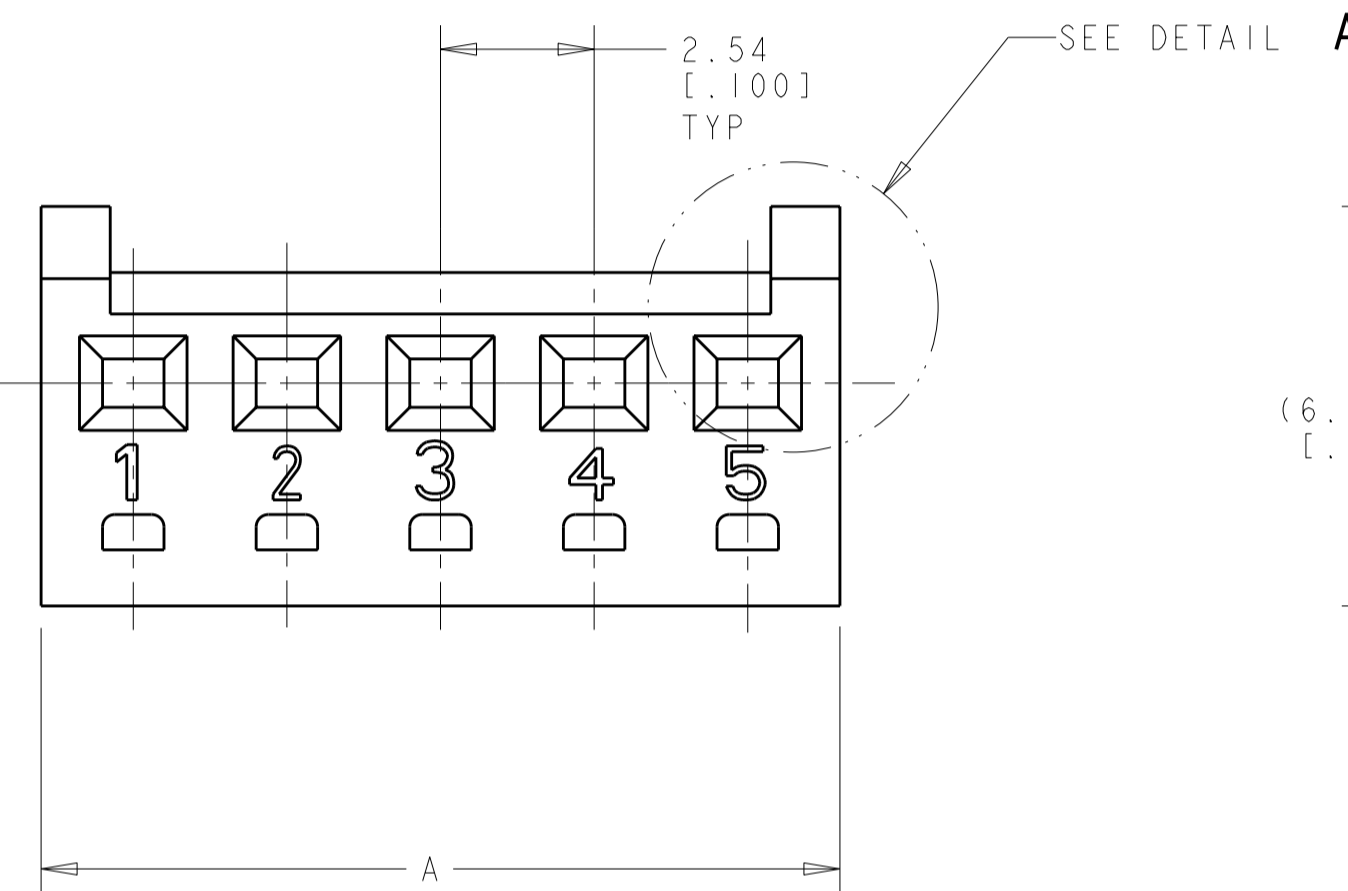


THIS DRAWING IS UNPUBLISHED. RELEASED FOR PUBLICATION 20
 © COPYRIGHT 20 ALL RIGHTS RESERVED.

| LOC | | DIST | | REVISIONS | | | |
|-----|-----|---------------------------|--|-----------|-----|------|--|
| P | LTR | DESCRIPTION | | DATE | DWN | APVD | |
| | P | REVISED PER ECO-11-005294 | | 06APR2011 | RK | HMR | |

1. ACCEPTS CONTACT P/N 1375819.
2. ACCEPTS MTA-100 KEYING PLUG P/N 641994-1.
3. DIMENSIONS IN BRACKETS ARE IN INCHES.
4. NOT FOR USE WITH CONTACT PART NUMBER 770601 OR 770666.



| DIM A | mm | INCH | NO OF CKTS | PART NO |
|-------------------|-------|------|-------------|---------|
| 71.63 | 2.820 | 28 | 2-1375820-8 | |
| 69.09 | 2.720 | 27 | 2-1375820-7 | |
| 66.55 | 2.620 | 26 | 2-1375820-6 | |
| 64.01 | 2.520 | 25 | 2-1375820-5 | |
| 61.47 | 2.420 | 24 | 2-1375820-4 | |
| 58.93 | 2.320 | 23 | 2-1375820-3 | |
| 56.39 | 2.220 | 22 | 2-1375820-2 | |
| 53.85 | 2.120 | 21 | 2-1375820-1 | |
| 51.31 | 2.020 | 20 | 2-1375820-0 | |
| 48.77 | 1.920 | 19 | 1-1375820-9 | |
| 46.23 | 1.820 | 18 | 1-1375820-8 | |
| 43.69 | 1.720 | 17 | 1-1375820-7 | |
| 41.15 | 1.620 | 16 | 1-1375820-6 | |
| 38.61 | 1.520 | 15 | 1-1375820-5 | |
| 36.07 | 1.420 | 14 | 1-1375820-4 | |
| 33.53 | 1.320 | 13 | 1-1375820-3 | |
| 30.99 | 1.220 | 12 | 1-1375820-2 | |
| 28.45 | 1.120 | 11 | 1-1375820-1 | |
| 25.91 | 1.020 | 10 | 1-1375820-0 | |
| 23.37 | .920 | 9 | 1375820-9 | |
| 20.83 | .820 | 8 | 1375820-8 | |
| 18.29 | .720 | 7 | 1375820-7 | |
| 15.75 | .620 | 6 | 1375820-6 | |
| 13.21 | .520 | 5 | 1375820-5 | |
| 10.67 | .420 | 4 | 1375820-4 | |
| 8.13 | .320 | 3 | 1375820-3 | |
| 5.59 | .220 | 2 | 1375820-2 | |
| DIM A +0.25/-0.13 | | | | |
| [+.010/-.005] | | | | |

THIS DRAWING IS A CONTROLLED DOCUMENT.

DWN: K. WHITAKER 21-JUNE-2001
 CHK: J. ELLIS 21-JUNE-2001
 APVD: J. ELLIS 21-JUNE-2001

PRODUCT SPEC: 108-1948
 APPLICATION SPEC: 114-13036

MATERIAL: NYLON

TE Connectivity
 HOUSING, CST-100 11

SIZE: A2 CAGE CODE: 00779 DRAWING NO: 1375820

SCALE: 8:1 SHEET: 1 OF 1 REV: P



X-ON Electronics

Largest Supplier of Electrical and Electronic Components

Click to view similar products for [Headers & Wire Housings](#) category:

Click to view products by [TE Connectivity](#) manufacturer:

Other Similar products are found below :

[95000-104TRLF](#) [10135584-644402LF](#) [DF62W-EP2022PCA](#) [95000-106TRLF](#) [DF62W-2022SCA](#) [DF62W-EP2022PC](#) [2203348](#) [DF62W-2022SC](#) [1084018](#) [1029039](#) [1084017](#) [802-10-012-10-002000](#) [1112640](#) [1112639](#) [891-007-9SS-BST1T](#) [000-34000](#) [0008550134](#) [0009482033](#) [0009507031](#) [57102-F02-18ULF](#) [57102-S06-03LF](#) [57202-S52-04LF](#) [PCN6-15S-2.5E](#) [0039019024](#) [58102-G61-06LF](#) [582553-1](#) [0009485154](#) [0009508121](#) [0022285053](#) [0050291907](#) [018731A](#) [LY20-4P-DT1-P1E-BR](#) [02.125.8002.8](#) [60101931](#) [60598-1 \(Cut Strip\)](#) [M1625-3R/100](#) [61062-3](#) [61082-181009](#) [CSU011177004](#) [636-1427](#) [638009-1](#) [641938-9](#) [641991-4](#) [644168-1](#) [644827-2](#) [647662-1](#) [65039-019ELF](#) [65692-001LF](#) [65781-018](#) [65781-047](#)