

THIS DRAWING IS UNPUBLISHED. RELEASED FOR PUBLICATION
 © COPYRIGHT - By - ALL RIGHTS RESERVED.


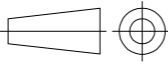
LOC		DIST		REVISIONS			
P	LTR	DESCRIPTION		DATE	DWN	APVD	
	A5	NOTE 3 ADDED REFLECTING SHIPPER QTY DETAILS		31JAN2013	KJK	RP	

	SMALL PACK PART NUMBER	UNIT PACK QTY [QTY/ PLASTIC BOX]	BULK PACKAGING	
			PART NUMBER	
	0 1377174 1	100	0-0320861-0	
	0 1377174 2	100	0-0320862-0	
	0 1377174 3	100	0-0320863-0	
	0 1377174 4	50	0-0130496-0	
OBSOLETE	0 1377174 5	50	0-0130620-0	
	0 1377174 6	50	0-0130625-0	
	0 1377174 7	50	0-0032510-0	
	0 1377174 8	50	0-0326865-0	
	0 1377174 9	100	0-0165514-1	
	1 1377174 0	100	0-0165142-0	
	1 1377174 1	100	0-0165168-0	
	1 1377174 2	100	0-0131331-0	
	1 1377174 3	100	0-0165046-0	
	1 1377174 4	100	0-0165172-0	
	1 1377174 5	100	9-0160402-2	
	1 1377174 6	100	0-0131330-0	
	1 1377174 7	50	0-0165049-0	
	1 1377174 8	50	0-0160404-2	
	1 1377174 9	100	0-0323994-0	
OBSOLETE	2 1377174 0	100	0-0323975-0	
	2 1377174 1	100	0-0320559-0	
	2 1377174 2	50	0-0320562-0	
	2 1377174 3	25	0-0320570-0	
	2 1377174 4	50	0-0141462-1	
	2 1377174 5	50	0-0165590-1	
OBSOLETE	2 1377174 6	50	0-0141460-1	
	2 1377174 7	50	0-0160214-0	
	2 1377174 8	50	0-0160215-0	
	2 1377174 9	50	0-0141456-1	
OBSOLETE	3 1377174 0	50	0-0165591-1	
	3 1377174 1	50	0-0141452-1	
	3 1377174 2	50	0-0165429-1	
	3 1377174 3	50	0-0165400-1	
OBSOLETE	3 1377174 4	100	5-0160321-2	
OBSOLETE	3 1377174 5	100	0-0160625-2	
OBSOLETE	3 1377174 6	100	0-0160626-1	
OBSOLETE	3 1377174 7	100	0-0160626-2	
	3 1377174 8	100	5-0160490-1	
	3 1377174 9	100	5-0160491-1	
	4 1377174 0	100	5-0160491-2	
OBSOLETE	4 1377174 1	100	5-0160506-1	
	4 1377174 2	100	5-0160506-2	
OBSOLETE	4 1377174 3	50	5-0160506-3	
	4 1377174 4	100	1-0160304-0	
	4 1377174 5	100	1-0160304-2	
	4 1377174 6	50	2-0160304-4	
	4 1377174 7	100	1-0160304-8	
OBSOLETE	4 1377174 8	100	1-0160305-3	
	4 1377174 9	100	1-0160305-6	
OBSOLETE	5 1377174 0	50	0-0160305-5	
	5 1377174 1	50	0-0140814-1	
	5 1377174 2	50	0-0140814-2	
	5 1377174 3	100	0-0141879-1	
	5 1377174 4	50	0-0140734-1	
OBSOLETE	5 1377174 5	50	0-0140608-0	
	5 1377174 6	50	0-0142241-1	
OBSOLETE	5 1377174 7	50	0-0041480-0	
	5 1377174 8	50	0-0141878-1	
	5 1377174 9	50	0-0141878-2	
OBSOLETE	6 1377174 0	50	0-0041291-0	
	6 1377174 1	50	0-0140665-0	
	6 1377174 2	50	0-0181949-1	
OBSOLETE	6 1377174 3	50	0-181949-2	
	6 1377174 4	50	0-0181948-1	
OBSOLETE	6 1377174 5	10	0-0163179-1	
OBSOLETE	6 1377174 6	10	0-0140714-3	
	6 1377174 7	10	0-0180909-0	
	6 1377174 8	50	2-0180930-0	
OBSOLETE	6 1377174 9	50	1-0925017-0	

	SMALL PACK PART NUMBER	UNIT PACK QTY [QTY/ PLASTIC BOX]	BULK PACKAGING	
			PART NUMBER	
OBSOLETE	7 1377174 0	100	0-0925387-1	
OBSOLETE	7 1377174 1	50	1-0480435-0	
OBSOLETE	7 1377174 2	50	0-0925068-0	
OBSOLETE	7 1377174 3	100	0-0735052-0	
OBSOLETE	7 1377174 4	50	0-0926539-1	
	7 1377174 5	50	0-0926539-5	
	7 1377174 6	50	0-0735075-0	
	7 1377174 7	50	0-0165619-2	
OBSOLETE	7 1377174 8	50	0-0165619-5	
	7 1377174 9	50	0-0165563-1	
	8 1377174 0	50	0-0165564-1	
	8 1377174 1	50	0-0165565-1	
	8 1377174 2	50	0-0165565-2	
	8 1377174 3	50	0-0165566-1	
	8 1377174 4	50	0-0165566-2	
	8 1377174 5	50	9-0160481-1	
	8 1377174 6	100	9-0160481-5	
	8 1377174 7	50	9-0160483-1	
OBSOLETE	8 1377174 8	100	9-0160483-5	
	8 1377174 9	100	0-0140805-2	
	9 1377174 0	100	0-0140948-1	
	9 1377174 1	100	9-0160583-2	
	9 1377174 2	100	9-0160583-5	
OBSOLETE	9 1377174 3	100	0-0165614-2	
	9 1377174 4	100	0-0165615-2	
	9 1377174 5	50	0-0165616-2	
	9 1377174 6	50	0-0165616-5	
	9 1377174 7	100	0-0165617-2	
OBSOLETE	9 1377174 8	100	0-0165617-5	
	9 1377174 9	100	9-0160477-2	

NOTE:

- 1. OBSOLETE PARTS: OBSOLETE CIS STREAMLINING PER D.RENAUD/D.SINISI
- 2. REFERENCE:
PN 1377172
1377173
1377174
1377175
- 3. SHIPPER QTY = 20 X QTY/PLASTIC BOX FOR ALL PART NUMBERS

THIS DRAWING IS A CONTROLLED DOCUMENT.		DWN RvH 26-03-02	 TE Connectivity	
DIMENSIONS: mm		CHK A. BIJNEN 26-03-02		
TOLERANCES UNLESS OTHERWISE SPECIFIED:		APVD A. BIJNEN 26-03-02	NAME SMALL PACK	
		PRODUCT SPEC	SIZE A2	
0 PLC ± - 1 PLC ± - 2 PLC ± - 3 PLC ± - 4 PLC ± - ANGLES ± -		APPLICATION SPEC	CAGE CODE 00779	DRAWING NO C=1377174
MATERIAL -	FINISH -	WEIGHT -	RESTRICTED TO -	SCALE -
CUSTOMER DRAWING			SHEET 1 of 1	REV A5

X-ON Electronics

Largest Supplier of Electrical and Electronic Components

Click to view similar products for [Terminals](#) category:

Click to view products by [TE Connectivity](#) manufacturer:

Other Similar products are found below :

[HT-13-10](#) [71M-250-32-NB](#) [01-2065-1-0216](#) [00581P0075](#) [M10-10RX](#) [M10BCK](#) [60205-1](#) [604200-1](#) [60598-1-CUT-TAPE](#) [60617-1-C](#) [60873-1](#) [M14-516R/SK](#) [M14-6RSX](#) [M18-10FLX](#) [M18-8FBX](#) [M18-8R/LX](#) [M18BCK](#) [61314-6-C](#) [61-S](#) [61-SN-A](#) [62-NBM-A](#) [63-S](#) [640179-1](#) [640917-2-CUT-TAPE](#) [6501550002](#) [66107-2-C](#) [66107-4-C](#) [696683-1](#) [696834-1](#) [696861-1](#) [696931-1](#) [696999-1](#) [M8-516RK](#) [M86700006](#) [MA250DMFMX-A](#) [701-2007](#) [701-2307](#) [701-7761-03](#) [70F-110-32-PB](#) [718-N-A](#) [71M-187-20-NBL](#) [71M-250-32-NBL](#) [72F-187-20-NBL](#) [72M-250-32-NBL](#) [7310](#) [73F-250-32](#) [73F-250-32-NBL](#) [73F-250-32-NL](#) [F14-10C](#) [F-1M](#)