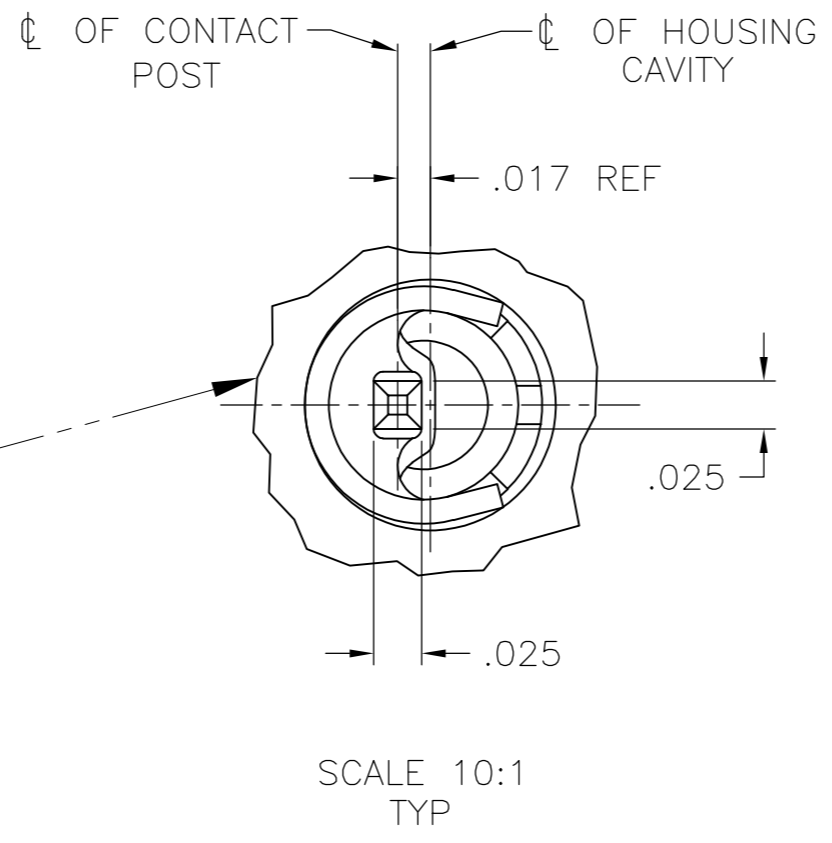
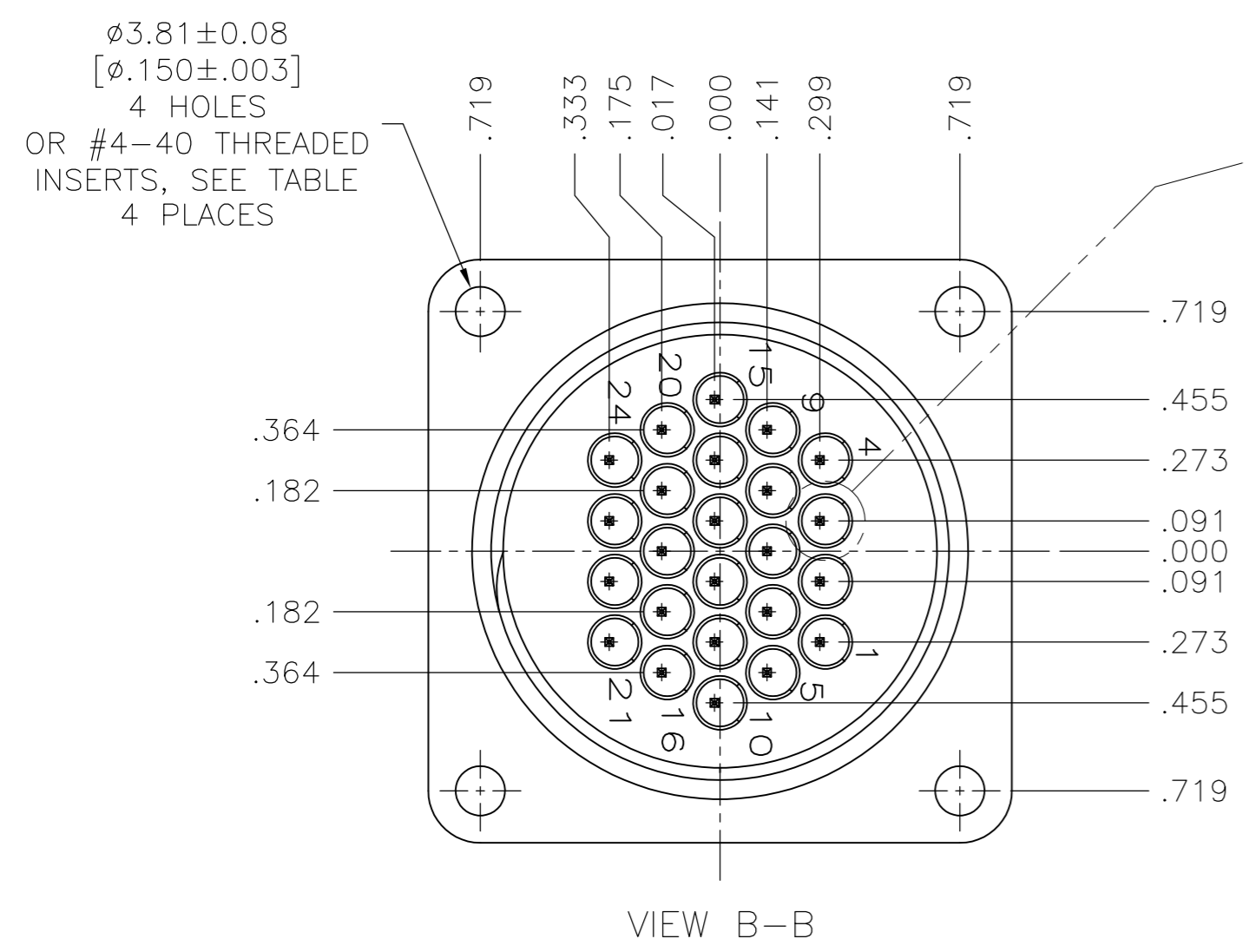
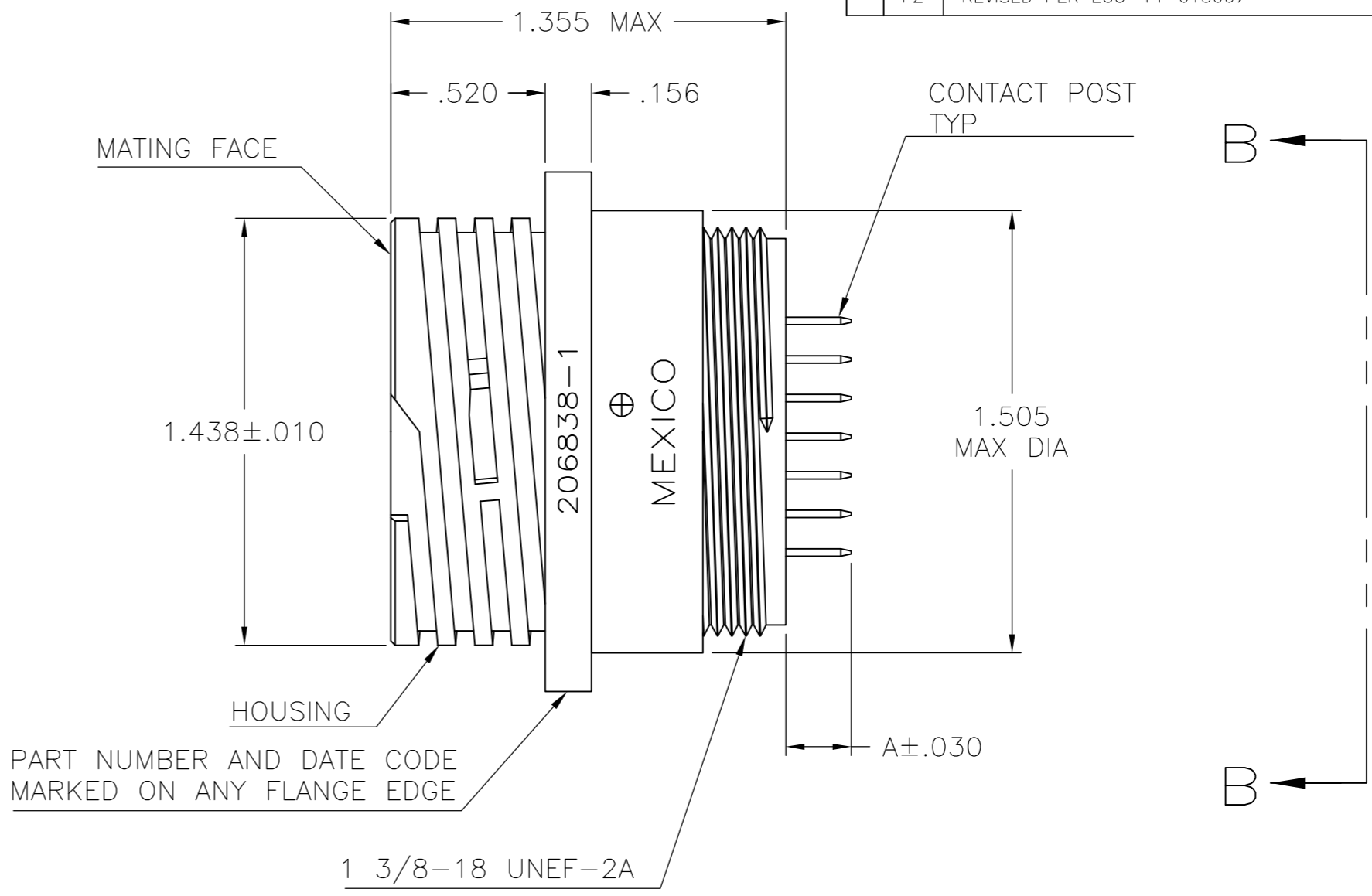
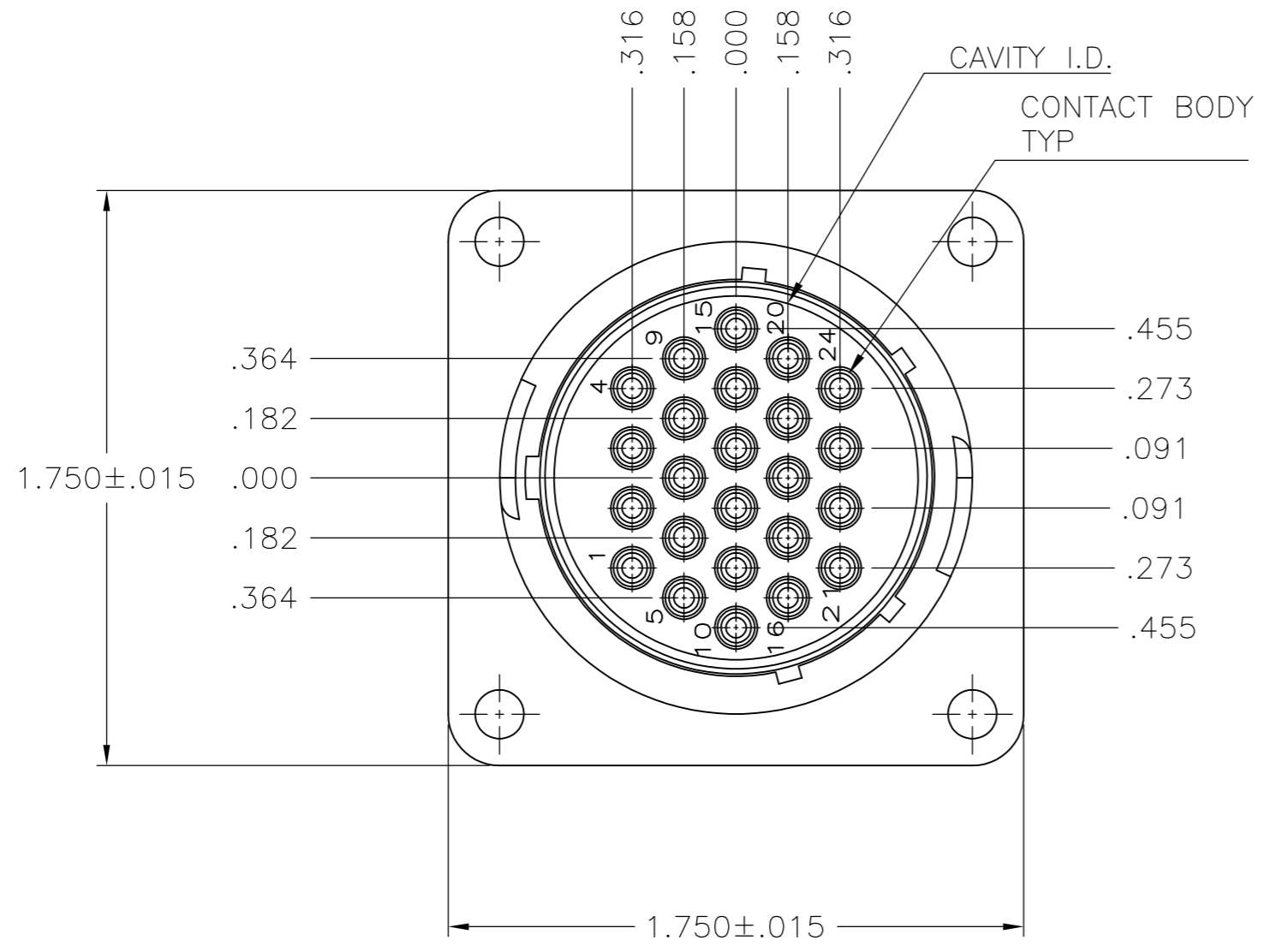


THIS DRAWING IS UNPUBLISHED. RELEASED FOR PUBLICATION  
 © COPYRIGHT - By - ALL RIGHTS RESERVED.

LOC		DIST		REVISIONS			
P	LTR	DESCRIPTION	DATE	DWN	APVD		
FT	0						
F2		REVISED PER ECO-14-013067	27AUG2014	NK	MZ		



- 1 MATERIALS:  
HOUSING: UL 94V-0, BLACK  
CONTACT SPRING: STAINLESS STEEL  
CONTACT BODY AND POST: BRASS  
4-40 THREADED INSERT: BRASS
- 2 CONTACT BODY: .000030 MIN GOLD FOR A LENGTH OF .200 MIN FROM MATING END. GOLD FLASH ON CONTACT
- 3 CONTACT POST: .000100 MIN TIN-LEAD OVER .000050 MIN NICKEL.
- 4 CONTACT POST: .000100 MIN TIN OVER .000050 MIN NICKEL.
- 5 RECOMMENDED PC BOARD HOLE SIZE FOR CONTACT POST = .050 ± .003 DIA.

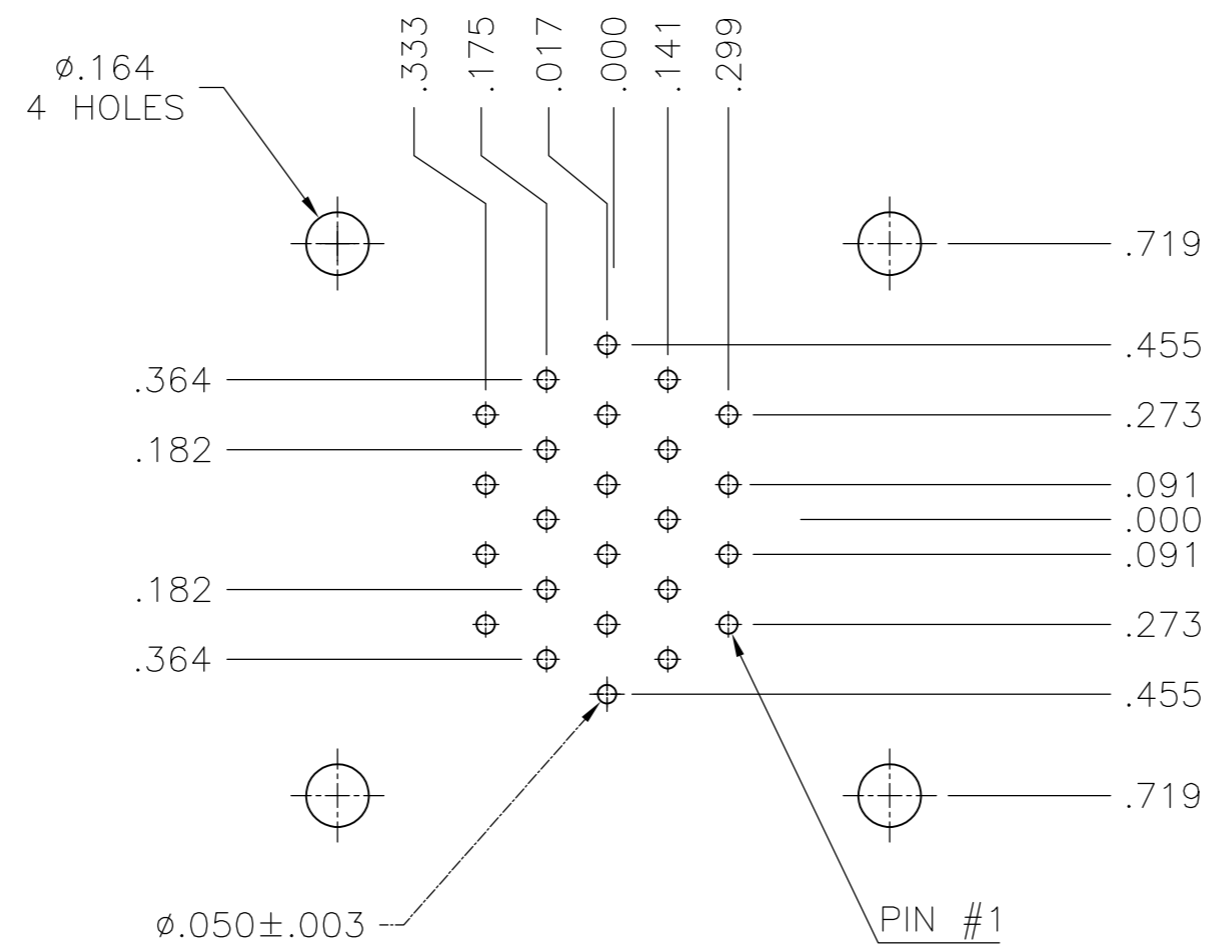
DIM A	THREADED INSERTS	POST FINISH	PART NUMBER
.267	YES	4	213780-5
.130	YES	4	213780-4
.220	YES	3	213780-3
.220	NO	4	213780-2
.220	NO	3	213780-1

THIS DRAWING IS A CONTROLLED DOCUMENT.

DIMENSIONS: INCHES	TOLERANCES UNLESS OTHERWISE SPECIFIED:	DWN W.LENKER 08/20/93	CHK R.STONE 08/24/93	TE Connectivity	
0 PLC ± -	1 PLC ± -	APVD -	NAME	RECEPTACLE ASSEMBLY, POSTED, STD SEX, SERIES 1, 23-24, CPC	
2 PLC ± .005	3 PLC ± -	PRODUCT SPEC 108-10024	SIZE A2	CAGE CODE 00779	DRAWING NO C=213780
4 PLC ± -	ANGLES ± -	APPLICATION SPEC 114-10038	RESTRICTED TO	-	
MATERIAL 1	FINISH -	WEIGHT -	SCALE 2:1	SHEET 1 of 2	REV F2
CUSTOMER DRAWING					

THIS DRAWING IS UNPUBLISHED. RELEASED FOR PUBLICATION  
 © COPYRIGHT - By - ALL RIGHTS RESERVED.

LOC	DIST	REVISIONS					
FT	0	P	LTR	DESCRIPTION	DATE	DWN	APVD
		-	-	SEE SHEET 1	-	-	-



RECOMMENDED P.C. BOARD LAYOUT  
 BOTTOM SIDE

THIS DRAWING IS A CONTROLLED DOCUMENT.		DWN W.LENKER 08/20/93																				
DIMENSIONS: INCHES		CHK R.STONE 08/24/93																				
TOLERANCES UNLESS OTHERWISE SPECIFIED:		APVD -	NAME RECEPTACLE ASSEMBLY, POSTED, STD SEX, SERIES 1, 23-24, CPC																			
<table border="1"> <tr><td>0 PLC</td><td>±</td><td>-</td></tr> <tr><td>1 PLC</td><td>±</td><td>-</td></tr> <tr><td>2 PLC</td><td>±</td><td>.005</td></tr> <tr><td>3 PLC</td><td>±</td><td>-</td></tr> <tr><td>4 PLC</td><td>±</td><td>-</td></tr> <tr><td>ANGLES</td><td>±</td><td>-</td></tr> </table>		0 PLC	±	-	1 PLC	±	-	2 PLC	±	.005	3 PLC	±	-	4 PLC	±	-	ANGLES	±	-	PRODUCT SPEC 108-10024	SIZE A2	
0 PLC	±	-																				
1 PLC	±	-																				
2 PLC	±	.005																				
3 PLC	±	-																				
4 PLC	±	-																				
ANGLES	±	-																				
MATERIAL		APPLICATION SPEC 114-10038	CAGE CODE 00779	DRAWING NO C-213780																		
FINISH -		WEIGHT -	RESTRICTED TO -																			
		CUSTOMER DRAWING		SCALE 2:1																		
		SHEET 2 OF 2		REV F2																		

## X-ON Electronics

Largest Supplier of Electrical and Electronic Components

*Click to view similar products for [Standard Circular Connector](#) category:*

*Click to view products by [TE Connectivity](#) manufacturer:*

Other Similar products are found below :

[C015 10F006 001 1](#) [5M2530B10P](#) [600247N007](#) [600259N006](#) [600273N007](#) [600432N009](#) [6280-2PG-519](#) [6280-3PG-311](#) [6280-3SG-311](#)  
[6280-7SG-3DC](#) [6280-7SG-522](#) [6282-5PG-311](#) [6282-6PG-519](#) [6282-8SG-311](#) [6283-11](#) [6283-15](#) [6290](#) [6293](#) [6382-2PG-311](#) [6382-2PG-3DC](#)  
[6382-2SG-321](#) [6382-2SG-3DC](#) [6382-4SG-516](#) [67-03E20-37P](#) [681-PMG](#) [CXC3106A1811S](#) [CXS3102A14S2P](#) [CXS3102A181S](#)  
[CXS3106A14S6S](#) [D38999/20FC8SA L/C](#) [MB12P-1](#) [MB12R-6](#) [7251-2PG-300](#) [7251-2SG-300](#) [7251-4PG-300](#) [7251-4SG-300](#) [7251-5PG-300](#)  
[7251-5SG-300](#) [7251-6SG-300](#) [7251-7PG-300](#) [7251-8PG-300](#) [7271-6SG-300](#) [7282-3PG-300-CH3](#) [73000005663](#) [75-190011-03P](#) [75-190216-08S](#) [75-190218-10P](#) [75-214636-52P](#) [75-474118-10P](#) [75-474211-03P](#)