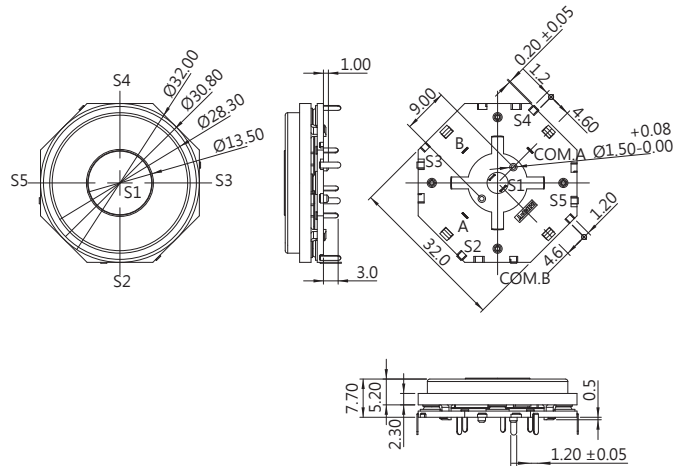


ROTARY SWITCHES



DIMENSIONS

Unless otherwise specified, a tolerance of $\pm 0.4\text{mm}$ applies to all dimensions.



ANQ SERIES

SPECIFICATIONS

Operating Force

Rotation - Max.60 gf-cm
5 way switch - Max. 300 gf

Contact Resistance (initial)

Max. 300m Ω
Measured by ohm meter - open voltage < 1VDC, Driver current - 100mA

Insulation Resistance (at 100VDC/minute)

Min. 100M Ω

Operating Temperature Range

0°C to 40°C

Electrical Service Life

Rotation - Min. 200,000 operations
C.W. 100,000 & C.C.W 100,000 operations
Push - Min. 200,000 operations

Electrical Operating Frequency

Rotation - 30 operations per minute
Push - 120 operations per minute

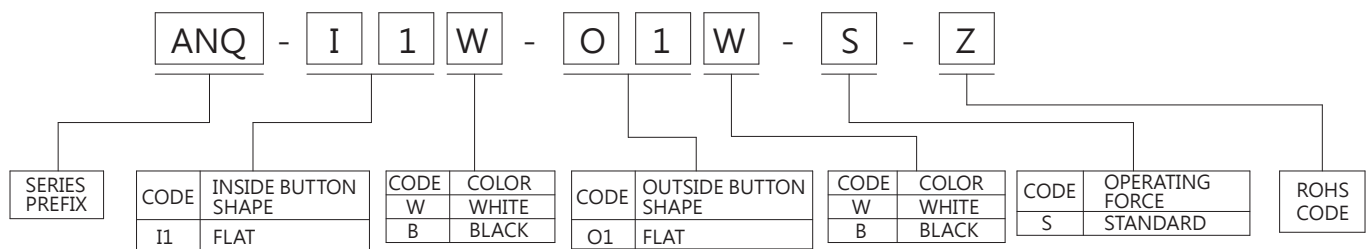
RATING

1mA 10VDC

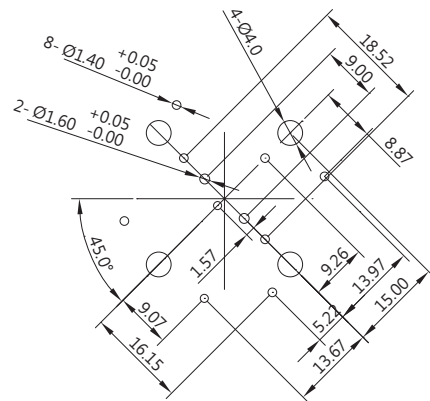
APPLICATIONS

Remote controls, Tablets, Keyboards, Audios, Mp3 players, Notebooks, Mobile phones, Control Panel

ORDERING INFORMATION

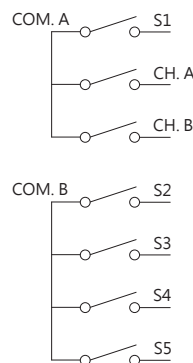


MOUNTING HOLES

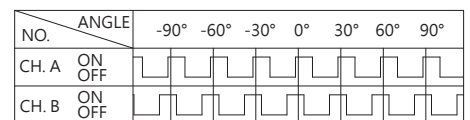


CONTACT CONFIGURATION

Functional Block Diagram



Rotational Output Waveform



CW ← → CCW

Numbers of detent : 24

Pulse/Rotation : 12 pulse/360°

X-ON Electronics

Largest Supplier of Electrical and Electronic Components

Click to view similar products for [Encoders](#) category:

Click to view products by [Zippy](#) manufacturer:

Other Similar products are found below :

[6-1393048-5](#) [62AG22-H5-P](#) [62B22-LP-030C](#) [62D22-02-P](#) [62R22-01-040S](#) [63K25](#) [63K32](#) [63KS100](#) [63KS64](#) [63R100](#) [63R50-020](#) [63RS256-060](#) [700-09-36](#) [E6C2-CWZ6C-10 500P/R 5M](#) [E6C3-CWZ5GH 1000P/R 2M](#) [25LB22-G-Z](#) [T101-5C2-111-M1](#) [T101-5C3-111-M1](#) [T101-5C4-111-M1](#) [25LB45-Q-Z](#) [HEDS-8905](#) [385001M0439](#) [385001M0216](#) [DPL12SV2424A25K3](#) [E69-1](#) [E69-DF15](#) [E69-FBA-02](#) [E69-FCA](#) [E6B2-CWZ1X 2000P/R 0.5M](#) [E6B2-CWZ3E 600P/R 0.5M](#) [E6C3-CWZ3EH 800P/R 2M](#) [ENA1D-472-L00050L](#) [61S64-2](#) [62B11-LP-100S](#) [62B11-LPP-P](#) [62C1111-02-020C](#) [62N11-P](#) [62S22-H9-120S](#) [62S30-L0-200C](#) [62V15-02-080S](#) [62V22-02-030C](#) [632911-128](#) [63K64](#) [63KS100-040](#) [63R64-050](#) [63RS256](#) [63RS64](#) [700-16-16](#) [3-1393048-1](#) [63KS128](#)