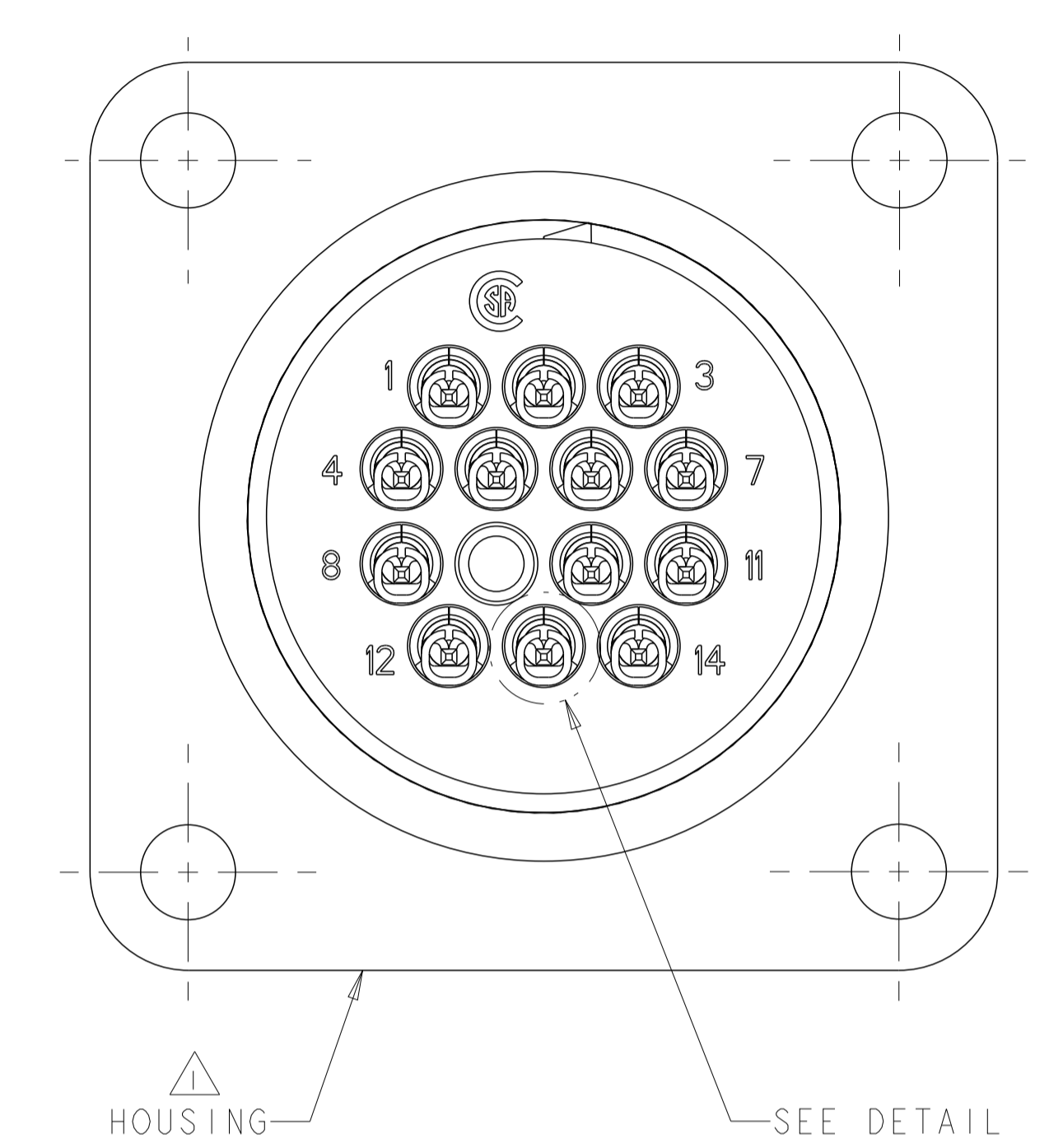
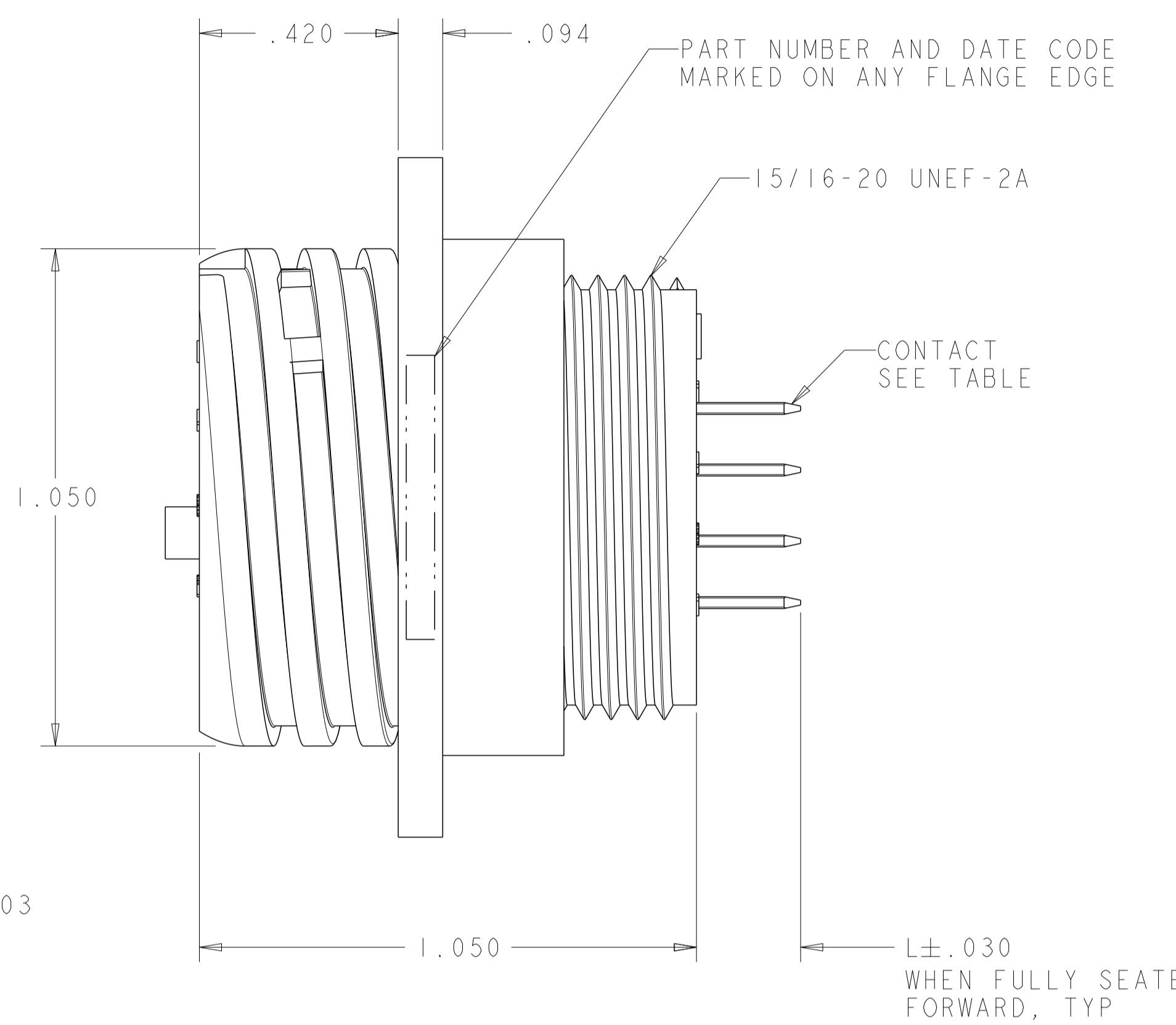
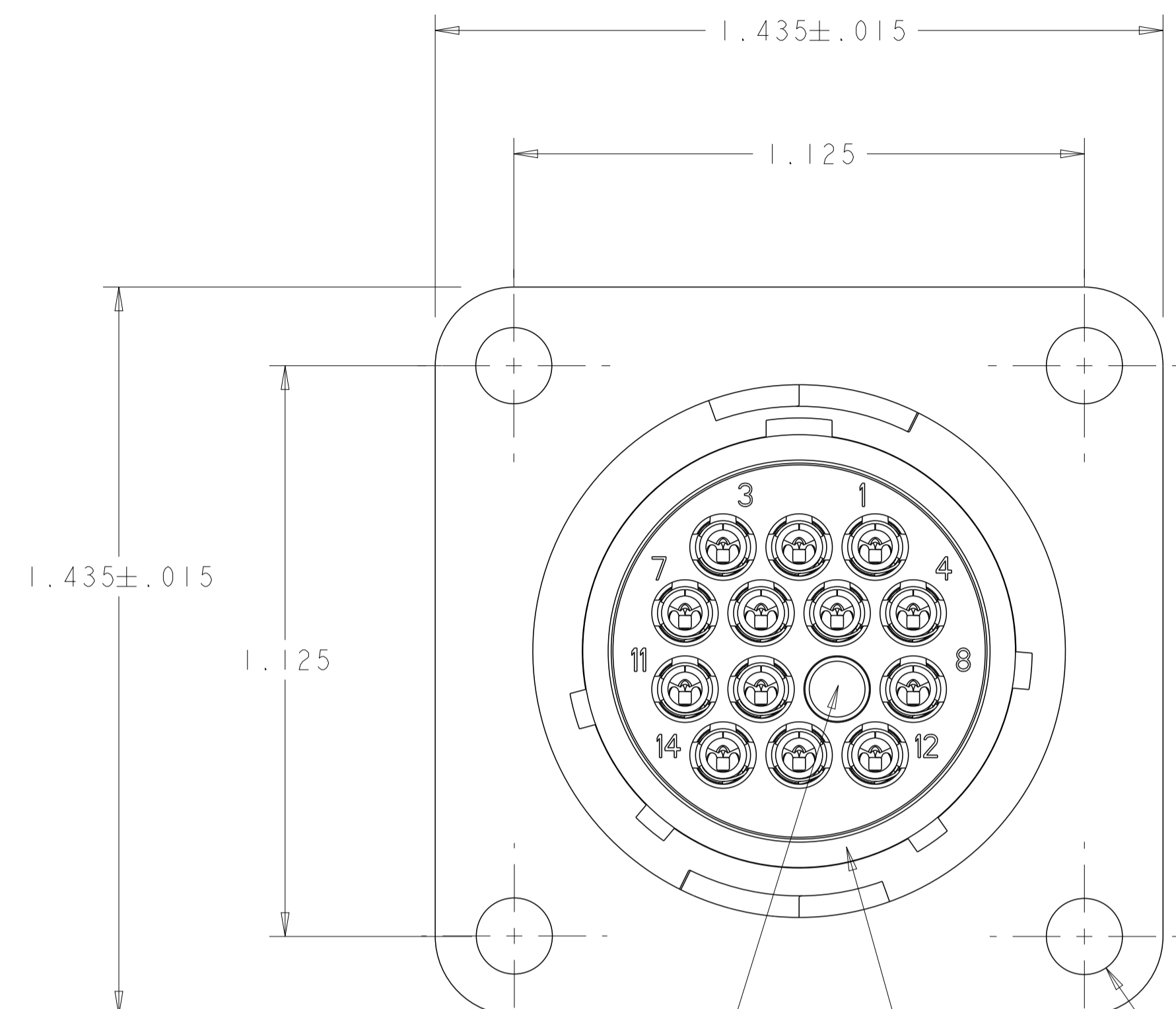
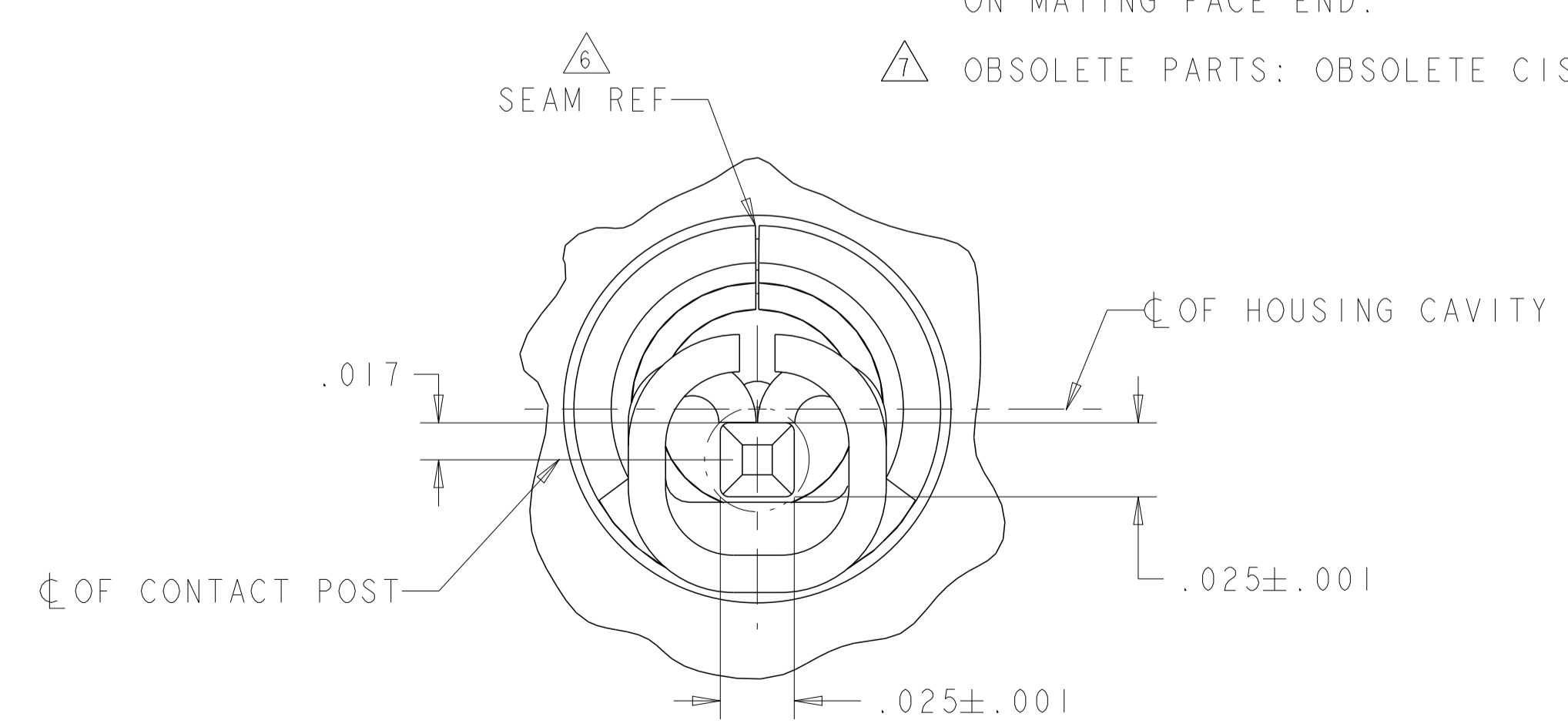


LOC	DIST	REVISIONS					
FT	0	P	LTN	DESCRIPTION	DATE	DWN	APVD
		R		REVISED PER ECO-12-015665	26SEP12	KH	MZ



KEYING PLUG SEE TABLE  
 PERIPHERAL SEAL SEE TABLE  
 Ø .150±.003 4 PLC

- 1 HOUSING: NYLON, UL 94 V-0 RATED, BLACK.
- 2 CONTACT:  
 BODY - BRASS, .000100 MIN TIN-LEAD OVER .000050 MIN NICKEL.  
 POST - BRASS, .000100 MIN TIN-LEAD OVER .000050 MIN NICKEL.
- 3 CONTACT:  
 BODY - BRASS, .000100 MIN TIN OVER .000050 MIN NICKEL.  
 POST - BRASS, .000100 MIN TIN OVER .000050 MIN NICKEL.
- 4 PERIPHERAL SEAL: ELASTOMER, GRAY.
- 5 KEYING PLUG: NYLON, NATURAL.
- 6 .009 MAXIMUM CONTACT LEAD-IN SEAM GAP PERMISSIBLE ON MATING FACE END.
- 7 OBSOLETE PARTS: OBSOLETE CIS STREAMLINING PER D.RENAUD/D.SINISI



DETAIL V  
 SCALE 20:1

STATUS	L	KEYING PLUG	PERIPHERAL SEAL	CONTACTS			PART NUMBER
				FINISH	QTY	SELECT LOAD IN POSITIONS	
				3	13	1-5, 7-14	1-213825-8
				3	14	ALL	1-213825-7
				3	11	1, 3, 4, 6, 8-14	1-213825-6
				3	13	1-8, 10-14	1-213825-5
				3	13	1-5, 7-14	1-213825-4
PRELIMINARY				2	12	1, 2, 4, 5, 7-14	1-213825-3
				2	13	1-8, 10-14	1-213825-2
OBSOLETE				2	13	1-5, 7-14	1-213825-1
				2	13	1-5, 7-14	1-213825-0
				2	11	1, 3, 4, 6, 8-14	213825-9
OBSOLETE				2	13	1-8, 10-14	213825-5
				2	13	1-5, 7-14	213825-4
OBSOLETE				2	13	1-5, 7-14	213825-3
				2	11	1, 3, 4, 6, 8-14	213825-2
				2	14	ALL	213825-1

THIS DRAWING IS A CONTROLLED DOCUMENT. DWN S. WELDON 23MAY2003  
 CH S. WELDON 23MAY2003  
 S. HEADER 23MAY2003  
 APVD S. HEADER 23MAY2003

DIMENSIONS: INCHES  
 TOLERANCES UNLESS OTHERWISE SPECIFIED:  
 0 PLC ±0  
 1 PLC ±0  
 2 PLC ±0  
 3 PLC ±0.010  
 4 PLC ±0  
 ANGLES ±0

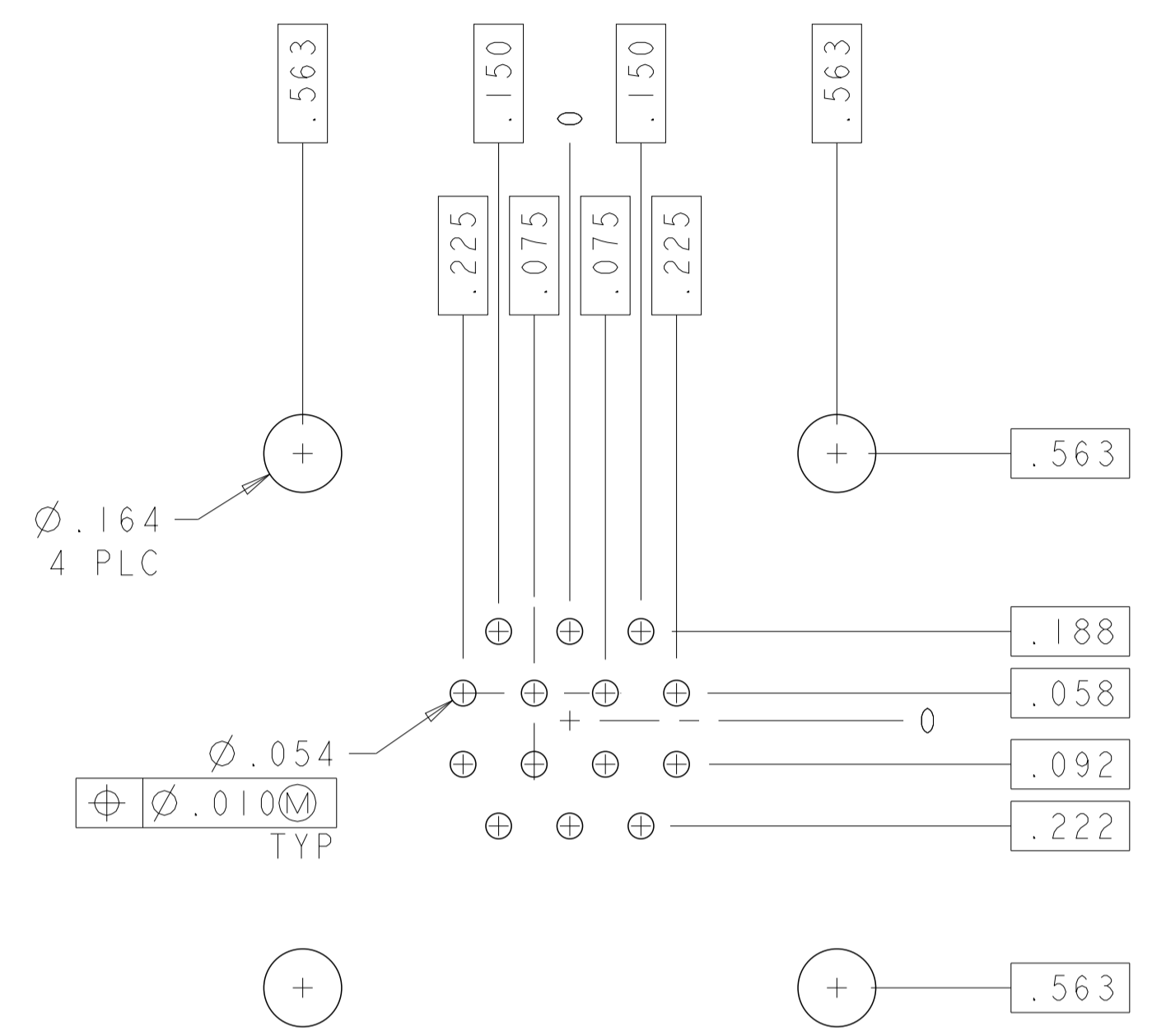
MATERIAL: FINISH:

WEIGHT: CUSTOMER DRAWING

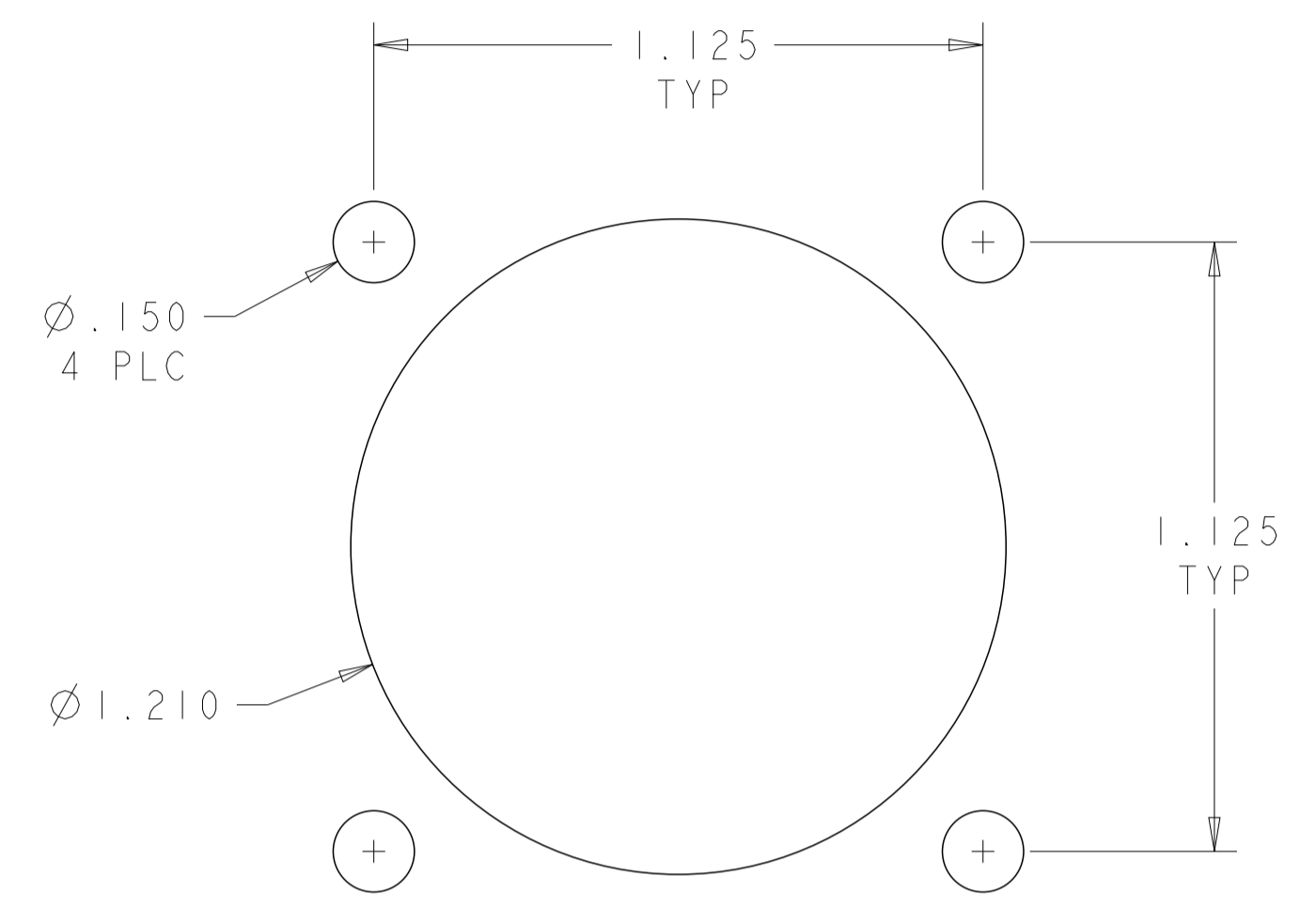
SCALE 4:1 SHEET 1 OF 2 REV R

TE Connectivity  
 RECEPTACLE ASSEMBLY, POSTED, SERIES 1, REVERSE SEX, CPC  
 A100779C=213825

LOC		DIST		REVISIONS			
FT	0	P	LTN	DESCRIPTION	DATE	DMN	APVD
-	-	-	-	SEE SHEET 1	-	-	-



RECOMMENDED PC BOARD LAYOUT  
 SCALE 3:1



RECOMMENDED PANEL LAYOUT  
 .125 MAX PANEL THICKNESS  
 SCALE 3:1

THIS DRAWING IS A CONTROLLED DOCUMENT.		DMN S. WELDON 23MAY2003	TE Connectivity
DIMENSIONS: INCHES		CHK S. HEADER 23MAY2003	
TOLERANCES UNLESS OTHERWISE SPECIFIED: 0 PLC ±0 1 PLC ±0 2 PLC ±0 3 PLC ±0.010 4 PLC ±0 ANGLES ±0		APVD S. HEADER 23MAY2003	NAME RECEPTACLE ASSEMBLY, POSTED, SERIES 1, REVERSE SEX, CPC
MATERIAL		PRODUCT SPEC	SIZE CAGE CODE DRAWING NO
FINISH		APPLICATION SPEC	A100779C=213825
CUSTOMER DRAWING		WEIGHT	RESTRICTED TO
SCALE 4:1		SHEET 2 OF 2	REV R

## X-ON Electronics

Largest Supplier of Electrical and Electronic Components

*Click to view similar products for [Standard Circular Connector](#) category:*

*Click to view products by [TE Connectivity](#) manufacturer:*

Other Similar products are found below :

[C015](#) [10F006](#) [001](#) [1](#) [5M2530B10P](#) [600247N007](#) [600259N006](#) [600273N007](#) [600432N009](#) [6280-2PG-519](#) [6280-3PG-311](#) [6280-3SG-311](#)  
[6280-7SG-3DC](#) [6280-7SG-522](#) [6282-5PG-311](#) [6282-6PG-519](#) [6282-8SG-311](#) [6283-11](#) [6283-15](#) [6290](#) [6293](#) [6382-2PG-311](#) [6382-2PG-3DC](#)  
[6382-2SG-321](#) [6382-2SG-3DC](#) [6382-4SG-516](#) [67-03E20-37P](#) [681-PMG](#) [CXC3106A1811S](#) [CXS3102A14S2P](#) [CXS3102A181S](#)  
[CXS3106A14S6S](#) [D38999/20FC8SA L/C](#) [MB12P-1](#) [MB12R-6](#) [7251-2PG-300](#) [7251-2SG-300](#) [7251-4PG-300](#) [7251-4SG-300](#) [7251-5PG-300](#)  
[7251-5SG-300](#) [7251-6SG-300](#) [7251-7PG-300](#) [7251-8PG-300](#) [7271-6SG-300](#) [7282-3PG-300-CH3](#) [73000005663](#) [75-190011-03P](#) [75-190216-08S](#) [75-190218-10P](#) [75-214636-52P](#) [75-474118-10P](#) [75-474211-03P](#)