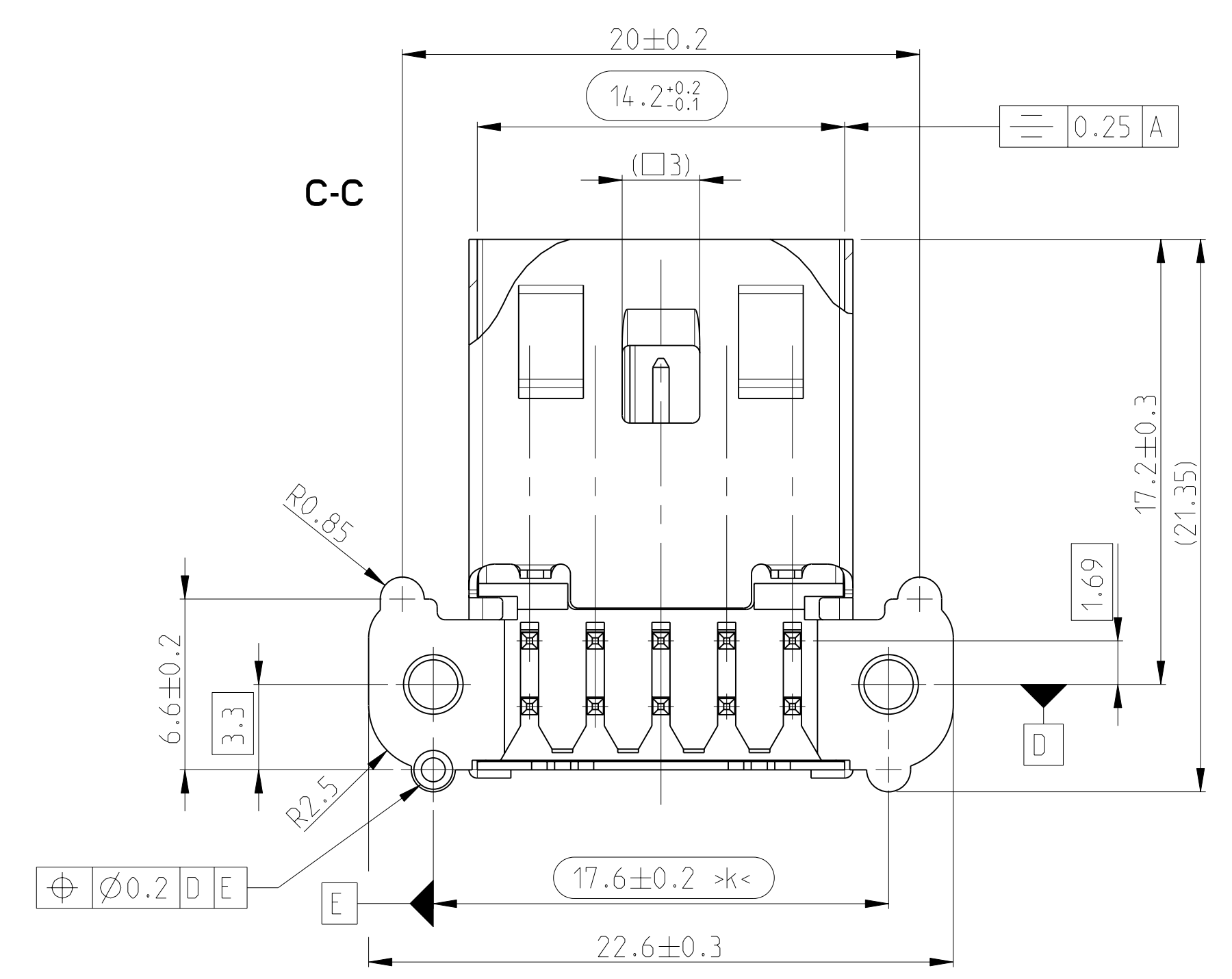
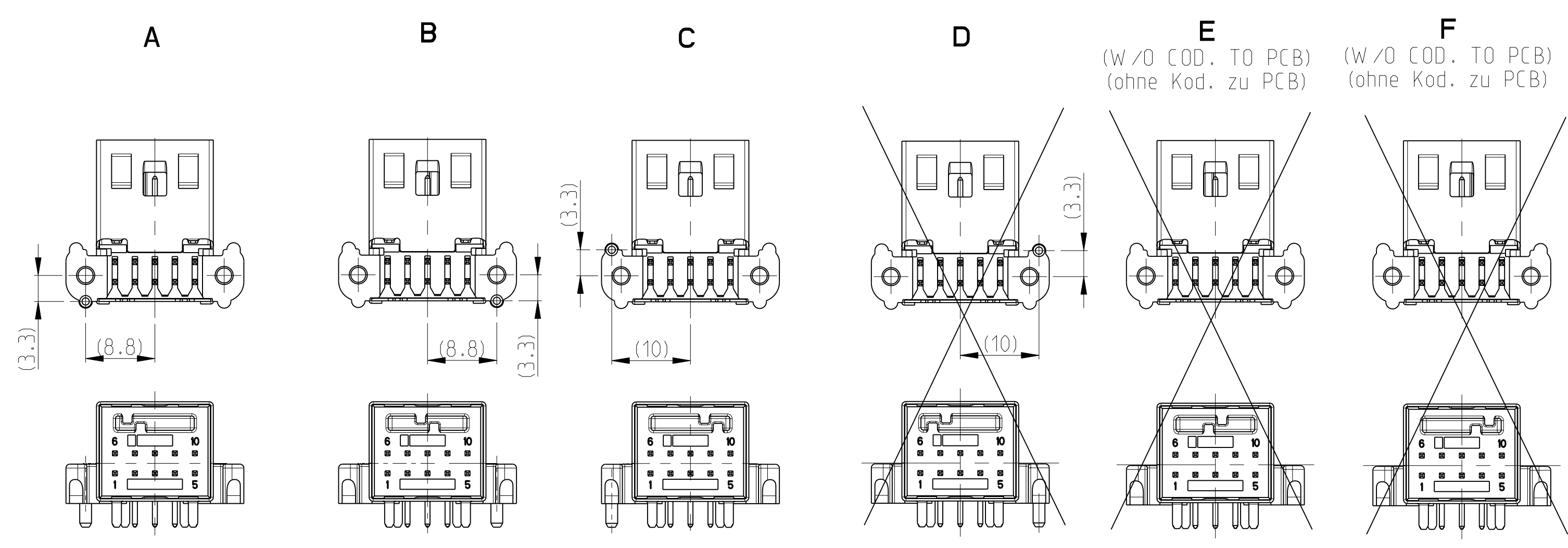
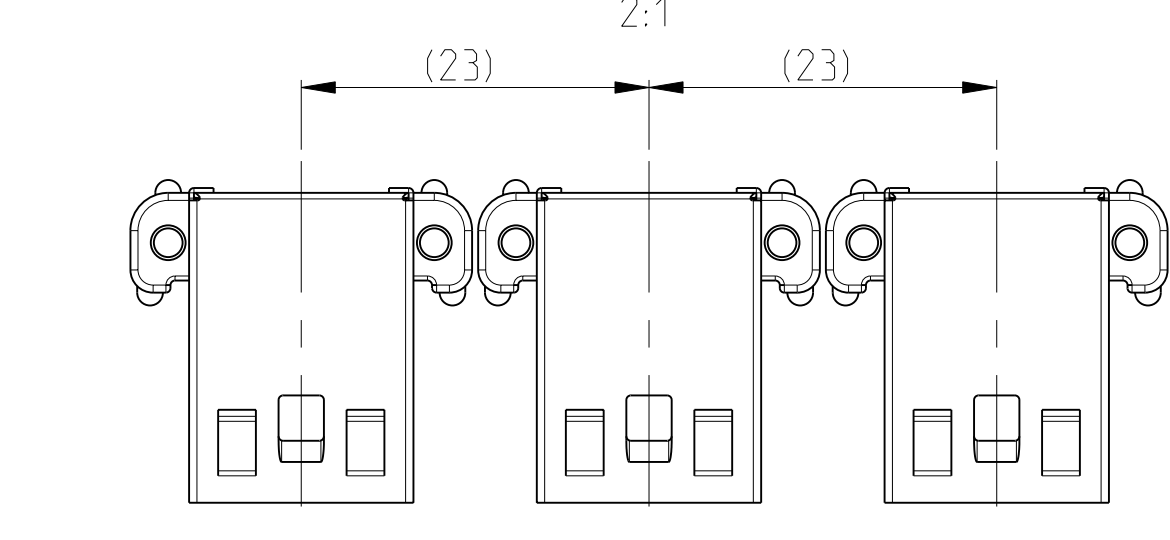


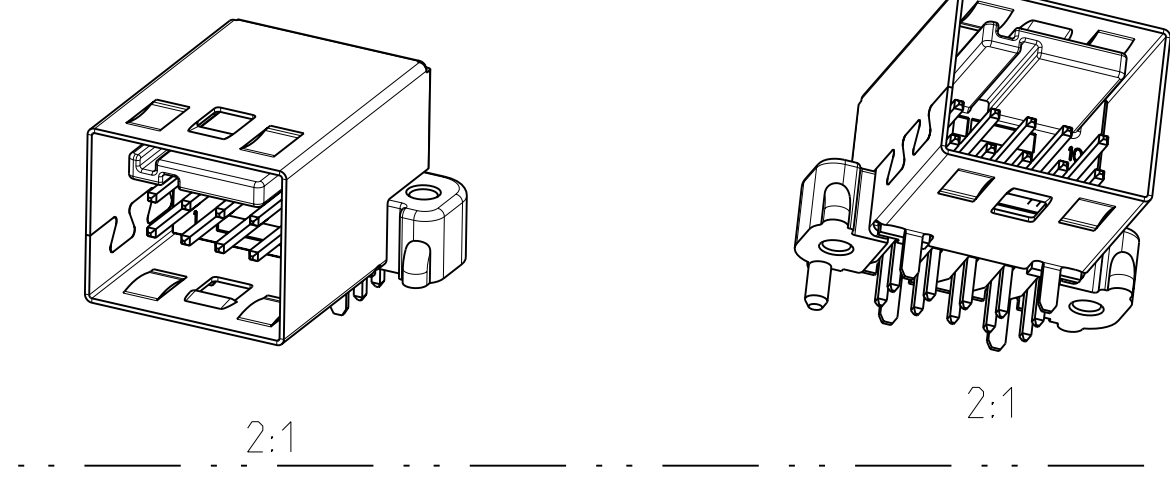
**CODINGS
Kodierungen**
2:1



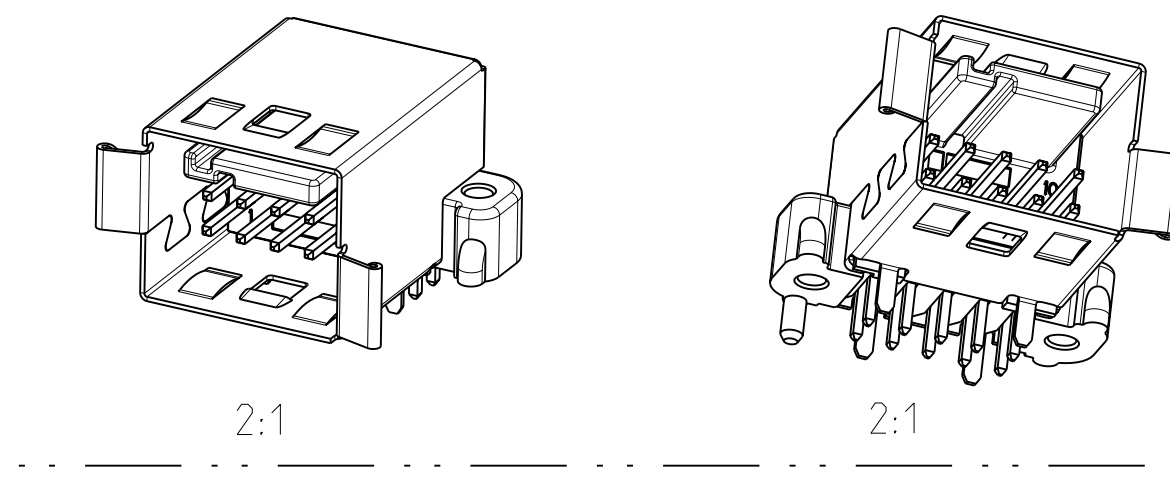
**ASSEMBLY PITCH
Einbau-Raster**
2:1



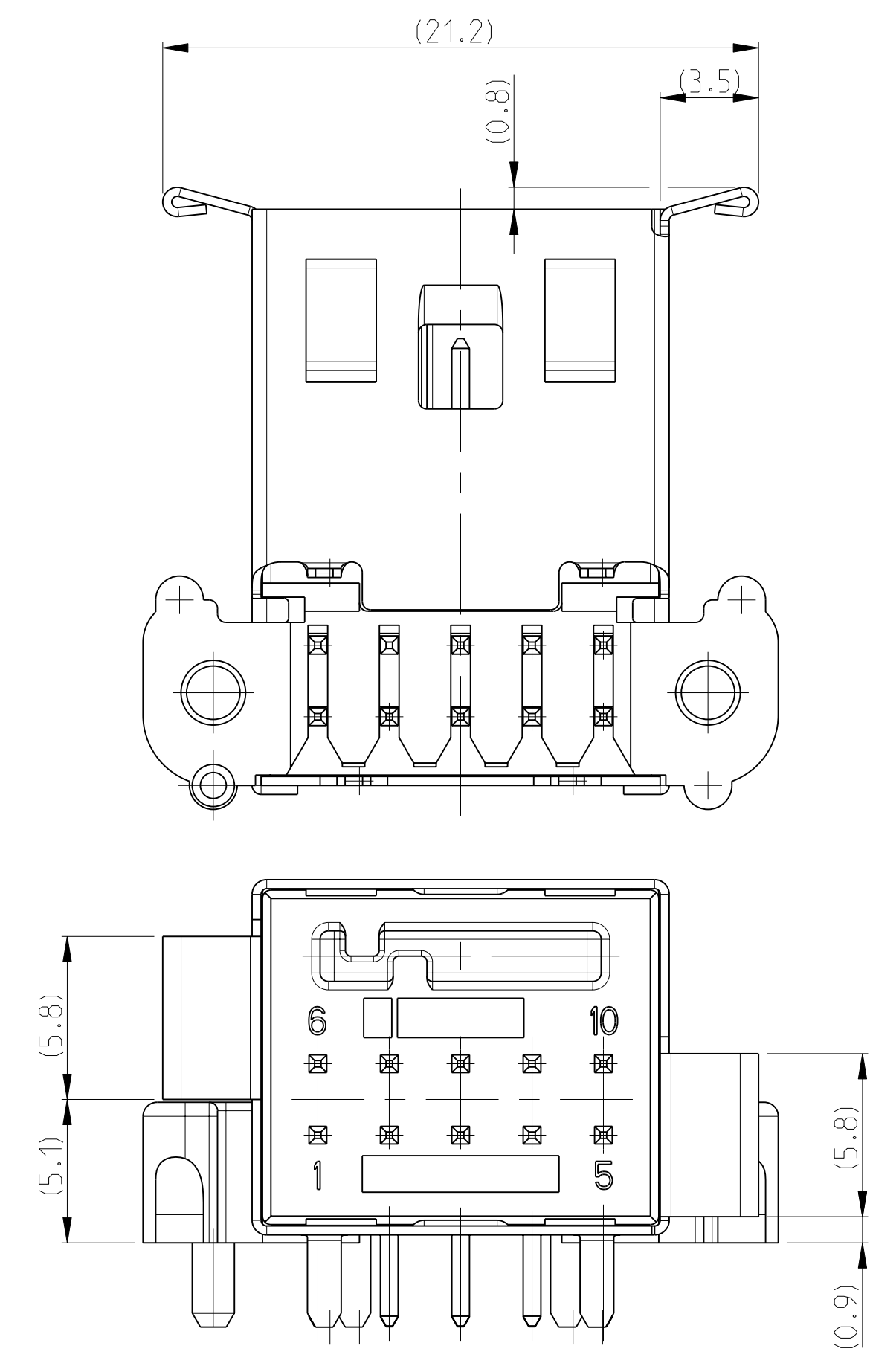
**VERSION 1
Variante 1**



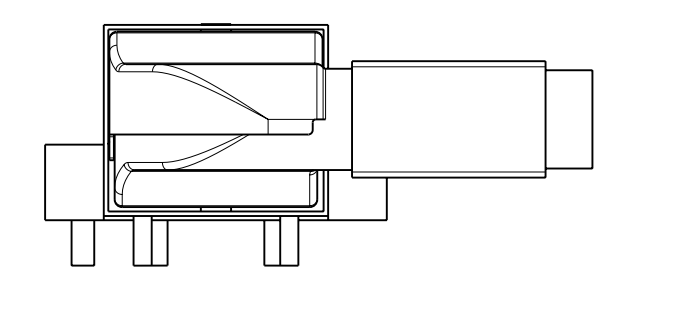
**VERSION 2
Variante 2**



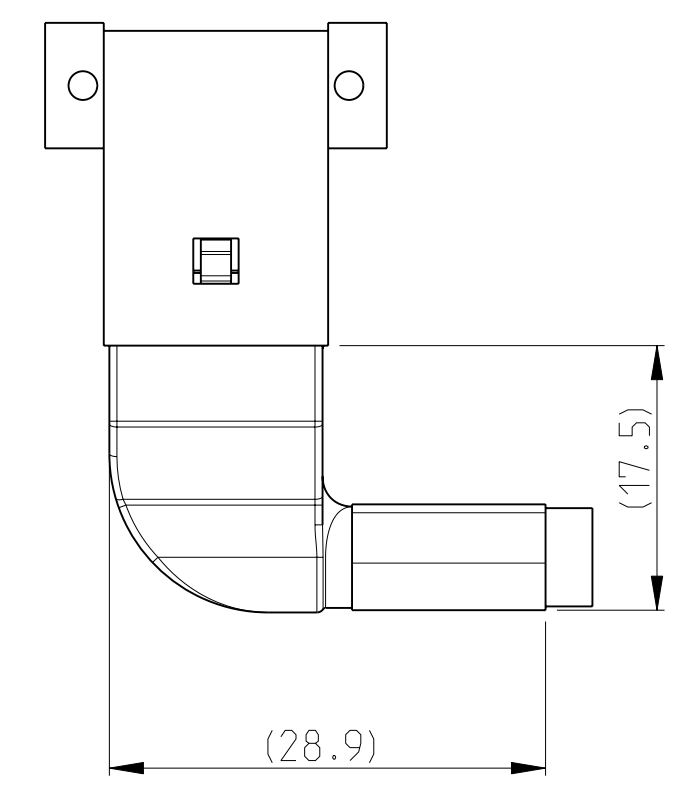
**VERSION 2
Variante 2**



10
**ACCORDING TO
COUPLING 90 DEGR.
ONLY FOR INFORMATION
Passend fuer Kupplung
90 Grad
Nur zur Information**

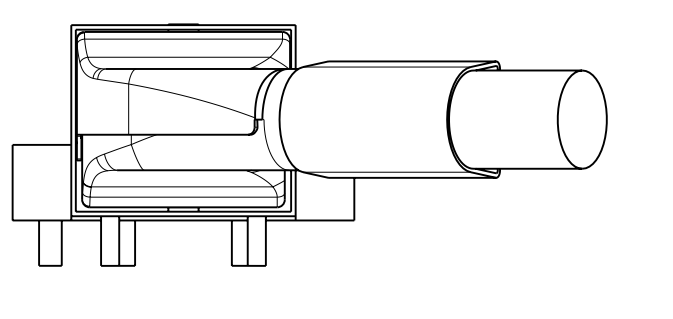


COUPLING 90 DEG.
CODE A-R
Kupplung 90 Grad
Kodierung A-R

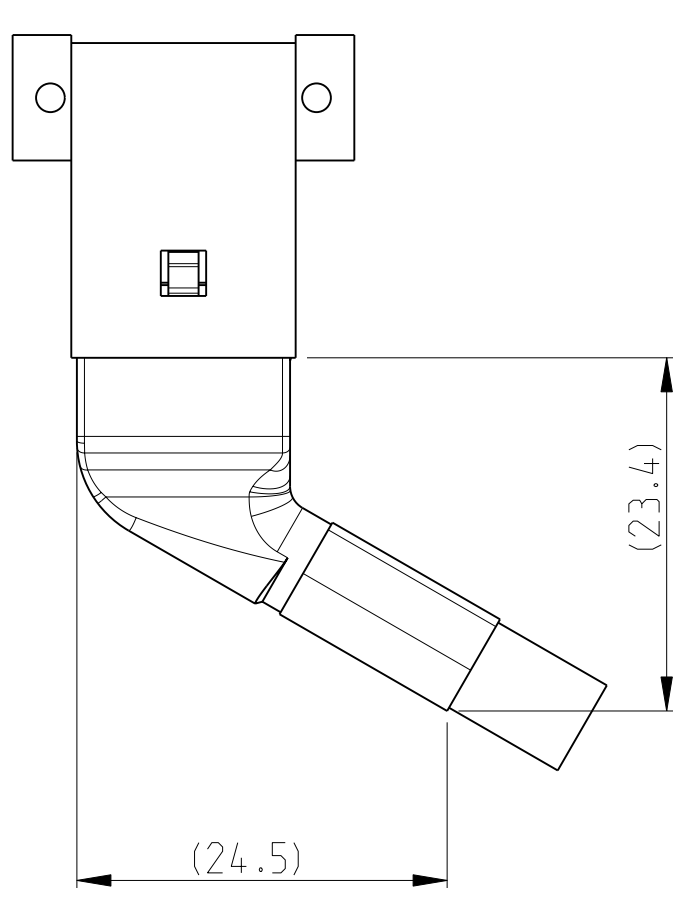


CODE A-L MIRROR IMAGE
Kodierung A-L spiegelbildlich

11
**ACCORDING TO
COUPLING 120 DEGR.
ONLY FOR INFORMATION
Passend fuer Kupplung
120 Grad
Nur zur Information**

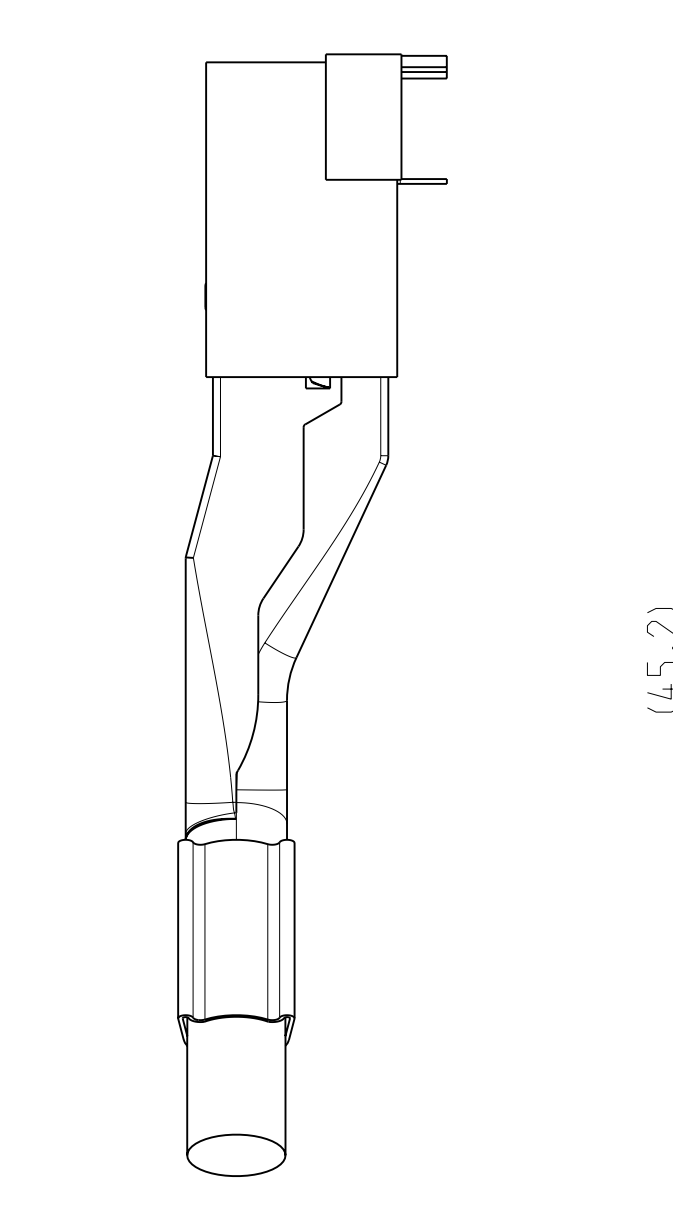


COUPLING 120 DEG.
CODE A-R
Kupplung 120 Grad
Kodierung A-R



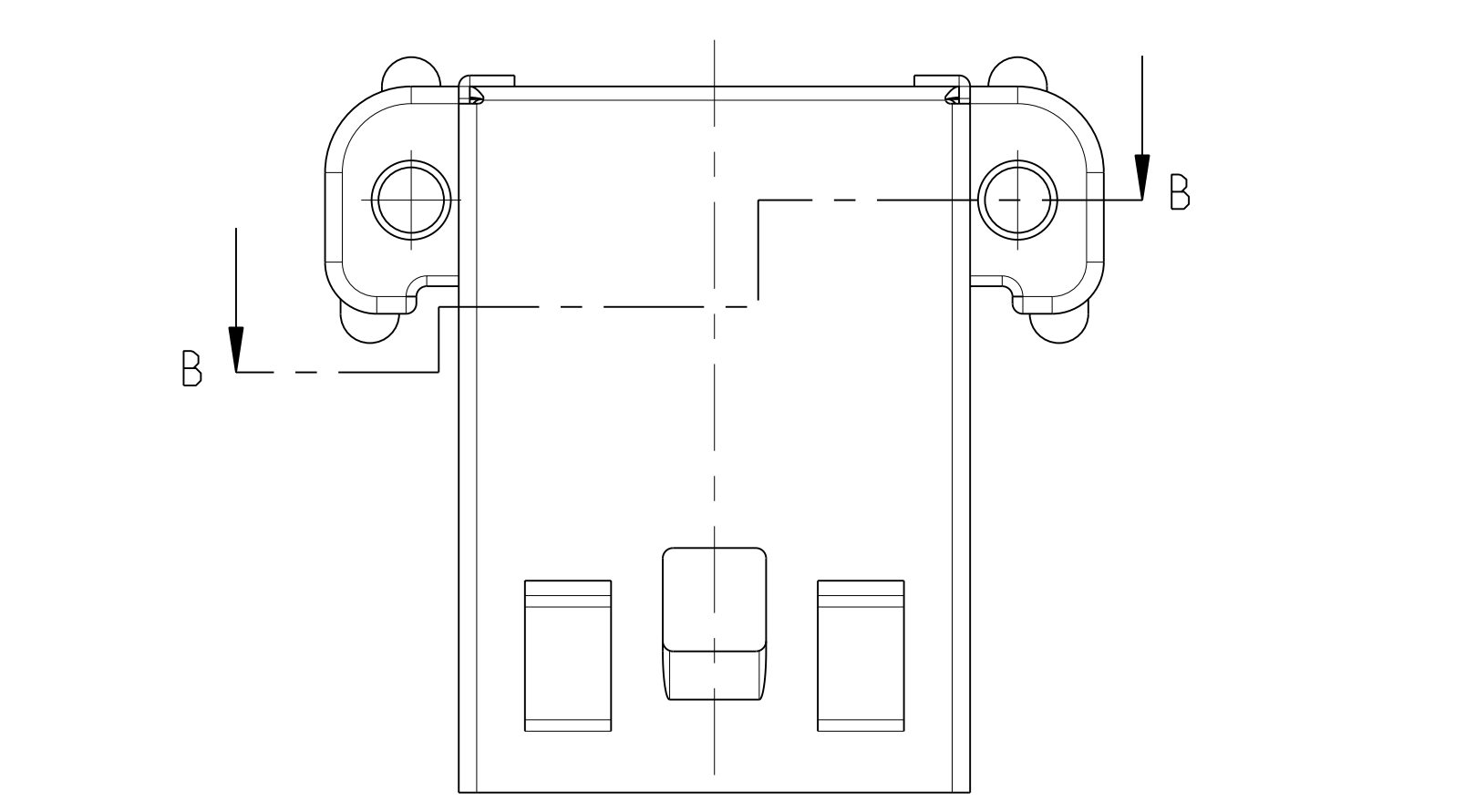
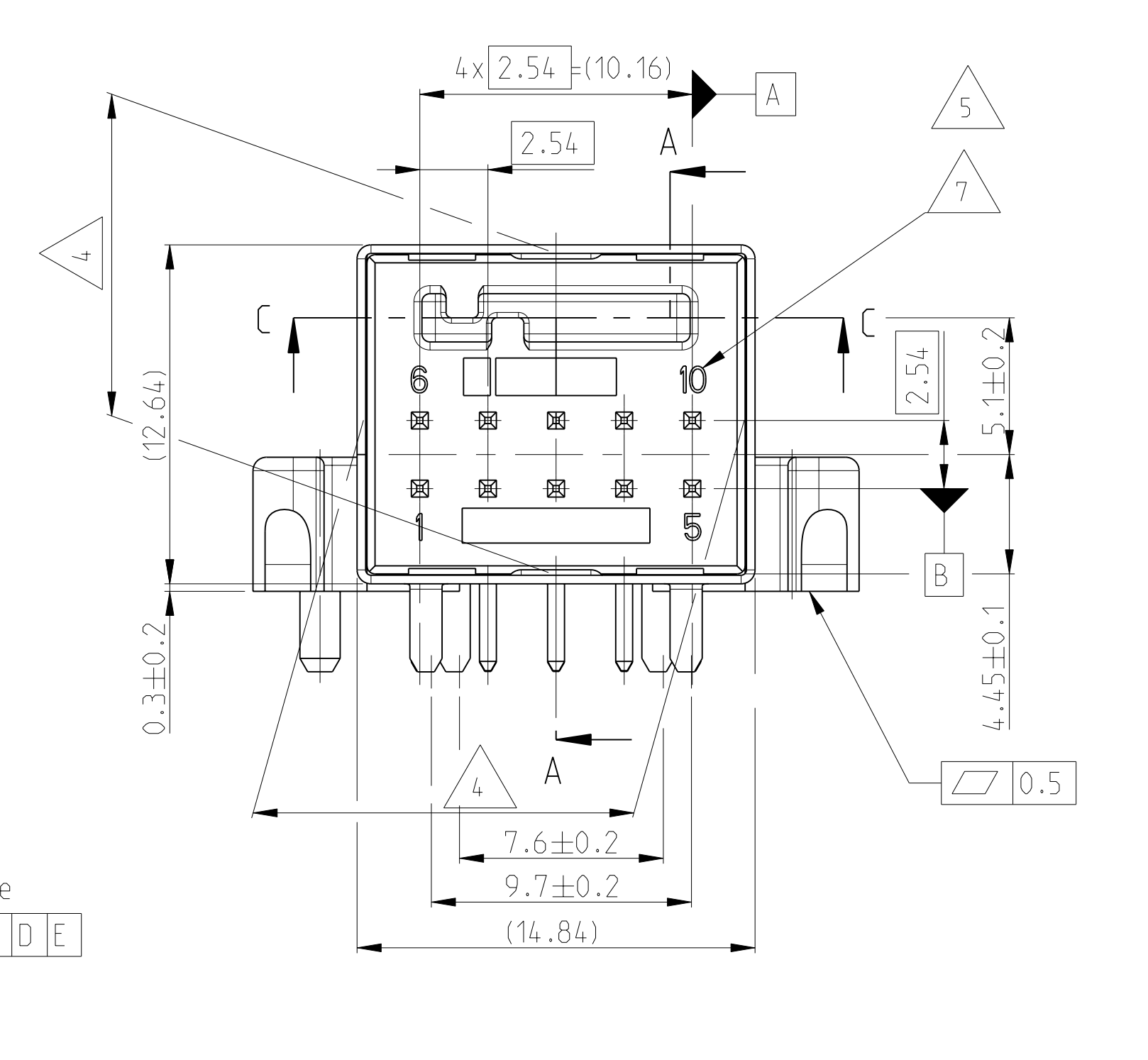
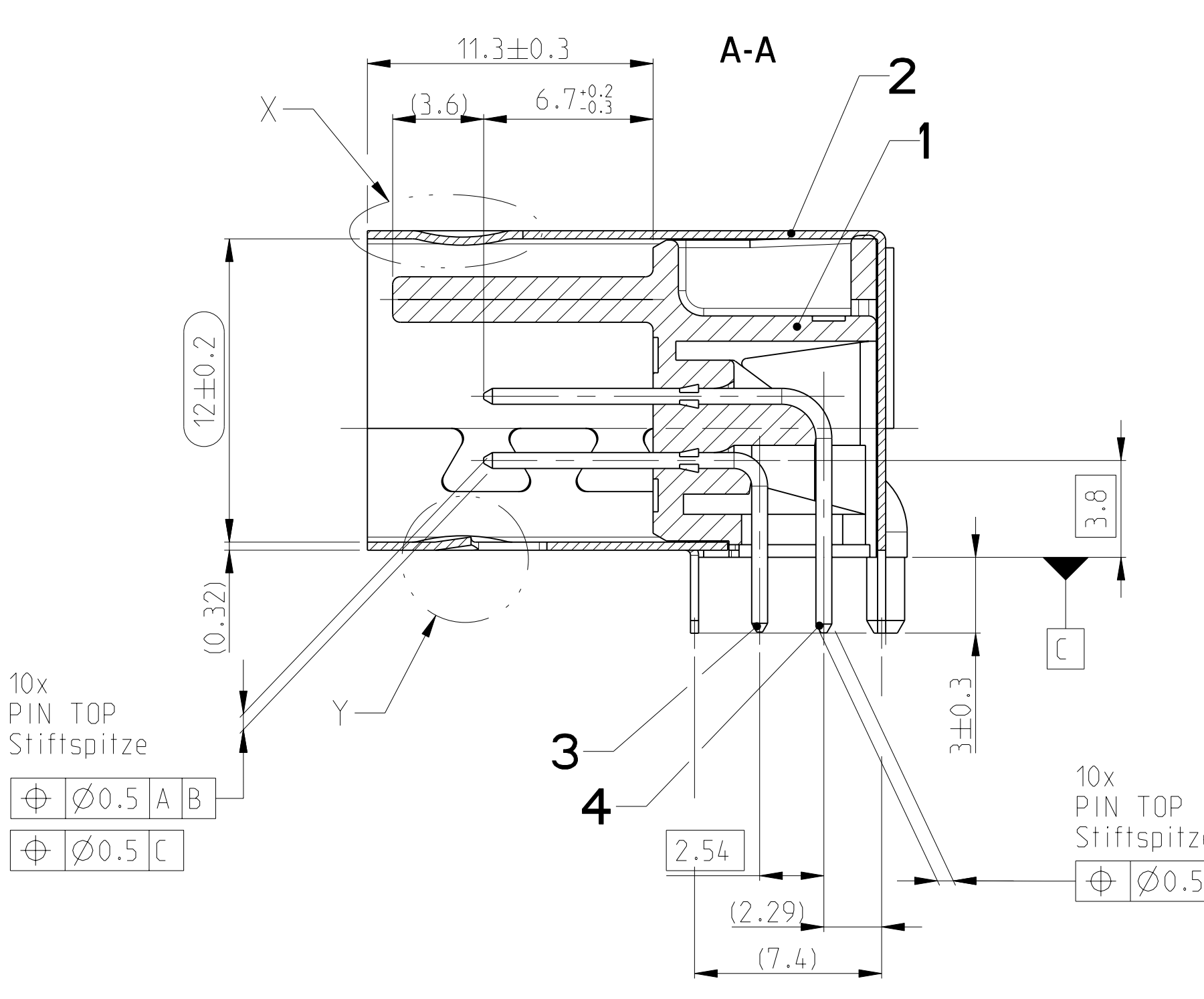
CODE A-L MIRROR IMAGE
Kodierung A-L spiegelbildlich

12
**ACCORDING TO
COUPLING 155DEGR.
ONLY FOR INFORMATION
Passend fuer Kupplung
155 Grad
Nur zur Information**



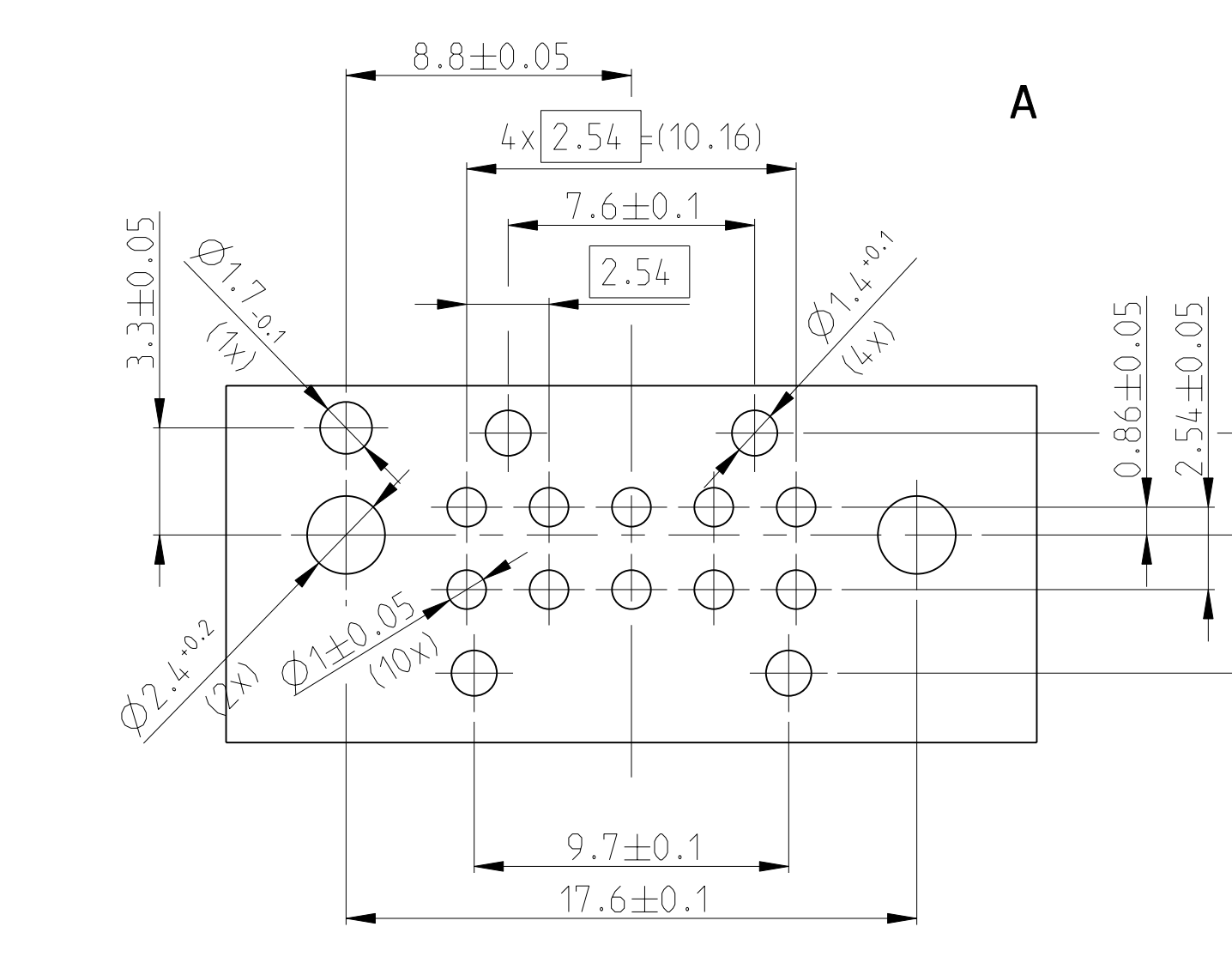
COUPLING 155 DEG.
CODE A-R
Kupplung 155 Grad
Kodierung A-R

CODE A-L MIRROR IMAGE
Kodierung A-L spiegelbildlich

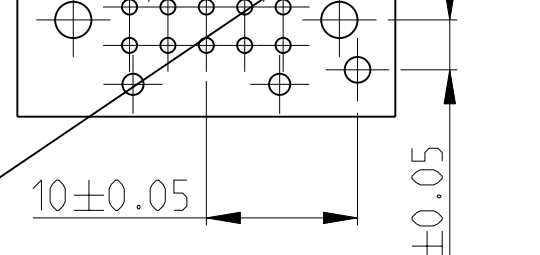
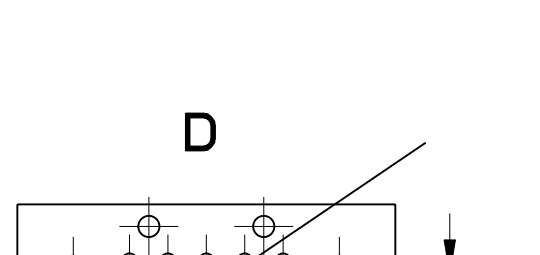
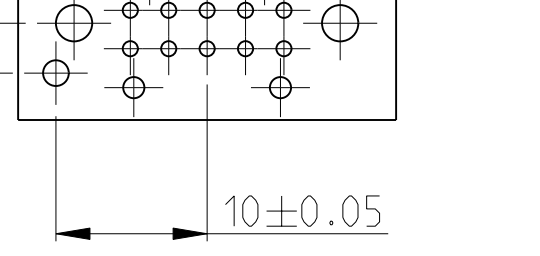
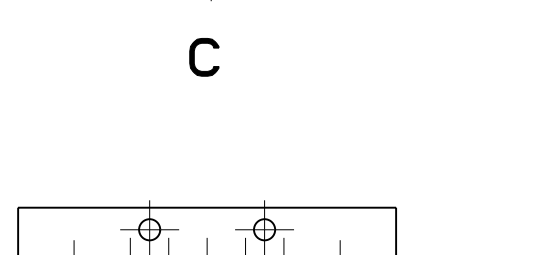
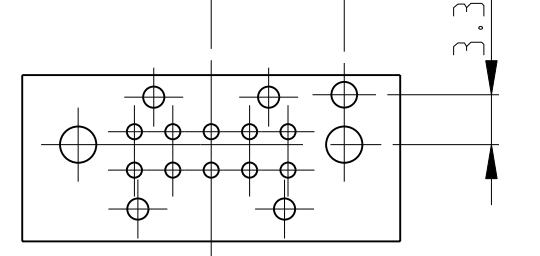


**PCB-LAYOUT
VIEW FROM SURFACE MOUNT, CODE A
LAYOUT ONLY FOR INFORMATION.
MANUFACTURER OF PCB IS RESPONSIBLE FOR DESIGN
OF Ø AND MEASUREMENT TOLERANCES.**

**Leiterplattenlayout
Ansicht von Bestueckungsseite, Kodierung A
Layout nur zur Information.
Fuer die Auslegung der Ø und der Masstoleranzen
ist der Platinenhersteller verantwortlich.**



**CODINGS
Kodierungen**
2:1



NOTE	FEATURE	tyco Electronics AMP - No.
⚠	MATED WITH COUPLING 90° passend zu Kupplung 90°	EGAUT02116-950
⚠	MATED WITH COUPLING 120° passend zu Kupplung 120°	EGAUT02116-910
⚠	MATED WITH COUPLING 155° passend zu Kupplung 155°	EGATN04246-910

CODING 1-3 AS SHOWN
Kodierung 1-3 wie gezeichnet

VERSION 2 WITH EMV SHEET METAL Variante 2 mit EMV-Lamellen	VERSION 2 WITH EMV SHEET METAL Variante 2 ohne EMV-Lamellen	VERSION 1 WITHOUT EMV SHEET METAL Variante 1 ohne EMV-Lamellen																																																																																																																																																																																																																																																																																																																																																																																																																																				
<table border="1"> <tr><td>5</td><td>PIN</td><td>COPPER ALLOY</td><td>Tinned</td><td>4</td></tr> <tr><td>5</td><td>PIN</td><td>COPPER ALLOY</td><td>Tinned</td><td>3</td></tr> <tr><td>1</td><td>SHROUD F. PIN HEADER</td><td>CUSN</td><td>Tinned</td><td>2</td></tr> <tr><td>1</td><td>PINHEADER 10 POS.</td><td>PPA-EP25</td><td>SHROUD F. PIN HEADER, SHIELDING, SH. SER.</td><td>1</td></tr> <tr><td>5</td><td>PIN</td><td>COPPER ALLOY</td><td>Tinned</td><td>4</td></tr> <tr><td>5</td><td>PIN</td><td>COPPER ALLOY</td><td>Tinned</td><td>3</td></tr> <tr><td>1</td><td>SHROUD F. PIN HEADER</td><td>CUSN</td><td>Tinned</td><td>2</td></tr> <tr><td>1</td><td>PINHEADER 10 POS.</td><td>PPA-EP25</td><td>SHROUD F. PIN HEADER, SHIELDING, SH. SER.</td><td>1</td></tr> <tr><td>5</td><td>PIN</td><td>COPPER ALLOY</td><td>Tinned</td><td>4</td></tr> <tr><td>5</td><td>PIN</td><td>COPPER ALLOY</td><td>Tinned</td><td>3</td></tr> <tr><td>1</td><td>SHROUD F. PIN HEADER</td><td>CUSN</td><td>Tinned</td><td>2</td></tr> <tr><td>1</td><td>PINHEADER 10 POS.</td><td>PPA-EP25</td><td>SHROUD F. PIN HEADER, SHIELDING, SH. SER.</td><td>1</td></tr> <tr><td>5</td><td>PIN</td><td>COPPER ALLOY</td><td>Tinned</td><td>4</td></tr> <tr><td>5</td><td>PIN</td><td>COPPER ALLOY</td><td>Tinned</td><td>3</td></tr> <tr><td>1</td><td>SHROUD F. PIN HEADER</td><td>CUSN</td><td>Tinned</td><td>2</td></tr> <tr><td>1</td><td>PINHEADER 10 POS.</td><td>PPA-EP25</td><td>SHROUD F. PIN HEADER, SHIELDING, SH. SER.</td><td>1</td></tr> <tr><td>5</td><td>PIN</td><td>COPPER ALLOY</td><td>Tinned</td><td>4</td></tr> <tr><td>5</td><td>PIN</td><td>COPPER ALLOY</td><td>Tinned</td><td>3</td></tr> <tr><td>1</td><td>SHROUD F. PIN HEADER</td><td>CUSN</td><td>Tinned</td><td>2</td></tr> <tr><td>1</td><td>PINHEADER 10 POS.</td><td>PPA-EP25</td><td>SHROUD F. PIN HEADER, SHIELDING, SH. SER.</td><td>1</td></tr> <tr><td>5</td><td>PIN</td><td>COPPER ALLOY</td><td>Tinned</td><td>4</td></tr> <tr><td>5</td><td>PIN</td><td>COPPER ALLOY</td><td>Tinned</td><td>3</td></tr> <tr><td>1</td><td>SHROUD F. PIN HEADER</td><td>CUSN</td><td>Tinned</td><td>2</td></tr> <tr><td>1</td><td>PINHEADER 10 POS.</td><td>PPA-EP25</td><td>SHROUD F. PIN HEADER, SHIELDING, SH. SER.</td><td>1</td></tr> <tr><td>5</td><td>PIN</td><td>COPPER ALLOY</td><td>Tinned</td><td>4</td></tr> <tr><td>5</td><td>PIN</td><td>COPPER ALLOY</td><td>Tinned</td><td>3</td></tr> <tr><td>1</td><td>SHROUD F. PIN HEADER</td><td>CUSN</td><td>Tinned</td><td>2</td></tr> <tr><td>1</td><td>PINHEADER 10 POS.</td><td>PPA-EP25</td><td>SHROUD F. PIN HEADER, SHIELDING, SH. SER.</td><td>1</td></tr> <tr><td>5</td><td>PIN</td><td>COPPER ALLOY</td><td>Tinned</td><td>4</td></tr> <tr><td>5</td><td>PIN</td><td>COPPER ALLOY</td><td>Tinned</td><td>3</td></tr> <tr><td>1</td><td>SHROUD F. PIN HEADER</td><td>CUSN</td><td>Tinned</td><td>2</td></tr> <tr><td>1</td><td>PINHEADER 10 POS.</td><td>PPA-EP25</td><td>SHROUD F. PIN HEADER, SHIELDING, SH. SER.</td><td>1</td></tr> </table>	5	PIN	COPPER ALLOY	Tinned	4	5	PIN	COPPER ALLOY	Tinned	3	1	SHROUD F. PIN HEADER	CUSN	Tinned	2	1	PINHEADER 10 POS.	PPA-EP25	SHROUD F. PIN HEADER, SHIELDING, SH. SER.	1	5	PIN	COPPER ALLOY	Tinned	4	5	PIN	COPPER ALLOY	Tinned	3	1	SHROUD F. PIN HEADER	CUSN	Tinned	2	1	PINHEADER 10 POS.	PPA-EP25	SHROUD F. PIN HEADER, SHIELDING, SH. SER.	1	5	PIN	COPPER ALLOY	Tinned	4	5	PIN	COPPER ALLOY	Tinned	3	1	SHROUD F. PIN HEADER	CUSN	Tinned	2	1	PINHEADER 10 POS.	PPA-EP25	SHROUD F. PIN HEADER, SHIELDING, SH. SER.	1	5	PIN	COPPER ALLOY	Tinned	4	5	PIN	COPPER ALLOY	Tinned	3	1	SHROUD F. PIN HEADER	CUSN	Tinned	2	1	PINHEADER 10 POS.	PPA-EP25	SHROUD F. PIN HEADER, SHIELDING, SH. SER.	1	5	PIN	COPPER ALLOY	Tinned	4	5	PIN	COPPER ALLOY	Tinned	3	1	SHROUD F. PIN HEADER	CUSN	Tinned	2	1	PINHEADER 10 POS.	PPA-EP25	SHROUD F. PIN HEADER, SHIELDING, SH. SER.	1	5	PIN	COPPER ALLOY	Tinned	4	5	PIN	COPPER ALLOY	Tinned	3	1	SHROUD F. PIN HEADER	CUSN	Tinned	2	1	PINHEADER 10 POS.	PPA-EP25	SHROUD F. PIN HEADER, SHIELDING, SH. SER.	1	5	PIN	COPPER ALLOY	Tinned	4	5	PIN	COPPER ALLOY	Tinned	3	1	SHROUD F. PIN HEADER	CUSN	Tinned	2	1	PINHEADER 10 POS.	PPA-EP25	SHROUD F. PIN HEADER, SHIELDING, SH. SER.	1	5	PIN	COPPER ALLOY	Tinned	4	5	PIN	COPPER ALLOY	Tinned	3	1	SHROUD F. PIN HEADER	CUSN	Tinned	2	1	PINHEADER 10 POS.	PPA-EP25	SHROUD F. PIN HEADER, SHIELDING, SH. SER.	1	<table border="1"> <tr><td>5</td><td>PIN</td><td>COPPER ALLOY</td><td>Tinned</td><td>4</td></tr> <tr><td>5</td><td>PIN</td><td>COPPER ALLOY</td><td>Tinned</td><td>3</td></tr> <tr><td>1</td><td>SHROUD F. PIN HEADER</td><td>CUSN</td><td>Tinned</td><td>2</td></tr> <tr><td>1</td><td>PINHEADER 10 POS.</td><td>PPA-EP25</td><td>SHROUD F. PIN HEADER, SHIELDING, SH. SER.</td><td>1</td></tr> <tr><td>5</td><td>PIN</td><td>COPPER ALLOY</td><td>Tinned</td><td>4</td></tr> <tr><td>5</td><td>PIN</td><td>COPPER ALLOY</td><td>Tinned</td><td>3</td></tr> <tr><td>1</td><td>SHROUD F. PIN HEADER</td><td>CUSN</td><td>Tinned</td><td>2</td></tr> <tr><td>1</td><td>PINHEADER 10 POS.</td><td>PPA-EP25</td><td>SHROUD F. PIN HEADER, SHIELDING, SH. SER.</td><td>1</td></tr> <tr><td>5</td><td>PIN</td><td>COPPER ALLOY</td><td>Tinned</td><td>4</td></tr> <tr><td>5</td><td>PIN</td><td>COPPER ALLOY</td><td>Tinned</td><td>3</td></tr> <tr><td>1</td><td>SHROUD F. PIN HEADER</td><td>CUSN</td><td>Tinned</td><td>2</td></tr> <tr><td>1</td><td>PINHEADER 10 POS.</td><td>PPA-EP25</td><td>SHROUD F. PIN HEADER, SHIELDING, SH. SER.</td><td>1</td></tr> <tr><td>5</td><td>PIN</td><td>COPPER ALLOY</td><td>Tinned</td><td>4</td></tr> <tr><td>5</td><td>PIN</td><td>COPPER ALLOY</td><td>Tinned</td><td>3</td></tr> <tr><td>1</td><td>SHROUD F. PIN HEADER</td><td>CUSN</td><td>Tinned</td><td>2</td></tr> <tr><td>1</td><td>PINHEADER 10 POS.</td><td>PPA-EP25</td><td>SHROUD F. PIN HEADER, SHIELDING, SH. SER.</td><td>1</td></tr> <tr><td>5</td><td>PIN</td><td>COPPER ALLOY</td><td>Tinned</td><td>4</td></tr> <tr><td>5</td><td>PIN</td><td>COPPER ALLOY</td><td>Tinned</td><td>3</td></tr> <tr><td>1</td><td>SHROUD F. PIN HEADER</td><td>CUSN</td><td>Tinned</td><td>2</td></tr> <tr><td>1</td><td>PINHEADER 10 POS.</td><td>PPA-EP25</td><td>SHROUD F. PIN HEADER, SHIELDING, SH. SER.</td><td>1</td></tr> <tr><td>5</td><td>PIN</td><td>COPPER ALLOY</td><td>Tinned</td><td>4</td></tr> <tr><td>5</td><td>PIN</td><td>COPPER ALLOY</td><td>Tinned</td><td>3</td></tr> <tr><td>1</td><td>SHROUD F. PIN HEADER</td><td>CUSN</td><td>Tinned</td><td>2</td></tr> <tr><td>1</td><td>PINHEADER 10 POS.</td><td>PPA-EP25</td><td>SHROUD F. PIN HEADER, SHIELDING, SH. SER.</td><td>1</td></tr> <tr><td>5</td><td>PIN</td><td>COPPER ALLOY</td><td>Tinned</td><td>4</td></tr> <tr><td>5</td><td>PIN</td><td>COPPER ALLOY</td><td>Tinned</td><td>3</td></tr> <tr><td>1</td><td>SHROUD F. PIN HEADER</td><td>CUSN</td><td>Tinned</td><td>2</td></tr> <tr><td>1</td><td>PINHEADER 10 POS.</td><td>PPA-EP25</td><td>SHROUD F. PIN HEADER, SHIELDING, SH. SER.</td><td>1</td></tr> </table>	5	PIN	COPPER ALLOY	Tinned	4	5	PIN	COPPER ALLOY	Tinned	3	1	SHROUD F. PIN HEADER	CUSN	Tinned	2	1	PINHEADER 10 POS.	PPA-EP25	SHROUD F. PIN HEADER, SHIELDING, SH. SER.	1	5	PIN	COPPER ALLOY	Tinned	4	5	PIN	COPPER ALLOY	Tinned	3	1	SHROUD F. PIN HEADER	CUSN	Tinned	2	1	PINHEADER 10 POS.	PPA-EP25	SHROUD F. PIN HEADER, SHIELDING, SH. SER.	1	5	PIN	COPPER ALLOY	Tinned	4	5	PIN	COPPER ALLOY	Tinned	3	1	SHROUD F. PIN HEADER	CUSN	Tinned	2	1	PINHEADER 10 POS.	PPA-EP25	SHROUD F. PIN HEADER, SHIELDING, SH. SER.	1	5	PIN	COPPER ALLOY	Tinned	4	5	PIN	COPPER ALLOY	Tinned	3	1	SHROUD F. PIN HEADER	CUSN	Tinned	2	1	PINHEADER 10 POS.	PPA-EP25	SHROUD F. PIN HEADER, SHIELDING, SH. SER.	1	5	PIN	COPPER ALLOY	Tinned	4	5	PIN	COPPER ALLOY	Tinned	3	1	SHROUD F. PIN HEADER	CUSN	Tinned	2	1	PINHEADER 10 POS.	PPA-EP25	SHROUD F. PIN HEADER, SHIELDING, SH. SER.	1	5	PIN	COPPER ALLOY	Tinned	4	5	PIN	COPPER ALLOY	Tinned	3	1	SHROUD F. PIN HEADER	CUSN	Tinned	2	1	PINHEADER 10 POS.	PPA-EP25	SHROUD F. PIN HEADER, SHIELDING, SH. SER.	1	5	PIN	COPPER ALLOY	Tinned	4	5	PIN	COPPER ALLOY	Tinned	3	1	SHROUD F. PIN HEADER	CUSN	Tinned	2	1	PINHEADER 10 POS.	PPA-EP25	SHROUD F. PIN HEADER, SHIELDING, SH. SER.	1	<table border="1"> <tr><td>5</td><td>PIN</td><td>COPPER ALLOY</td><td>Tinned</td><td>4</td></tr> <tr><td>5</td><td>PIN</td><td>COPPER ALLOY</td><td>Tinned</td><td>3</td></tr> <tr><td>1</td><td>SHROUD F. PIN HEADER</td><td>CUSN</td><td>Tinned</td><td>2</td></tr> <tr><td>1</td><td>PINHEADER 10 POS.</td><td>PPA-EP25</td><td>SHROUD F. PIN HEADER, SHIELDING, SH. SER.</td><td>1</td></tr> <tr><td>5</td><td>PIN</td><td>COPPER ALLOY</td><td>Tinned</td><td>4</td></tr> <tr><td>5</td><td>PIN</td><td>COPPER ALLOY</td><td>Tinned</td><td>3</td></tr> <tr><td>1</td><td>SHROUD F. PIN HEADER</td><td>CUSN</td><td>Tinned</td><td>2</td></tr> <tr><td>1</td><td>PINHEADER 10 POS.</td><td>PPA-EP25</td><td>SHROUD F. PIN HEADER, SHIELDING, SH. SER.</td><td>1</td></tr> <tr><td>5</td><td>PIN</td><td>COPPER ALLOY</td><td>Tinned</td><td>4</td></tr> <tr><td>5</td><td>PIN</td><td>COPPER ALLOY</td><td>Tinned</td><td>3</td></tr> <tr><td>1</td><td>SHROUD F. PIN HEADER</td><td>CUSN</td><td>Tinned</td><td>2</td></tr> <tr><td>1</td><td>PINHEADER 10 POS.</td><td>PPA-EP25</td><td>SHROUD F. PIN HEADER, SHIELDING, SH. SER.</td><td>1</td></tr> <tr><td>5</td><td>PIN</td><td>COPPER ALLOY</td><td>Tinned</td><td>4</td></tr> <tr><td>5</td><td>PIN</td><td>COPPER ALLOY</td><td>Tinned</td><td>3</td></tr> <tr><td>1</td><td>SHROUD F. PIN HEADER</td><td>CUSN</td><td>Tinned</td><td>2</td></tr> <tr><td>1</td><td>PINHEADER 10 POS.</td><td>PPA-EP25</td><td>SHROUD F. PIN HEADER, SHIELDING, SH. SER.</td><td>1</td></tr> <tr><td>5</td><td>PIN</td><td>COPPER ALLOY</td><td>Tinned</td><td>4</td></tr> <tr><td>5</td><td>PIN</td><td>COPPER ALLOY</td><td>Tinned</td><td>3</td></tr> <tr><td>1</td><td>SHROUD F. PIN HEADER</td><td>CUSN</td><td>Tinned</td><td>2</td></tr> <tr><td>1</td><td>PINHEADER 10 POS.</td><td>PPA-EP25</td><td>SHROUD F. PIN HEADER, SHIELDING, SH. SER.</td><td>1</td></tr> <tr><td>5</td><td>PIN</td><td>COPPER ALLOY</td><td>Tinned</td><td>4</td></tr> <tr><td>5</td><td>PIN</td><td>COPPER ALLOY</td><td>Tinned</td><td>3</td></tr> <tr><td>1</td><td>SHROUD F. PIN HEADER</td><td>CUSN</td><td>Tinned</td><td>2</td></tr> <tr><td>1</td><td>PINHEADER 10 POS.</td><td>PPA-EP25</td><td>SHROUD F. PIN HEADER, SHIELDING, SH. SER.</td><td>1</td></tr> </table>	5	PIN	COPPER ALLOY	Tinned	4	5	PIN	COPPER ALLOY	Tinned	3	1	SHROUD F. PIN HEADER	CUSN	Tinned	2	1	PINHEADER 10 POS.	PPA-EP25	SHROUD F. PIN HEADER, SHIELDING, SH. SER.	1	5	PIN	COPPER ALLOY	Tinned	4	5	PIN	COPPER ALLOY	Tinned	3	1	SHROUD F. PIN HEADER	CUSN	Tinned	2	1	PINHEADER 10 POS.	PPA-EP25	SHROUD F. PIN HEADER, SHIELDING, SH. SER.	1	5	PIN	COPPER ALLOY	Tinned	4	5	PIN	COPPER ALLOY	Tinned	3	1	SHROUD F. PIN HEADER	CUSN	Tinned	2	1	PINHEADER 10 POS.	PPA-EP25	SHROUD F. PIN HEADER, SHIELDING, SH. SER.	1	5	PIN	COPPER ALLOY	Tinned	4	5	PIN	COPPER ALLOY	Tinned	3	1	SHROUD F. PIN HEADER	CUSN	Tinned	2	1	PINHEADER 10 POS.	PPA-EP25	SHROUD F. PIN HEADER, SHIELDING, SH. SER.	1	5	PIN	COPPER ALLOY	Tinned	4	5	PIN	COPPER ALLOY	Tinned	3	1	SHROUD F. PIN HEADER	CUSN	Tinned	2	1	PINHEADER 10 POS.	PPA-EP25	SHROUD F. PIN HEADER, SHIELDING, SH. SER.	1	5	PIN	COPPER ALLOY	Tinned	4	5	PIN	COPPER ALLOY	Tinned	3	1	SHROUD F. PIN HEADER	CUSN	Tinned	2	1	PINHEADER 10 POS.	PPA-EP25	SHROUD F. PIN HEADER, SHIELDING, SH. SER.	1
5	PIN	COPPER ALLOY	Tinned	4																																																																																																																																																																																																																																																																																																																																																																																																																																		
5	PIN	COPPER ALLOY	Tinned	3																																																																																																																																																																																																																																																																																																																																																																																																																																		
1	SHROUD F. PIN HEADER	CUSN	Tinned	2																																																																																																																																																																																																																																																																																																																																																																																																																																		
1	PINHEADER 10 POS.	PPA-EP25	SHROUD F. PIN HEADER, SHIELDING, SH. SER.	1																																																																																																																																																																																																																																																																																																																																																																																																																																		
5	PIN	COPPER ALLOY	Tinned	4																																																																																																																																																																																																																																																																																																																																																																																																																																		
5	PIN	COPPER ALLOY	Tinned	3																																																																																																																																																																																																																																																																																																																																																																																																																																		
1	SHROUD F. PIN HEADER	CUSN	Tinned	2																																																																																																																																																																																																																																																																																																																																																																																																																																		
1	PINHEADER 10 POS.	PPA-EP25	SHROUD F. PIN HEADER, SHIELDING, SH. SER.	1																																																																																																																																																																																																																																																																																																																																																																																																																																		
5	PIN	COPPER ALLOY	Tinned	4																																																																																																																																																																																																																																																																																																																																																																																																																																		
5	PIN	COPPER ALLOY	Tinned	3																																																																																																																																																																																																																																																																																																																																																																																																																																		
1	SHROUD F. PIN HEADER	CUSN	Tinned	2																																																																																																																																																																																																																																																																																																																																																																																																																																		
1	PINHEADER 10 POS.	PPA-EP25	SHROUD F. PIN HEADER, SHIELDING, SH. SER.	1																																																																																																																																																																																																																																																																																																																																																																																																																																		
5	PIN	COPPER ALLOY	Tinned	4																																																																																																																																																																																																																																																																																																																																																																																																																																		
5	PIN	COPPER ALLOY	Tinned	3																																																																																																																																																																																																																																																																																																																																																																																																																																		
1	SHROUD F. PIN HEADER	CUSN	Tinned	2																																																																																																																																																																																																																																																																																																																																																																																																																																		
1	PINHEADER 10 POS.	PPA-EP25	SHROUD F. PIN HEADER, SHIELDING, SH. SER.	1																																																																																																																																																																																																																																																																																																																																																																																																																																		
5	PIN	COPPER ALLOY	Tinned	4																																																																																																																																																																																																																																																																																																																																																																																																																																		
5	PIN	COPPER ALLOY	Tinned	3																																																																																																																																																																																																																																																																																																																																																																																																																																		
1	SHROUD F. PIN HEADER	CUSN	Tinned	2																																																																																																																																																																																																																																																																																																																																																																																																																																		
1	PINHEADER 10 POS.	PPA-EP25	SHROUD F. PIN HEADER, SHIELDING, SH. SER.	1																																																																																																																																																																																																																																																																																																																																																																																																																																		
5	PIN	COPPER ALLOY	Tinned	4																																																																																																																																																																																																																																																																																																																																																																																																																																		
5	PIN	COPPER ALLOY	Tinned	3																																																																																																																																																																																																																																																																																																																																																																																																																																		
1	SHROUD F. PIN HEADER	CUSN	Tinned	2																																																																																																																																																																																																																																																																																																																																																																																																																																		
1	PINHEADER 10 POS.	PPA-EP25	SHROUD F. PIN HEADER, SHIELDING, SH. SER.	1																																																																																																																																																																																																																																																																																																																																																																																																																																		
5	PIN	COPPER ALLOY	Tinned	4																																																																																																																																																																																																																																																																																																																																																																																																																																		
5	PIN	COPPER ALLOY	Tinned	3																																																																																																																																																																																																																																																																																																																																																																																																																																		
1	SHROUD F. PIN HEADER	CUSN	Tinned	2																																																																																																																																																																																																																																																																																																																																																																																																																																		
1	PINHEADER 10 POS.	PPA-EP25	SHROUD F. PIN HEADER, SHIELDING, SH. SER.	1																																																																																																																																																																																																																																																																																																																																																																																																																																		
5	PIN	COPPER ALLOY	Tinned	4																																																																																																																																																																																																																																																																																																																																																																																																																																		
5	PIN	COPPER ALLOY	Tinned	3																																																																																																																																																																																																																																																																																																																																																																																																																																		
1	SHROUD F. PIN HEADER	CUSN	Tinned	2																																																																																																																																																																																																																																																																																																																																																																																																																																		
1	PINHEADER 10 POS.	PPA-EP25	SHROUD F. PIN HEADER, SHIELDING, SH. SER.	1																																																																																																																																																																																																																																																																																																																																																																																																																																		
5	PIN	COPPER ALLOY	Tinned	4																																																																																																																																																																																																																																																																																																																																																																																																																																		
5	PIN	COPPER ALLOY	Tinned	3																																																																																																																																																																																																																																																																																																																																																																																																																																		
1	SHROUD F. PIN HEADER	CUSN	Tinned	2																																																																																																																																																																																																																																																																																																																																																																																																																																		
1	PINHEADER 10 POS.	PPA-EP25	SHROUD F. PIN HEADER, SHIELDING, SH. SER.	1																																																																																																																																																																																																																																																																																																																																																																																																																																		
5	PIN	COPPER ALLOY	Tinned	4																																																																																																																																																																																																																																																																																																																																																																																																																																		
5	PIN	COPPER ALLOY	Tinned	3																																																																																																																																																																																																																																																																																																																																																																																																																																		
1	SHROUD F. PIN HEADER	CUSN	Tinned	2																																																																																																																																																																																																																																																																																																																																																																																																																																		
1	PINHEADER 10 POS.	PPA-EP25	SHROUD F. PIN HEADER, SHIELDING, SH. SER.	1																																																																																																																																																																																																																																																																																																																																																																																																																																		
5	PIN	COPPER ALLOY	Tinned	4																																																																																																																																																																																																																																																																																																																																																																																																																																		
5	PIN	COPPER ALLOY	Tinned	3																																																																																																																																																																																																																																																																																																																																																																																																																																		
1	SHROUD F. PIN HEADER	CUSN	Tinned	2																																																																																																																																																																																																																																																																																																																																																																																																																																		
1	PINHEADER 10 POS.	PPA-EP25	SHROUD F. PIN HEADER, SHIELDING, SH. SER.	1																																																																																																																																																																																																																																																																																																																																																																																																																																		
5	PIN	COPPER ALLOY	Tinned	4																																																																																																																																																																																																																																																																																																																																																																																																																																		
5	PIN	COPPER ALLOY	Tinned	3																																																																																																																																																																																																																																																																																																																																																																																																																																		
1	SHROUD F. PIN HEADER	CUSN	Tinned	2																																																																																																																																																																																																																																																																																																																																																																																																																																		
1	PINHEADER 10 POS.	PPA-EP25	SHROUD F. PIN HEADER, SHIELDING, SH. SER.	1																																																																																																																																																																																																																																																																																																																																																																																																																																		
5	PIN	COPPER ALLOY	Tinned	4																																																																																																																																																																																																																																																																																																																																																																																																																																		
5	PIN	COPPER ALLOY	Tinned	3																																																																																																																																																																																																																																																																																																																																																																																																																																		
1	SHROUD F. PIN HEADER	CUSN	Tinned	2																																																																																																																																																																																																																																																																																																																																																																																																																																		
1	PINHEADER 10 POS.	PPA-EP25	SHROUD F. PIN HEADER, SHIELDING, SH. SER.	1																																																																																																																																																																																																																																																																																																																																																																																																																																		
5	PIN	COPPER ALLOY	Tinned	4																																																																																																																																																																																																																																																																																																																																																																																																																																		
5	PIN	COPPER ALLOY	Tinned	3																																																																																																																																																																																																																																																																																																																																																																																																																																		
1	SHROUD F. PIN HEADER	CUSN	Tinned	2																																																																																																																																																																																																																																																																																																																																																																																																																																		
1	PINHEADER 10 POS.	PPA-EP25	SHROUD F. PIN HEADER, SHIELDING, SH. SER.	1																																																																																																																																																																																																																																																																																																																																																																																																																																		
5	PIN	COPPER ALLOY	Tinned	4																																																																																																																																																																																																																																																																																																																																																																																																																																		
5	PIN	COPPER ALLOY	Tinned	3																																																																																																																																																																																																																																																																																																																																																																																																																																		
1	SHROUD F. PIN HEADER	CUSN	Tinned	2																																																																																																																																																																																																																																																																																																																																																																																																																																		
1	PINHEADER 10 POS.	PPA-EP25	SHROUD F. PIN HEADER, SHIELDING, SH. SER.	1																																																																																																																																																																																																																																																																																																																																																																																																																																		
5	PIN	COPPER ALLOY	Tinned	4																																																																																																																																																																																																																																																																																																																																																																																																																																		
5	PIN	COPPER ALLOY	Tinned	3																																																																																																																																																																																																																																																																																																																																																																																																																																		
1	SHROUD F. PIN HEADER	CUSN	Tinned	2																																																																																																																																																																																																																																																																																																																																																																																																																																		
1	PINHEADER 10 POS.	PPA-EP25	SHROUD F. PIN HEADER, SHIELDING, SH. SER.	1																																																																																																																																																																																																																																																																																																																																																																																																																																		
5	PIN	COPPER ALLOY	Tinned	4																																																																																																																																																																																																																																																																																																																																																																																																																																		
5	PIN	COPPER ALLOY	Tinned	3																																																																																																																																																																																																																																																																																																																																																																																																																																		
1	SHROUD F. PIN HEADER	CUSN	Tinned	2																																																																																																																																																																																																																																																																																																																																																																																																																																		
1	PINHEADER 10 POS.	PPA-EP25	SHROUD F. PIN HEADER, SHIELDING, SH. SER.	1																																																																																																																																																																																																																																																																																																																																																																																																																																		
5	PIN	COPPER ALLOY	Tinned	4																																																																																																																																																																																																																																																																																																																																																																																																																																		
5	PIN	COPPER ALLOY	Tinned	3																																																																																																																																																																																																																																																																																																																																																																																																																																		
1	SHROUD F. PIN HEADER	CUSN	Tinned	2																																																																																																																																																																																																																																																																																																																																																																																																																																		
1	PINHEADER 10 POS.	PPA-EP25	SHROUD F. PIN HEADER, SHIELDING, SH. SER.	1																																																																																																																																																																																																																																																																																																																																																																																																																																		
5	PIN	COPPER ALLOY	Tinned	4																																																																																																																																																																																																																																																																																																																																																																																																																																		
5	PIN	COPPER ALLOY	Tinned	3																																																																																																																																																																																																																																																																																																																																																																																																																																		
1	SHROUD F. PIN HEADER	CUSN	Tinned	2																																																																																																																																																																																																																																																																																																																																																																																																																																		
1	PINHEADER 10 POS.	PPA-EP25	SHROUD F. PIN HEADER, SHIELDING, SH. SER.	1																																																																																																																																																																																																																																																																																																																																																																																																																																		
5	PIN	COPPER ALLOY	Tinned	4																																																																																																																																																																																																																																																																																																																																																																																																																																		
5	PIN	COPPER ALLOY	Tinned	3																																																																																																																																																																																																																																																																																																																																																																																																																																		
1	SHROUD F. PIN HEADER	CUSN	Tinned	2																																																																																																																																																																																																																																																																																																																																																																																																																																		
1	PINHEADER 10 POS.	PPA-EP25	SHROUD F. PIN HEADER, SHIELDING, SH. SER.	1																																																																																																																																																																																																																																																																																																																																																																																																																																		
5	PIN	COPPER ALLOY	Tinned	4																																																																																																																																																																																																																																																																																																																																																																																																																																		
5	PIN	COPPER ALLOY	Tinned	3																																																																																																																																																																																																																																																																																																																																																																																																																																		
1	SHROUD F. PIN HEADER	CUSN	Tinned	2																																																																																																																																																																																																																																																																																																																																																																																																																																		
1	PINHEADER 10 POS.	PPA-EP25	SHROUD F. PIN HEADER, SHIELDING, SH. SER.	1																																																																																																																																																																																																																																																																																																																																																																																																																																		

**NOTES
Bemerkungen**

- ONLY THE GERMAN LANGUAGE VERSION AUTHORITY
Maßgebend ist der deutsche Text
- FUNCTIONAL MEASUREMENTS MARKED WITH ARE DOCUMENTED IN THE EMPB. NOT MARKED MEASUREMENTS ARE MEASURED BUT NOT DOCUMENTED IN THE EMPB. DEVIATIONS HAVE TO BE CORRECTED. Funktionsbestimmende Maße, die mit gekennzeichnet sind, werden im EMPB dokumentiert. Nicht gekennzeichnete Maße werden ebenfalls ausgemessen, aber nicht im EMPB dokumentiert. Abweichungen sind zu korrigieren.
- MEASUREMENTS MARKED WITH *k* HAVE TO BE USED FOR MACHINE CAPABILITY STUDIES IN THE EMPB. Maße, die mit *k* gekennzeichnet sind, werden fuer Maschinenfähigkeitsnachweise im Rahmen des EMPB verwendet
- WARPAGE PERMITTED MAX. +/-0.3MM
Verzug zulaessig max. +/-0.3mm
- SUPPLIER-MARK
Lieferanten-Kennzeichnung
- DATE CODE
Herstellungskennung
- CAVITY MARKING
Kammernummern
- NOT SPECIFIED DIMENSIONS SEE SPECIFICATION: 114-18654
Fehlende Maße siehe Ausfuhrungsvorschrift:
- REFERENCE SREW FOR CONNECTION WITH PCB: EJOT PT K22 TORX
Referenzschraube zur Verbindung mit PCB: EJOT PT K22 Torx
TORQUE TORX-SCREW:
Anzugsmoment Torx-Schraube: 30+5 Ncm

X-ON Electronics

Largest Supplier of Electrical and Electronic Components

Click to view similar products for [Headers & Wire Housings](#) category:

Click to view products by [TE Connectivity](#) manufacturer:

Other Similar products are found below :

[95000-104TRLF](#) [10135584-644402LF](#) [DF62W-EP2022PCA](#) [95000-106TRLF](#) [DF62W-2022SCA](#) [DF62W-EP2022PC](#) [2203348](#) [DF62W-2022SC](#) [1084018](#) [1029039](#) [1084017](#) [802-10-012-10-002000](#) [1112640](#) [1112639](#) [891-007-9SS-BST1T](#) [000-34000](#) [0008550134](#) [0009482033](#) [0009507031](#) [57102-F02-18ULF](#) [57102-S06-03LF](#) [57202-S52-04LF](#) [PCN6-15S-2.5E](#) [0039019024](#) [58102-G61-06LF](#) [582553-1](#) [0009485154](#) [0009508121](#) [0022285053](#) [0050291907](#) [018731A](#) [LY20-4P-DT1-P1E-BR](#) [02.125.8002.8](#) [60101931](#) [60598-1 \(Cut Strip\)](#) [M1625-3R/100](#) [61062-3](#) [61082-181009](#) [CSU011177004](#) [636-1427](#) [638009-1](#) [641938-9](#) [641991-4](#) [644168-1](#) [644827-2](#) [647662-1](#) [65039-019ELF](#) [65692-001LF](#) [65781-018](#) [65781-047](#)