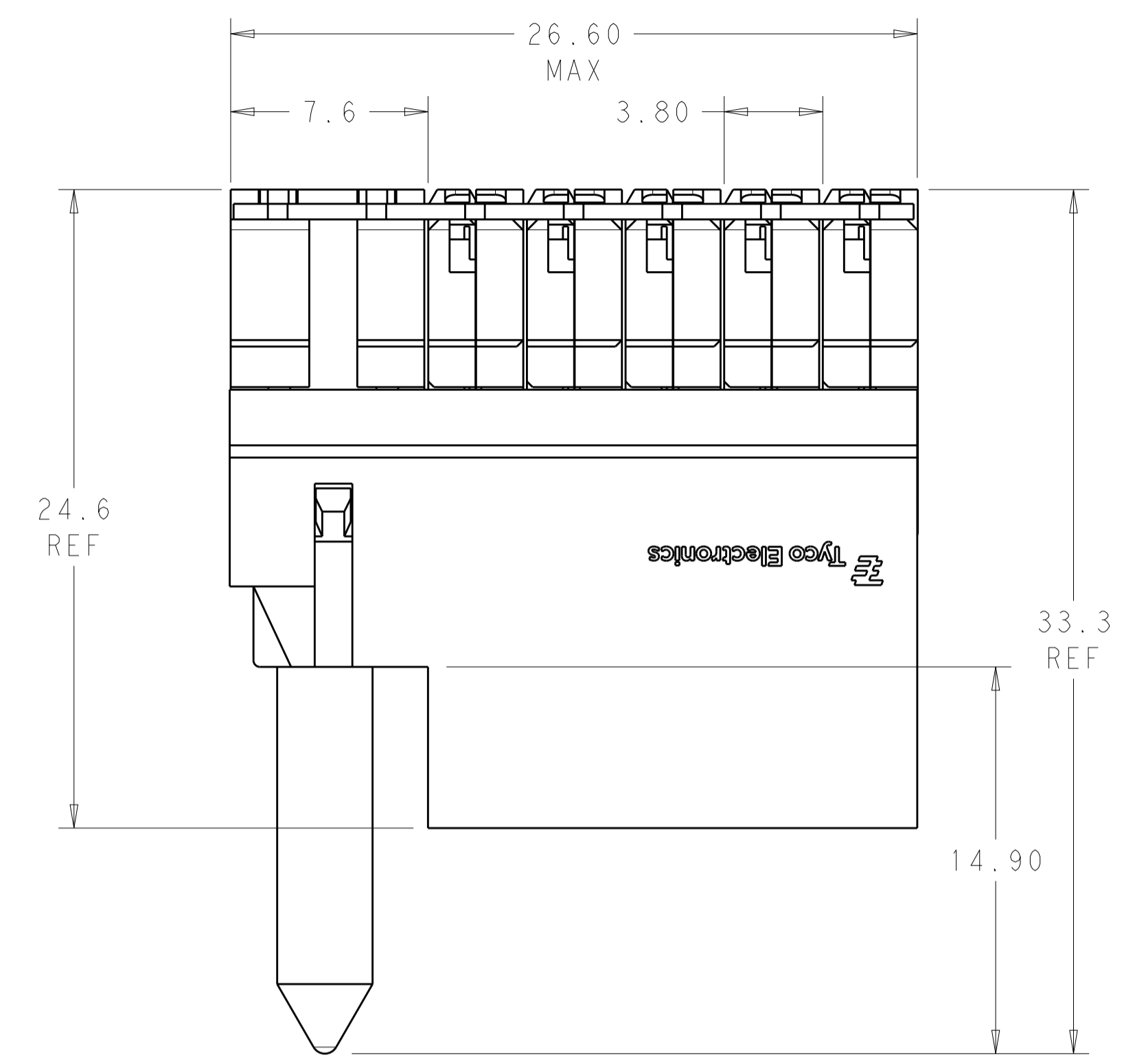
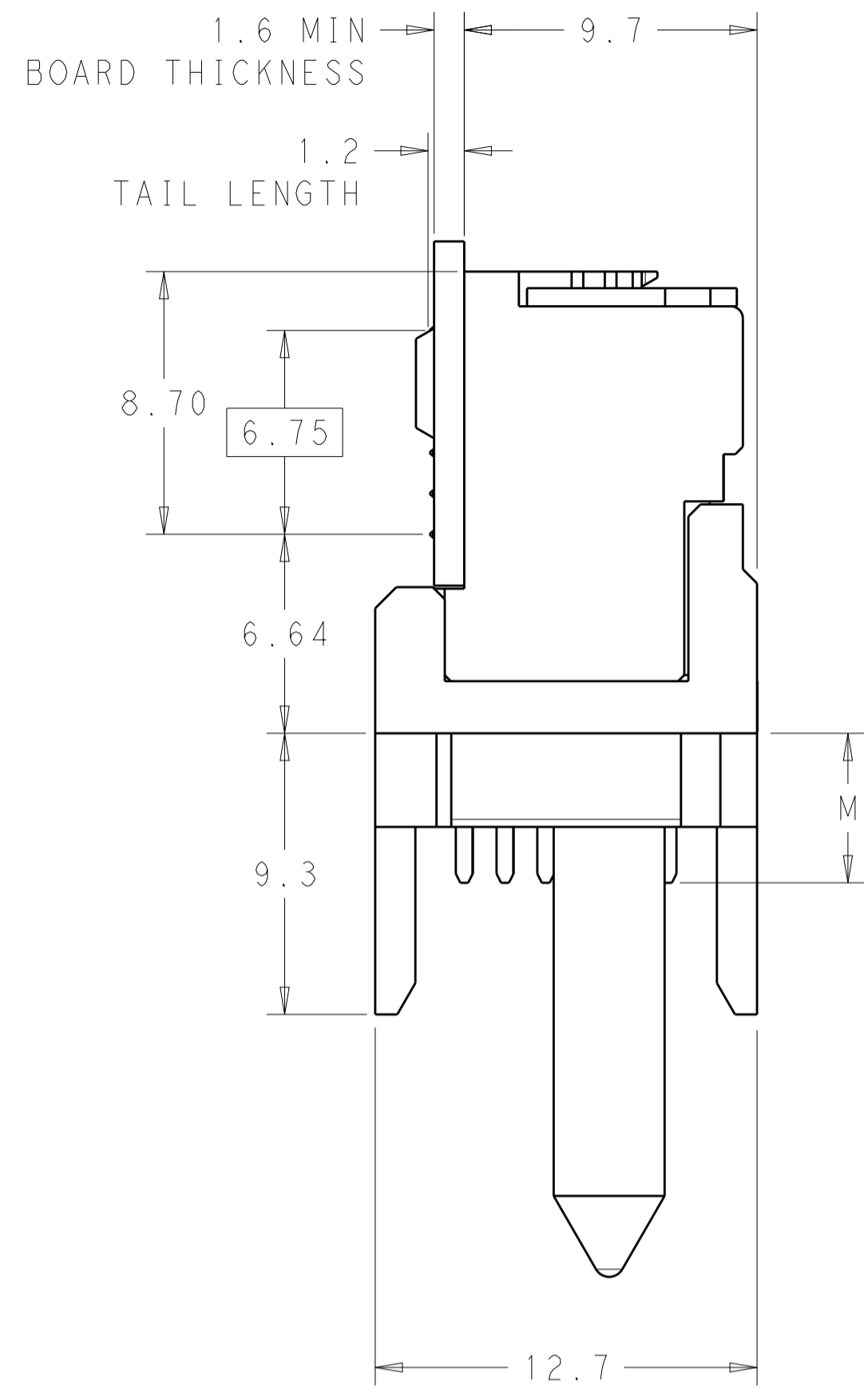
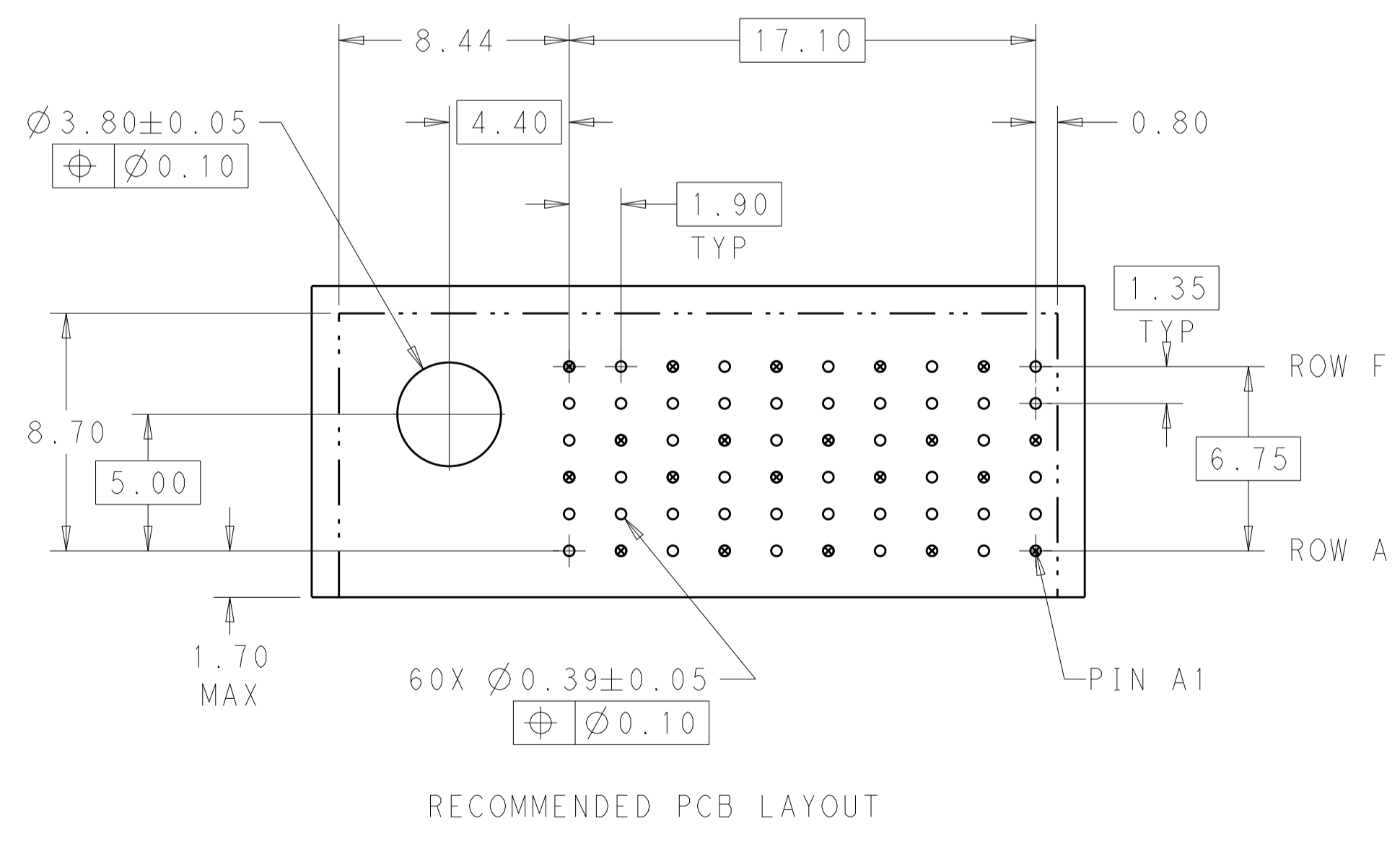
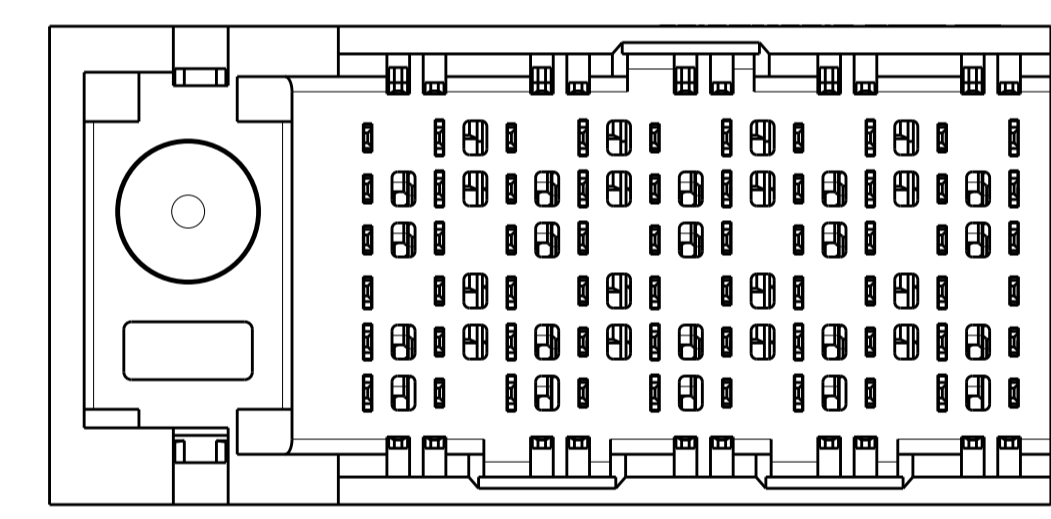
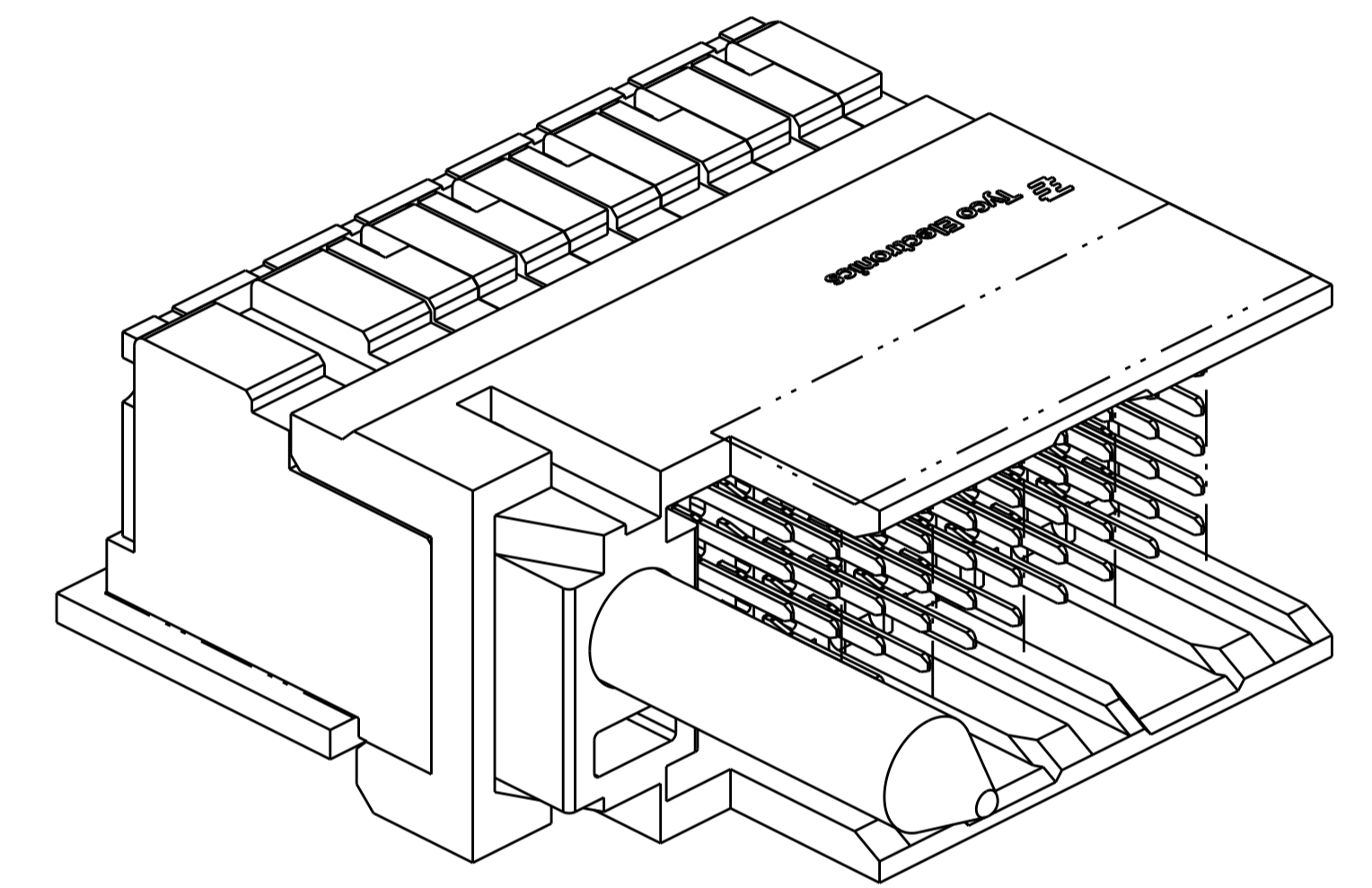


REVISIONS				
P.	LTN	DESCRIPTION	DATE	APVD
B1		REVISED PER ECO-15-003239	24MAR2015	AP DD

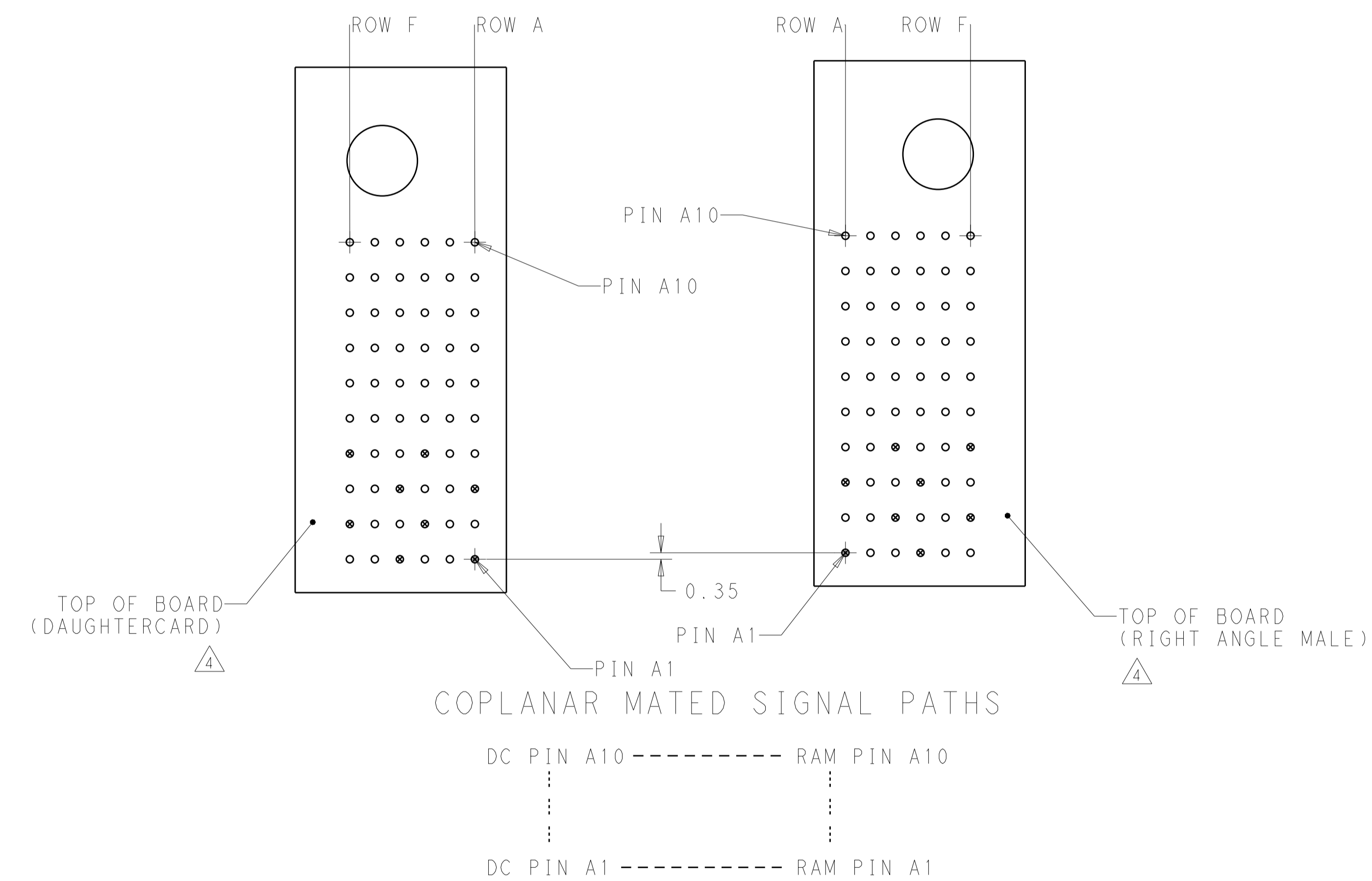


- 1 MATERIAL:
HOUSING: LCP, GLASS FILLED, UL94V-0.
TERMINALS: HIGH PERFORMANCE COPPER ALLOY.
- 2 FINISH:
30µm SELECTIVE GOLD IN CONTACT AREA. SELECTIVE TIN ON PCB TAILS, NICKEL OVERALL.
- 3 FINISH:
30µm SELECTIVE GOLD IN CONTACT AREA. SELECTIVE TIN-LEAD ON PCB TAILS, NICKEL OVERALL.
- 4 LEFT GUIDED RIGHT ANGLE MALE MATES TO RIGHT GUIDED RIGHT ANGLE RECEPTACLE.
- 5. CONNECTOR SUPPLIED WITH MOUNTING SCREW.



THIS DRAWING IS A CONTROLLED DOCUMENT.		OWN B. CARBO 15MAR2011	TE Connectivity
DIMENSIONS: mm		CHK J. EARY 15MAR2011	
TOLERANCES UNLESS OTHERWISE SPECIFIED:		APVD J. EARY 15MAR2011	NAME IMPACT, STD. RAM, 2 PAIR, 10 COLUMN LEFT GUIDED OPEN END WALL SIGNAL MODULE, 0.39 EYELET
0 PLC ±	1 PLC ±0.25	PRODUCT SPEC	SIZE CAGE CODE DRAWING NO
2 PLC ±0.13	3 PLC ±	APPLICATION SPEC	A100779C=2143016
4 PLC ±	ANGLES ±	FINISH SEE TABLE	RESTRICTED TO
MATERIAL	SEE TABLE	WEIGHT	Customer Drawing
SCALE 5:1		SHEET 1 OF 2	REV B1

REVISIONS				
P.	LTN	DESCRIPTION	DATE	OWN APVD
-	-	SEE SHEET 1	-	-



△3	5.50	2143016-6
△3	4.90	2143016-5
△2	5.50	2143016-3
△2	4.90	2143016-2
FINISH	DIM M	PART NUMBER

REFER TO WWW.TE.COM FOR PRODUCT AVAILABILITY

THIS DRAWING IS A CONTROLLED DOCUMENT.		OWN: B. CARBO 15MAR2011	TE Connectivity
DIMENSIONS: mm		CHK: J. EARY 15MAR2011	
TOLERANCES UNLESS OTHERWISE SPECIFIED:		APVD: J. EARY 15MAR2011	
0 PLC ± 1 PLC ±0.25 2 PLC ±0.13 3 PLC ± 4 PLC ± ANGLES ± FINISH ±		NAME: IMPACT, STD. RAM, 2 PAIR, 10 COLUMN LEFT GUIDED OPEN END WALL SIGNAL MODULE, 0.39 EYELET	
MATERIAL: SEE TABLE	WEIGHT: -	SIZE: A100779	RESTRICTED TO: -
Customer Drawing		SCALE: 5:1	SHEET 2 OF 2 REV: B1

X-ON Electronics

Largest Supplier of Electrical and Electronic Components

Click to view similar products for [High Speed/Modular Connectors](#) category:

Click to view products by [TE Connectivity](#) manufacturer:

Other Similar products are found below :

[2332816-1](#) [89006-1137LF](#) [650827-1](#) [65762-001LF](#) [73474-201LF](#) [74040-1346](#) [74075-0267](#) [88911-201LF](#) [9514M0C20D](#) [1410191-1](#)
[1410337-1](#) [1410368-3](#) [1410964-2](#) [1410326-3](#) [1410367-3](#) [1410971-4](#) [1467833-1](#) [2000877-1](#) [2000878-1](#) [2041314-1](#) [2065387-1](#) [2187307-1](#)
[2187462-1](#) [2226278-6](#) [KA81-07](#) [91290-101LF](#) [1934290-1](#) [2000875-1](#) [2065917-1](#) [2102736-2](#) [FSR-40](#) [2169868-2](#) [2226279-2](#) [22354-8](#) [437-](#)
[5040-000](#) [5-1393565-0](#) [532449-3](#) [532803-2](#) [34745-0001](#) [0740618502](#) [0760151403](#) [0760551105](#) [0760551608](#) [0761451128](#) [0761651124](#)
[0761655108](#) [0761659807](#) [0769853208](#) [0736440217](#) [0758324203](#)