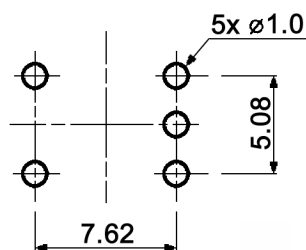
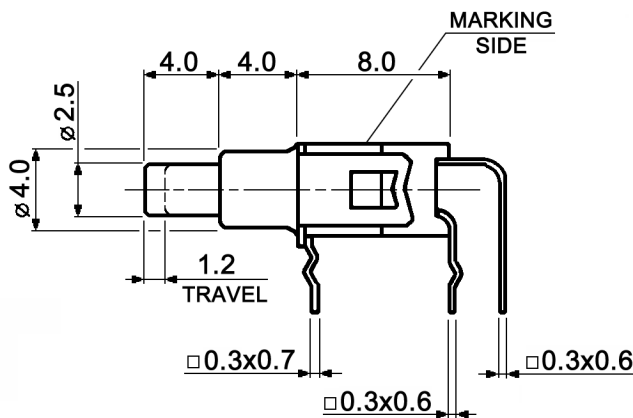


P.C. MOUNTING

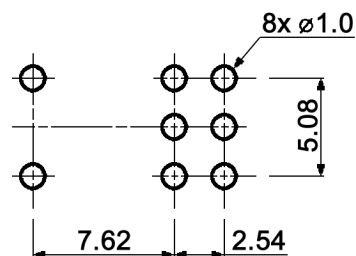


When looking at the marking side, the normally closed contacts are on the right hand side.

APE 1F-RA

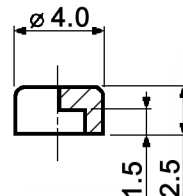


P.C. MOUNTING



APE 2F-RA

Caps:



Specifications:

- Contact rating: max. 48V AC/DC, 0.4VA / max. 50mA
min. 20mV AC/DC, 1µA
- Contact resistance: 50mOhm max.
- Insulation resistance: 500MOhm min. at 250V DC
- Dielectric strength: 500V, 50Hz for the duration of 1 minute
- Operating temperature: -20°C to +85°C
- Mechanical life: min. 60 000 cycles
- Operating force: 1.86 +/-1.08N
- Soldering conditions: auto-soldering: max.: 260 +/-5°C, 5sec.
- Switching function: on - mom
- Mouting: on pc-board
- Material: Case: PBT, meets UL94V-0, washable
Metal parts: brass, nickel plated
Contacts: phosphor bronze, gold plated over nickel barrier
Terminals: PC terminals, crimped, phosphor bronze, gold plated over nickel barrier

- black KA 3105
- green KA 3106
- grey KA 3107
- yellow KA 3108
- red KA 3109
- white KA 3110

UL file number: E140532



Tolerances:	Date	Name
		08/09
Modifications	Date	Name

APE 1F-RA / APE 2F-RA

knitter-switch

30 16 86

Page

1/1

X-ON Electronics

Largest Supplier of Electrical and Electronic Components

Click to view similar products for [Pushbutton Switches](#) category:

Click to view products by [Knitter-Switch](#) manufacturer:

Other Similar products are found below :

[LW1L-M1C10V-A](#) [LW2L-A1C20M-GD](#) [LW2L-M1C20M-A](#) [60324L](#) [M7E-HRN2](#) [67021K512](#) [67081K512X](#) [701PB580](#) [719-5504-000](#)
[MDPSSGLFS](#) [810KSV30B](#) [MML21KA3ABK](#) [MML23KA3AC05K-001](#) [MML23KW3AA01W](#) [8418K2](#) [8646AB6X718UL](#) [8646ABUL](#)
[FSDWH](#) [9001KXRK](#) [9001T8BK](#) [9533CD4+U574+U4922](#) [1203MRA](#) [A22EM01S](#) [A595](#) [1202A6](#) [12037A2ULCSA](#) [1203A2UL](#) [ABD122N-](#)
[B](#) [1211390004](#) [ABN111-Y](#) [ABN400-R](#) [1211500044](#) [1211580012](#) [1212MRA](#) [1232A6NF](#) [RA3CSH6A](#) [1241.1183.7047](#) [1241.2511](#)
[1241.3428](#) [1223A2ULCSA](#) [1223MRA](#) [1232AX2119](#) [1241.1183.8000](#) [1241.1183.8029](#) [1241.2506](#) [1241.2606](#) [12MA6](#) [1301940184](#)
[RELBARF6X10\(PLASTIC\)](#) [13435AG](#)