

THIS DRAWING IS UNPUBLISHED.

RELEASED FOR PUBLICATION

20

© COPYRIGHT 20

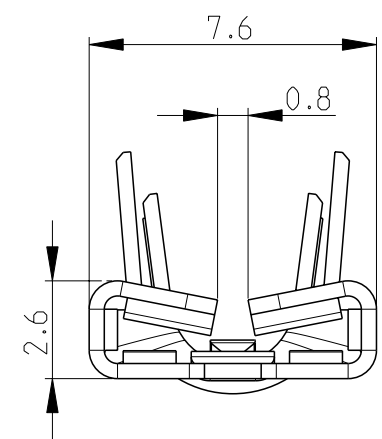
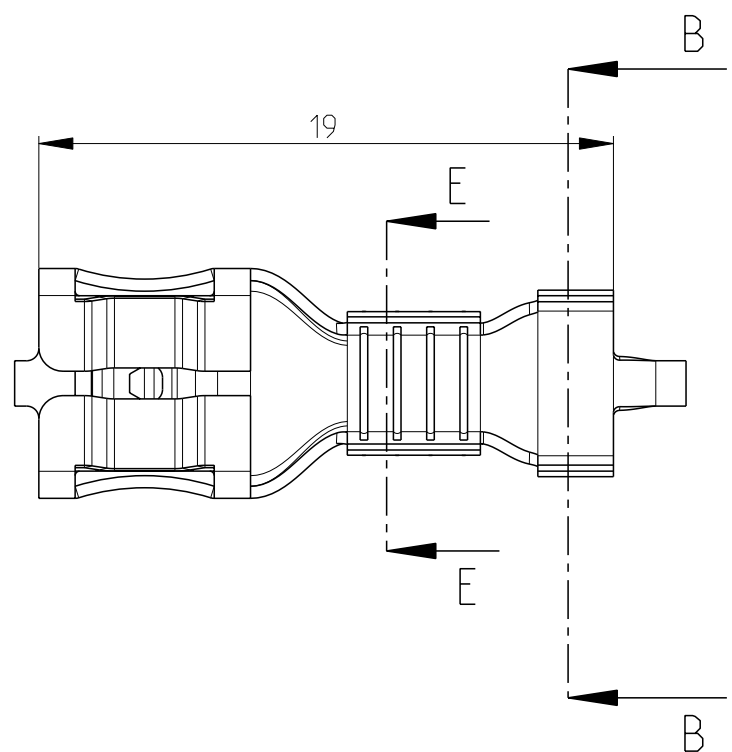
BY TYCO ELECTRONICS CORPORATION

ALL RIGHTS RESERVED.

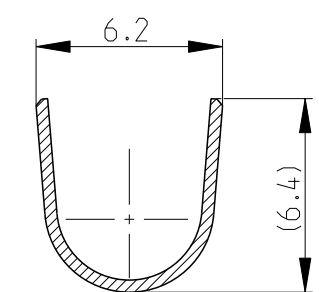
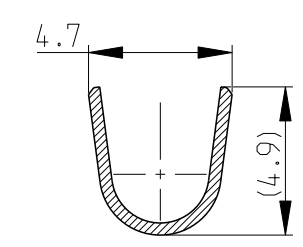
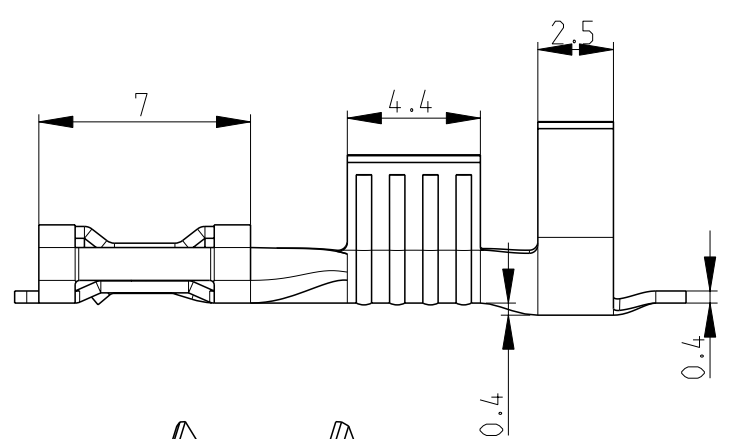
LOC -  
DIST -

REVISIONS

P	LTR	DESCRIPTION	DATE	DWN	APVD
	A	REV.A RELEASE BASED ON REV.3	23OCT2014	DL	TD
	A1	RELEASE PER ECR-14-018864	24DEC2014	DL	TD

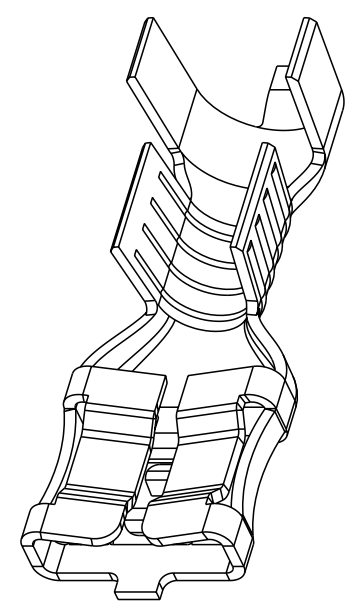


- NOTE:
- CONTINUOUS STRIP ON REELS
  - MATING TAB ACCORDING TO UL310 AND IEC61210 NORM. (WIDTH\*THICKNESS IS 6.3\*0.8mm)
  - WIRE SIZE IS #12-#10 AWG(3.3-5.3 sqmm)
  - INSULATION RANGE IS Ø3.6-5mm
  - CUT-OFF TAB LENGTH IS 0.5mm MAX.



SECTION E-E

SECTION B-B



Pre-NICKEL	Steel	2178301-1
FINISH	MATERIAL	PART NO.

THIS DRAWING IS A CONTROLLED DOCUMENT.		DWN VIBHUTHI 29NOV2012	<b>TE Connectivity</b>											
DIMENSIONS: mm		CHK SUBHASH M 29NOV2012			NAME 6.3 SRS F-SPRING LIF RECEPTACLE									
TOLERANCES UNLESS OTHERWISE SPECIFIED:		APVD SURESH T N 29NOV2012												
<table border="0"> <tr><td>0 PLC</td><td>±0.5</td></tr> <tr><td>1 PLC</td><td>±0.5</td></tr> <tr><td>2 PLC</td><td>±0.25</td></tr> <tr><td>3 PLC</td><td>±</td></tr> <tr><td>4 PLC</td><td>±</td></tr> <tr><td>ANGLES</td><td>±°</td></tr> </table>		0 PLC			±0.5	1 PLC	±0.5	2 PLC	±0.25	3 PLC	±	4 PLC	±	ANGLES
0 PLC	±0.5													
1 PLC	±0.5													
2 PLC	±0.25													
3 PLC	±													
4 PLC	±													
ANGLES	±°													
MATERIAL SEE TABLE	FINISH SEE TABLE	APPLICATION SPEC 114-64027	SIZE A3	CAGE CODE 00779	DRAWING NO C-2178301	RESTRICTED TO -								
CUSTOMER DRAWING			SCALE 4:1	SHEET 1 OF 1	REV A1									

## X-ON Electronics

Largest Supplier of Electrical and Electronic Components

*Click to view similar products for [Terminals](#) category:*

*Click to view products by [TE Connectivity](#) manufacturer:*

Other Similar products are found below :

[HT-13-10](#) [71M-250-32-NB](#) [01-2065-1-0216](#) [00581P0075](#) [M10-10RX](#) [M10BCK](#) [60205-1](#) [604200-1](#) [60598-1-CUT-TAPE](#) [60617-1-C](#) [60873-1](#) [M14-516R/SK](#) [M14-6RSX](#) [M18-10FLX](#) [M18-8FBX](#) [M18-8R/LX](#) [M18BCK](#) [61314-6-C](#) [61-S](#) [61-SN-A](#) [62-NBM-A](#) [63-S](#) [640179-1](#) [640917-2-CUT-TAPE](#) [6501550002](#) [66107-2-C](#) [66107-4-C](#) [696683-1](#) [696834-1](#) [696861-1](#) [696931-1](#) [696999-1](#) [M8-516RK](#) [M86700006](#) [MA250DMFMX-A](#) [701-2007](#) [701-2307](#) [701-7761-03](#) [70F-110-32-PB](#) [718-N-A](#) [71M-187-20-NBL](#) [71M-250-32-NBL](#) [72F-187-20-NBL](#) [72M-250-32-NBL](#) [7310](#) [73F-250-32](#) [73F-250-32-NBL](#) [73F-250-32-NL](#) [F14-10C](#) [F-1M](#)