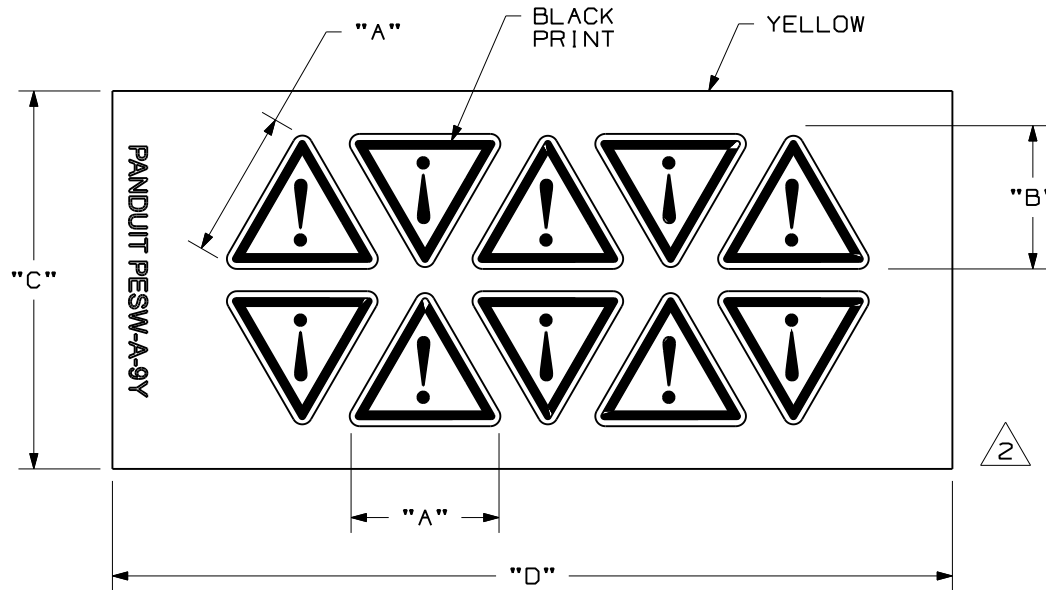


THIS COPY IS PROVIDED ON A RESTRICTED BASIS AND IS NOT TO BE USED IN ANY WAY DETRIMENTAL TO THE INTERESTS OF PANDUIT CORP.

| PART NAME | NUMBER OF LABELS PER CARD | "A"                | "B"            | "C"             | "D"             |
|-----------|---------------------------|--------------------|----------------|-----------------|-----------------|
| PESW-A-*Y | 10                        | .430 [ 11.01 ]     | .41 [ 10.4 ]   | 1.125 [ 28.6 ]  | 2.50 [ 63.5 ]   |
| PESW-B-*Y | 10                        | .900 [ 22.86 ]     | .785 [ 19.9 ]  | 2.00 [ 50.79 ]  | 5.00 [ 127.0 ]  |
| PESW-C-*Y | 10                        | 1.820<br>[ 46.23 ] | 1.61 [ 40.9 ]  | 4.375 [ 111.1 ] | 10.00 [ 254.0 ] |
| PESW-D-*Y | 3                         | 3.650<br>[ 92.71 ] | 3.20 [ 81.3 ]  | 4.00 [ 101.6 ]  | 10.00 [ 254.0 ] |
| PESW-E-*Y | 1                         | 7.280 [ 185 ]      | 6.82 [ 173.2 ] | N/A             | N/A             |

NOTES:  
 1. MILLIMETER ARE IN [ ].  
 2. 10 CARD PER PACKAGE.

| PART NO.  | LEGEND |
|-----------|--------|
| PESW--1Y  |        |
| PESW--6Y  |        |
| PESW--8Y  |        |
| PESW--9Y  |        |
| PESW--11Y |        |



CAD FILENAME/LAYERS 100318JW\_DC\_C10664/02C

PANDUIT CORP. TINLEY PARK, ILLINOIS

CUSTOMER DRAWING  
PESW ISO LABELS

| REV | DATE     | BY   | CHK | DESCRIPTION  | ECN  | R | CUST | SUP |
|-----|----------|------|-----|--|------|---|------|-----|
| 2   | 02/05/09 | JHAC |     | CHANGED REFERENCE PART SHOWN FROM PESW-A-8Y TO PESW-A-9Y, MODIFIED DIMENSION REFERENCE POINTS  | 5671 | R |      |     |
| 1   | 11/10/08 | JHAC |     | ADDED TABLE. CHANGED DIMENSIONS TO LETTER FORMAT, REMOVED NOTE 2, CHANGED NOTE 3 TO 2, CHANGED NAME FROM PESW-A-*Y TO PESW ISO LABELS. | 5585 | R |      |     |
| 0   | 7/22/08  | RVU  |     | DRAWING RELEASE  | 5363 | R |      |     |

UNLESS OTHERWISE SPECIFIED, DIMENSIONAL TOLERANCES ARE:  
 (.X) ± .1      (.XXX) ± .025  
 (.XX) ± .062      ANGLES ± 5°

UNLESS OTHERWISE SPECIFIED, ALL DIMENSIONS ARE GIVEN IN INCHES, THIRD ANGLE PROJECTION.

DRAWN BY RVU MAT'L: GMV1-OL VINYL FILM  
 DATE 3/24/08  
 CHK'D

SCALE NTS  
 DRAWING NO. C10664  
 DWG SIZE A

## X-ON Electronics

Largest Supplier of Electrical and Electronic Components

*Click to view similar products for [Labels and Industrial Warning Signs](#) category:*

*Click to view products by [Panduit](#) manufacturer:*

Other Similar products are found below :

[FTP-020P0020](#) [QCC613](#) [QCC615](#) [1878678-5](#) [2-1768019-7](#) [SDR-R](#) [1768021-2](#) [1878679-3](#) [QC154](#) [QCC612](#) [5-1768021-4](#) [5-1768021-6](#)  
[06770](#) [KMT-02513V-9](#) [06742](#) [1395344-1](#) [8-1768039-4](#) [SDR-O](#) [SDR-+\(PLUS\)](#) [LEB-1325P-8A](#) [06736](#) [CN9920-000](#) [KMT-07323V-9](#) [PVT-](#)  
[157-D-Q](#) [1768023-9](#) [PLVS0305D7347](#) [PVS0305D7347](#) [1090079](#) [1090080](#) [1090081](#) [1090082](#) [SNS-C11.7-2525-200-P](#) [5771-4.5X72YDS](#)  
[001172X](#) [0803187](#) [0803204](#) [0803851](#) [0803853](#) [0803872](#) [0803873](#) [0803878](#) [0803932](#) [0828169](#) [0830671](#) [0831593](#) [0831638](#) [0831645](#)  
[0831693](#) [0831699](#) [0832104](#)