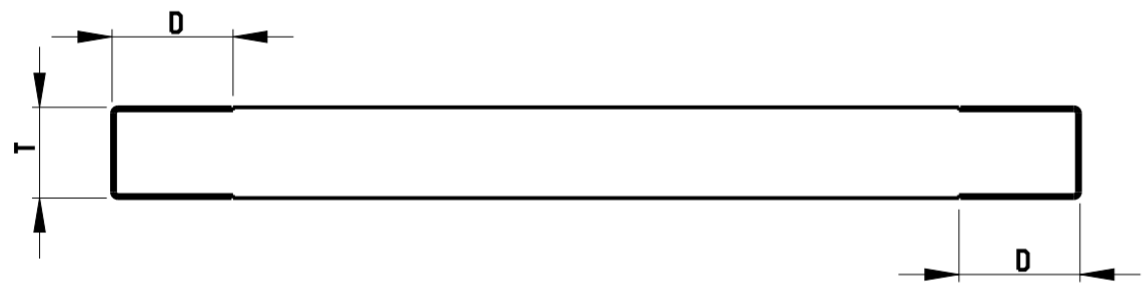
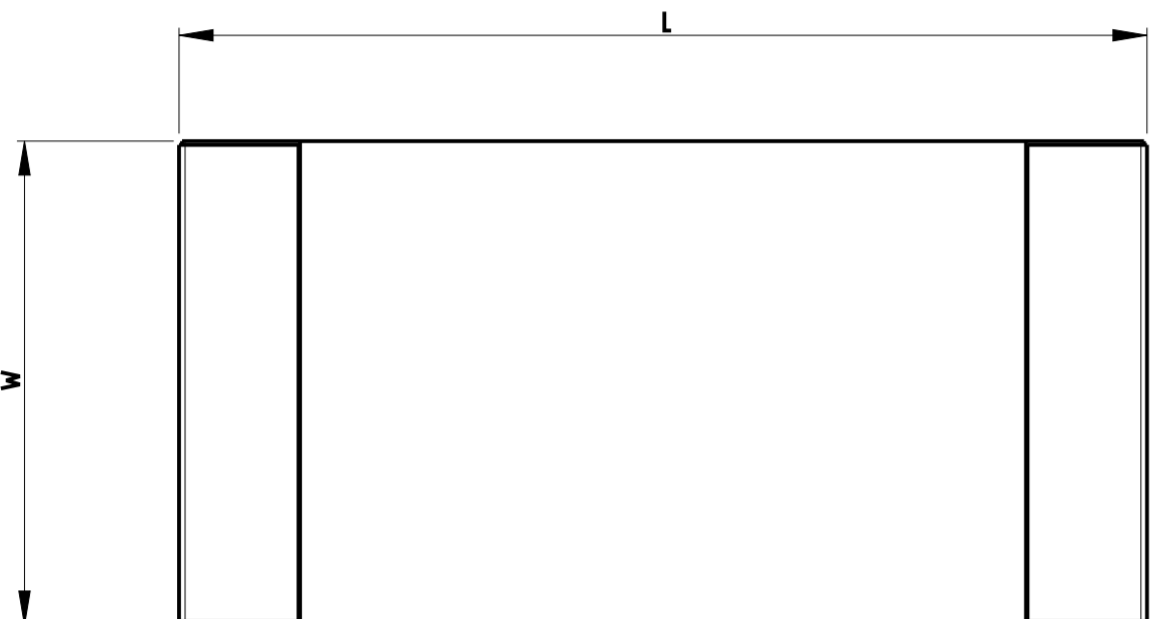


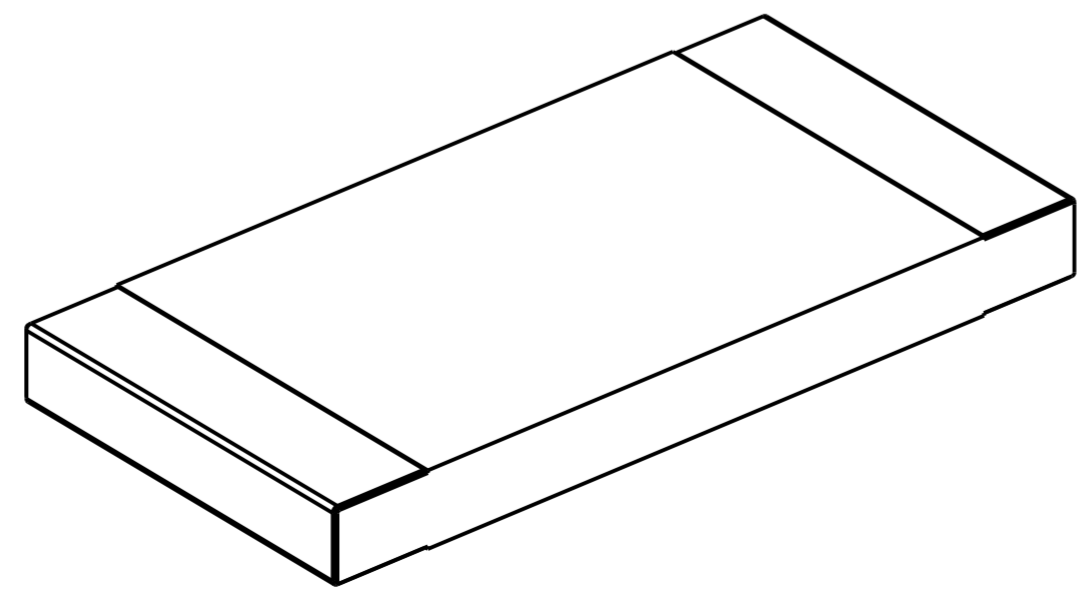
THIS DRAWING IS UNPUBLISHED. RELEASED FOR PUBLICATION 2008
 (C) COPYRIGHT 2008 ALL RIGHTS RESERVED.

REVISIONS					
P	LTR	DESCRIPTION	DATE	DWN	APVD
BA		NEW RELEASE	14SEP2011	PSK	JC
BA1		ECR-14-008096	30MAY2014	KR	TN

FOR FURTHER INFORMATION SEE DATA SHEET FOR
 TLR SERIES-SMD HIGH POWER CURRENT SENSE RESISTORS



RoHS Compliant



Complete TIN	Product Number	Material Description	L	W	T	D	Weight / 1000
1879378-1	TLR3A10DR01FTDG	TLR3A 1.0W R01 1% 2K RL	6.35+/-0.254	3.18+/-0.254	0.25+/-0.20	1.30+/-0.38	25.97
1879378-2	TLR3A30DR001FTDG	TLR3A 3.0W R001 1% 2K RL	6.35+/-0.25	3.00+/-0.20	0.60+/-0.20	1.93+/-0.25	59.13
1879378-3	TLR3A30ER0005FTDG	TLR3A 3.0W R0005 1% 2K RL	6.35+/-0.25	3.00+/-0.20	0.60+/-0.20	2.68+/-0.25	59.13
1879378-5	TLR3A10DR008FTDG	TLR3A 1.0W R008 1% 2K RL	6.35+/-0.25	3.00+/-0.20	0.60+/-0.20	1.18+/-0.25	59.13
1879378-7	TLR3A20DR0005FTDG	TLR3A 2.0W R0005 1% 2K RL	6.35+/-0.25	3.00+/-0.20	0.60+/-0.20	2.68+/-0.25	59.13
1879378-8	TLR3A20DR00075FTDG	TLR3A 2.0W R00075 1% 2K RL	6.35+/-0.25	3.00+/-0.20	0.60+/-0.20	2.48+/-0.25	59.13
1879378-9	TLR3A20DR001FTDG	TLR3A 2.0W R001 1% 2K RL	6.35+/-0.25	3.00+/-0.20	0.60+/-0.20	1.93+/-0.25	59.13
1-1879378-0	TLR3A20DR0015FTDG	TLR3A 2.0W R0015 1% 2K RL	6.35+/-0.25	3.00+/-0.20	0.60+/-0.20	1.43+/-0.25	59.13
1-1879378-1	TLR3A20DR002FTDG	TLR3A 2.0W R002 1% 2K RL	6.35+/-0.25	3.00+/-0.20	0.60+/-0.20	1.18+/-0.25	59.13
1-1879378-2	TLR3A20DR003FTDG	TLR3A 2.0W R003 1% 2K RL	6.35+/-0.25	3.00+/-0.20	0.60+/-0.20	1.18+/-0.25	59.13
1-1879378-3	TLR3A20DR004FTDG	TLR3A 2.0W R004 1% 2K RL	6.35+/-0.25	3.00+/-0.20	0.60+/-0.20	2.18+/-0.25	59.13
1-1879378-4	TLR3A20DR0045FTDG	TLR3A 2.0W R0045 1% 2K RL	6.35+/-0.25	3.00+/-0.20	0.60+/-0.20	2.18+/-0.25	59.13
1-1879378-5	TLR3A20DR005FTDG	TLR3A 2.0W R005 1% 2K RL	6.35+/-0.25	3.00+/-0.20	0.60+/-0.20	1.93+/-0.25	59.13
1-1879378-6	TLR3A20DR006FTDG	TLR3A 2.0W R006 1% 2K RL	6.35+/-0.25	3.00+/-0.20	0.60+/-0.20	1.93+/-0.25	59.13
1-1879378-7	TLR3A20DR0065FTDG	TLR3A 2.0W R0065 1% 2K RL	6.35+/-0.25	3.00+/-0.20	0.60+/-0.20	1.43+/-0.25	59.13
1-1879378-8	TLR3A20DR007FTDG	TLR3A 2.0W R007 1% 2K RL	6.35+/-0.25	3.00+/-0.20	0.60+/-0.20	1.43+/-0.25	59.13
1-1879378-9	TLR3A20DR008FTDG	TLR3A 2.0W R008 1% 2K RL	6.35+/-0.25	3.00+/-0.20	0.60+/-0.20	1.18+/-0.25	59.13
2-1879378-0	TLR3A20DR009FTDG	TLR3A 2.0W R009 1% 2K RL	6.35+/-0.25	3.00+/-0.20	0.60+/-0.20	1.18+/-0.25	59.13
2-1879378-1	TLR3A20DR01FTDG	TLR3A 2.0W R01 1% 2K RL	6.35+/-0.25	3.00+/-0.20	0.60+/-0.20	1.18+/-0.25	59.13
2-1879378-2	TLR3A30ER00075FTDG	TLR3A 3.0W R00075 1% 2K RL	6.35+/-0.25	3.00+/-0.20	0.60+/-0.20	2.48+/-0.25	59.13
2-1879378-3	TLR3A30DR0015FTDG	TLR3A 3.0W R0015 1% 2K RL	6.35+/-0.25	3.00+/-0.20	0.60+/-0.20	1.43+/-0.25	59.13
2-1879378-4	TLR3A30DR002FTDG	TLR3A 3.0W R002 1% 2K RL	6.35+/-0.25	3.00+/-0.20	0.60+/-0.20	1.18+/-0.25	59.13
2-1879378-5	TLR3A30DR003FTDG	TLR3A 3.0W R003 1% 2K RL	6.35+/-0.25	3.00+/-0.20	0.60+/-0.20	1.18+/-0.25	59.13
2-1879378-6	TLR3A10DR0005FTDG	TLR 2512 1.0W R0005 1% 50PPM 2K RL	6.35+/-0.254	3.18+/-0.254	1.25+/-0.20	1.30+/-0.38	181.1
2-1879378-7	TLR3A10DR00075FTDG	TLR 2512 1.0W R00075 1% 50PPM 2K RL	6.35+/-0.254	3.18+/-0.254	0.75+/-0.20	1.30+/-0.38	127.06
2-1879378-8	TLR3A10DR001FTDG	TLR 2512 1.0W R001 1% 50PPM 2K RL	6.35+/-0.254	3.18+/-0.254	0.65+/-0.20	1.30+/-0.38	108.81
2-1879378-9	TLR3A10DR0015FTDG	TLR 2512 1.0W R0015 1% 50PPM 2K RL	6.35+/-0.254	3.18+/-0.254	0.45+/-0.20	1.30+/-0.38	63.92
3-1879378-0	TLR3A10DR002FTDG	TLR 2512 1.0W R002 1% 50PPM 2K RL	6.35+/-0.254	3.18+/-0.254	0.35+/-0.20	1.30+/-0.38	46.92
3-1879378-1	TLR3A10KR0025FTDG	TLR 2512 1.0W R0025 1% 150PPM 2K RL	6.35+/-0.254	3.18+/-0.254	0.65+/-0.20	1.30+/-0.38	97.95
3-1879378-2	TLR3A10KR003FTDG	TLR 2512 1.0W R003 1% 150PPM 2K RL	6.35+/-0.254	3.18+/-0.254	0.55+/-0.20	1.30+/-0.38	83.49
3-1879378-3	TLR3A10ER004FTDG	TLR 2512 1.0W R004 1% 100PPM 2K RL	6.35+/-0.254	3.18+/-0.254	0.45+/-0.20	1.30+/-0.38	62.59
3-1879378-4	TLR3A10ER005FTDG	TLR 2512 1.0W R005 1% 100PPM 2K RL	6.35+/-0.254	3.18+/-0.254	0.35+/-0.20	1.30+/-0.38	49.84
3-1879378-5	TLR3A10WR006FTDG	TLR 2512 1.0W R006 1% 75PPM 2K RL	6.35+/-0.254	3.18+/-0.254	0.32+/-0.20	1.30+/-0.38	41.76
3-1879378-6	TLR3A10WR007FTDG	TLR 2512 1.0W R007 1% 75PPM 2K RL	6.35+/-0.254	3.18+/-0.254	0.27+/-0.20	1.30+/-0.38	34.01
3-1879378-7	TLR3A10DR011FTDG	TLR 2512 1.0W R011 1% 50PPM 2K RL	6.35+/-0.25	3.00+/-0.20	0.60+/-0.20	1.18+/-0.25	59.13
3-1879378-8	TLR3A10DR012FTDG	TLR 2512 1.0W R012 1% 50PPM 2K RL	6.35+/-0.25	3.00+/-0.20	0.60+/-0.20	1.18+/-0.25	59.13
3-1879378-9	TLR3A10DR013FTDG	TLR 2512 1.0W R013 1% 50PPM 2K RL	6.35+/-0.25	3.00+/-0.20	0.60+/-0.20	1.18+/-0.25	59.13
4-1879378-0	TLR3A10DR015FTDG	TLR 2512 1.0W R015 1% 50PPM 2K RL	6.35+/-0.25	3.00+/-0.20	0.60+/-0.20	1.18+/-0.25	59.13
4-1879378-1	TLR3A20KR0025FTDG	TLR 2512 2.0W R0025 1% 150PPM 2K RL	6.35+/-0.254	3.18+/-0.254	0.65+/-0.20	1.30+/-0.38	97.95
4-1879378-2	TLR3A20WR006FTDG	TLR 2512 2.0W R006 1% 75PPM 2K RL	6.35+/-0.254	3.18+/-0.254	0.32+/-0.20	1.30+/-0.38	41.76
4-1879378-3	TLR3A20WR007FTDG	TLR 2512 2.0W R007 1% 75PPM 2K RL	6.35+/-0.254	3.18+/-0.254	0.27+/-0.20	1.30+/-0.38	34.01
4-1879378-4	TLR3A20ER010FTDG	TLR 2512 2.0W R010 1% 100PPM 2K RL	6.35+/-0.254	3.18+/-0.254	0.25+/-0.20	1.30+/-0.38	25.97
4-1879378-5	TLR3A25DR004FTDG	TLR 2512 2.5W R004 1% 50PPM 2K RL	6.35+/-0.25	3.00+/-0.20	0.60+/-0.20	2.18+/-0.25	59.13
4-1879378-6	TLR3A25DR005FTDG	TLR 2512 2.5W R005 1% 50PPM 2K RL	6.35+/-0.25	3.00+/-0.20	0.60+/-0.20	1.93+/-0.25	59.13
4-1879378-7	TLR3A25DR006FTDG	TLR 2512 2.5W R006 1% 50PPM 2K RL	6.35+/-0.25	3.00+/-0.20	0.60+/-0.20	1.93+/-0.25	59.13
4-1879378-8	TLR3A30DR002FTDG20K	TLR3A 3.0W R002 1% 2K RL 20K MOD	6.35+/-0.25	3.00+/-0.20	0.60+/-0.20	1.18+/-0.25	59.13

THIS DRAWING IS A CONTROLLED DOCUMENT.

DWN PRASAD K 14SEP2011
 CHK A. PILE 14SEP2011
 APVD J. CATCHPOLE 14SEP2011

STE TE Connectivity

NAME SMD HIGH POWER - CURRENT SENSE RESISTORS, SERIES TLR - 3A

SIZE A2 CAGE CODE 00779 DRAWING NO C-1879378 RESTRICTED TO -

Customer Drawing SCALE 10:1 SHEET 1 OF 1 REV BA1

X-ON Electronics

Largest Supplier of Electrical and Electronic Components

Click to view similar products for [Thin Film Resistors - SMD category](#):

Click to view products by [TE Connectivity manufacturer](#):

Other Similar products are found below :

[7-2176089-6](#) [MCW0406MD1001DP500](#) [FCR1206J22R](#) [FCR1206J33R](#) [1-2176090-3](#) [1-2176089-6](#) [ERA-3EEB2742V](#)
[NCSR250F4M50DTRGF](#) [2176089-1](#) [2176090-4](#) [2176091-3](#) [CMB02070X3000GB200](#) [CPA2512Q6R80FS-T10](#) [4-1625868-7](#) [5-1625868-9](#) [5-18022-5](#) [ERA-3EEB2671V](#) [CFR0W4J0220A2P](#) [P1206Y1804FNTA](#) [CPA2512E68R0FS-T10](#) [CPA2512Q4R70FS-T10](#) [8-2176091-9](#) [2-2176091-0](#) [NCSR150FR003DTRT3F](#) [NTR06B5832CTRF](#) [NCSR200JR002DTRF](#) [RSJ372NL](#) [NRC-S12F4751TRF](#) [8-1625868-1](#) [1-2176092-4](#) [4-2176093-9](#) [2176091-9](#) [RT1220P-101-M](#) [PLTU0805U1003LST5](#) [PLTU0603U2001LST5](#) [PLTU0805U1001LST5](#) [PLTU0603U4702LST5](#)
[4-2176089-0](#) [8-2176091-0](#) [6-2176091-8](#) [3-2176090-3](#) [1-2176092-7](#) [7-2176092-6](#) [7-2176088-7](#) [PCNM2512E1502BST5](#) [2-2176094-5](#)
[PCNM2512E3012BST5](#) [4-2176092-6](#) [3-2176091-4](#) [8-2176091-5](#)