

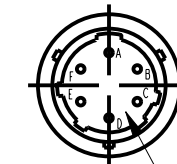
MICRO SWITCH
a Honeywell Division

FED. MFG. CODE 91929

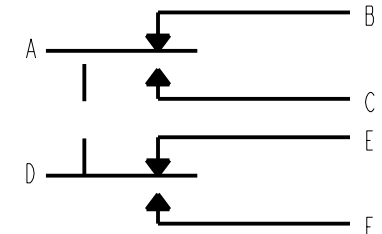
SWITCH - ENCLOSED

CATALOG LISTING

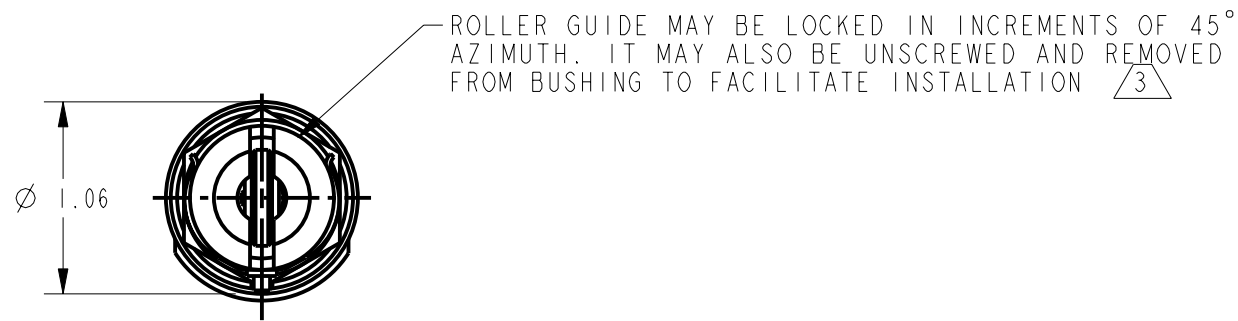
21HE23-RB



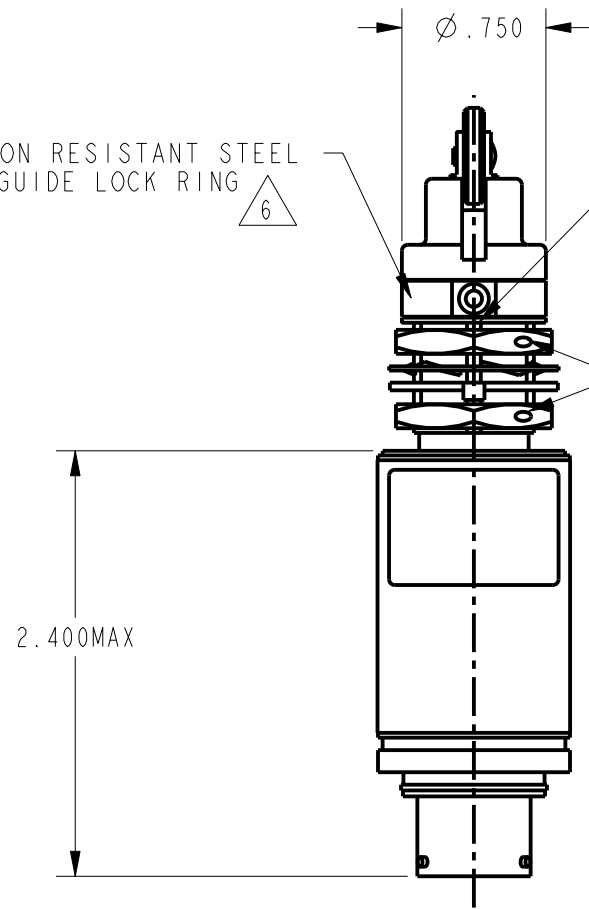
RECEPTACLE
DETAIL



CIRCUIT DIAGRAM

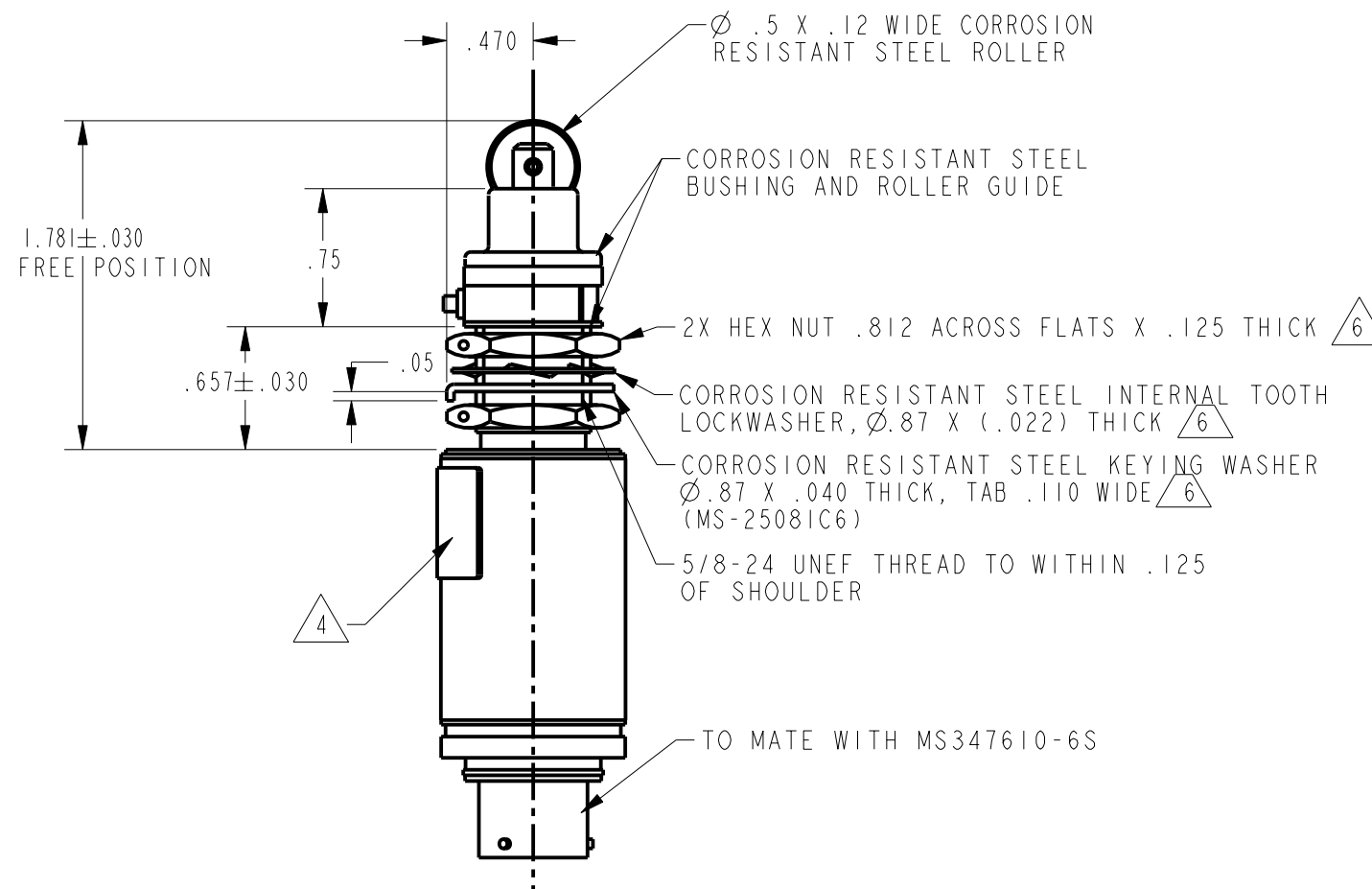


CORROSION RESISTANT STEEL
ROLLER GUIDE LOCK RING



.072±004 WIDE X .038±003
DEEP KEYWAY TO WITHIN .250
OF SHOULDER

∅.047 HOLE FOR
WIRE LOCKING



∅ .5 X .12 WIDE CORROSION
RESISTANT STEEL ROLLER

CORROSION RESISTANT STEEL
BUSHING AND ROLLER GUIDE

2X HEX NUT .812 ACROSS FLATS X .125 THICK

CORROSION RESISTANT STEEL INTERNAL TOOTH
LOCKWASHER, ∅.87 X (.022) THICK

CORROSION RESISTANT STEEL KEYING WASHER
∅.87 X .040 THICK, TAB .110 WIDE

5/8-24 UNEF THREAD TO WITHIN .125
OF SHOULDER

TO MATE WITH MS347610-6S

CATALOG LISTING

21HE23-RB

ISSUE

11

REVISIONS

A	CO-81044B	G J W	1 OCT 96
B	CO-94996	LJK	7 MAY 99

CHECK

07MAY99

CHECK

JAF

CHECK

07MAY99

PTC/CAD

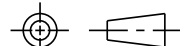
2D

DRAWN

LJK

THIS DRAWING COVERS A PROPRIETARY ITEM AND IS THE PROPERTY OF MICRO SWITCH, A DIVISION OF HONEYWELL. THIS DRAWING IS NOT TO BE COPIED OR USED WITHOUT THE APPROVAL OF MICRO SWITCH

THIRD ANGLE PROJECTION



CHARACTERISTICS

OPERATING FORCE	6-12 LB
DIFFERENTIAL FORCE	30 LB MAX
RELEASE FORCE	4 LB MIN
PRETRAVEL	.040 MAX
DIFFERENTIAL TRAVEL	.020 MAX
OVERTRAVEL	.250 MIN

ELECTRICAL DATA

CONTACT ARRANGEMENT 2X SPDT		
28 VDC		
LOAD	SEA LEVEL	100,000 FT.
RES	5	5
IND	3	3
MOTOR	4	4

SCALE FULL

DO NOT SCALE PRINT

UNLESS OTHERWISE SPECIFIED
TOLERANCES ARE

ONE PLACE	(.0)	±.030
TWO PLACE	(.00)	±.015
THREE PLACE	(.000)	±.005
ANGLES		±

WEIGHT

ANSI Y14.5M-1982 APPLIES

NOTES

- ENCLOSURE FINISHED WITH BLUE EPOXY BASED ENAMEL COLOR NO. 25184 PER FED. STD. 595
- SWITCH SEALED PER MIL-PRF-8805 SYMBOL 5
- TO ADJUST ROLLER DIRECTION, REMOVE ROLLER GUIDE LOCKRING, SCREW DOWN AS FAR AS POSSIBLE, THEN UNSCREW TO DESIRED DIRECTION. SECURE BY REPLACING ROLLER GUIDE LOCKRING
- CIRCUIT DIAGRAM AND CATALOG LISTING ARE SHOWN ON NAMEPLATE
- COINCIDENCE OF OPERATING AND RELEASE POINTS: .010 INCH OF PLUNGER TRAVEL
- HARDWARE MAY BE PACKAGED UNASSEMBLED PER MIL-PRF-8805 INTERFACIAL SEAL

X-ON Electronics

Largest Supplier of Electrical and Electronic Components

Click to view similar products for [Basic / Snap Action Switches](#) category:

Click to view products by [Honeywell](#) manufacturer:

Other Similar products are found below :

[83228001](#) [01.098.1358.1](#) [602EN1-6B](#) [602EN532](#) [602EN535-RB](#) [602HE5-RB1](#) [604HE162](#) [604HE223-6B](#) [624HE17-RB](#) [6HM89](#) [6PA78-JM](#)
[6SE1](#) [6SX1-H58](#) [70500840](#) [MBD5B1](#) [MBH2731](#) [73-316-0012](#) [79211759](#) [79211923](#) [79218589](#) [7AS12](#) [ML-1155](#) [ML-1376](#) [831010C3.0](#)
[831060C3.TL](#) [831090C2.EL](#) [83131904](#) [84212012](#) [8AS239](#) [8HM73-3](#) [903VB1-PG](#) [914CE1-6G](#) [PL-100](#) [11SM1077-H4](#) [11SM1077-H58](#)
[11SM1-TN107](#) [11SM405](#) [11SM703-T](#) [11SM8423-H2](#) [11SX37-T](#) [11SX48-H58](#) [11SX55-H58](#) [11SM2442-T](#) [11SM76-T](#) [11SM77-H58](#)
[11SM77-T](#) [11SM863-T](#) [11SM866](#) [11SX47-H58](#) [A7CN-1M-1-LEFT](#)