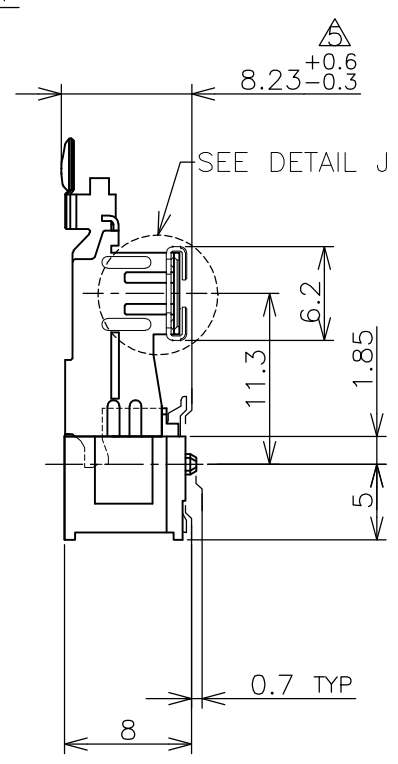
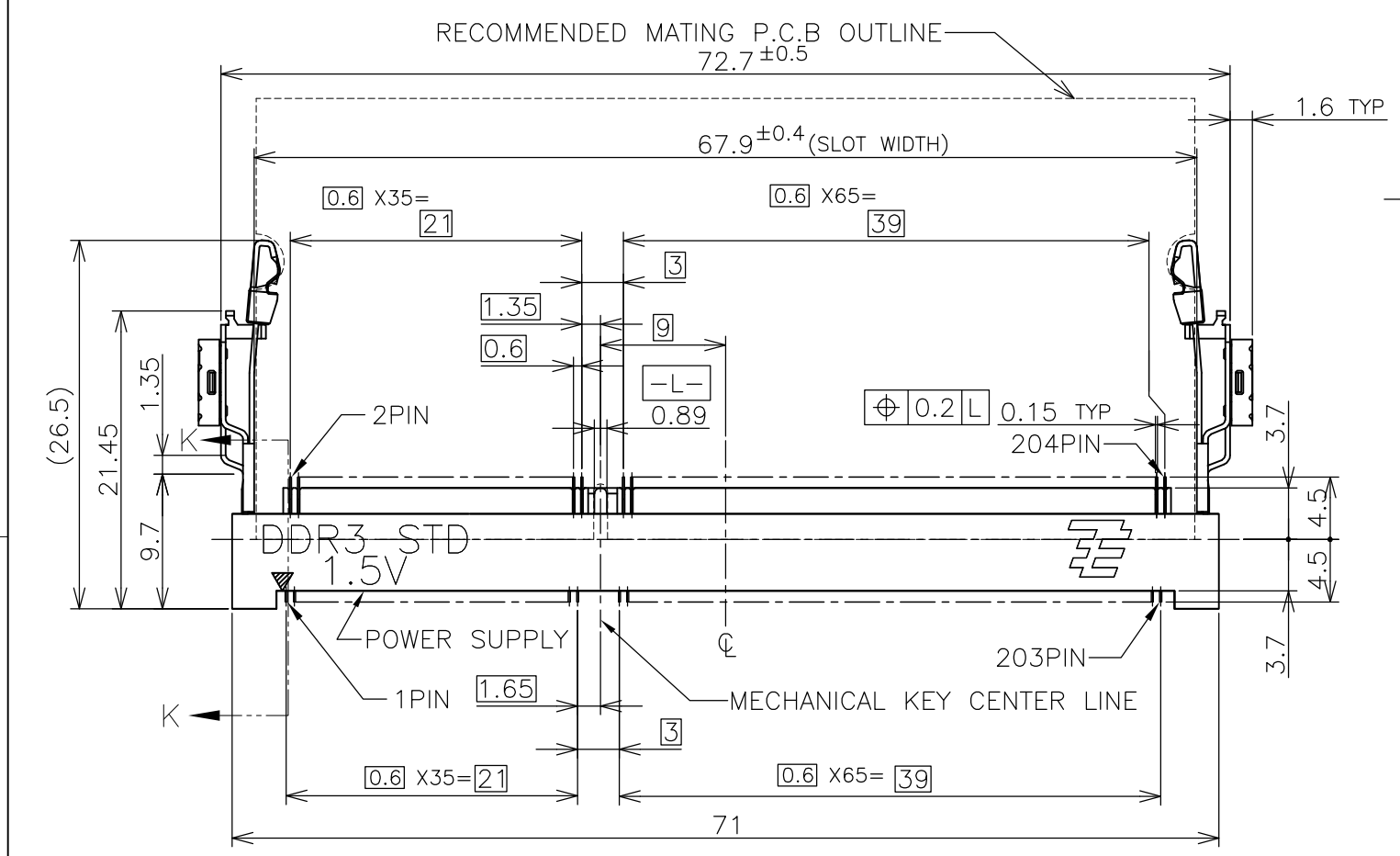
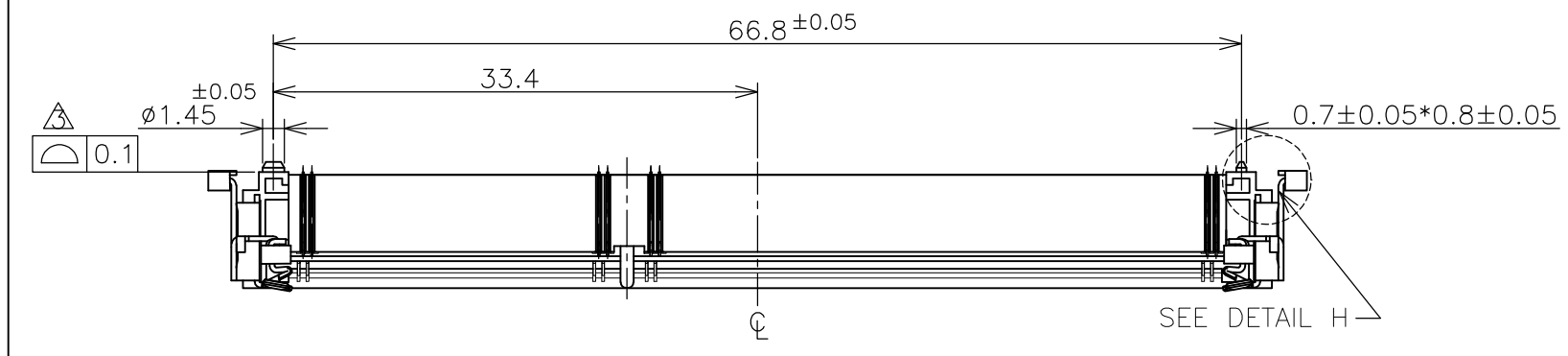
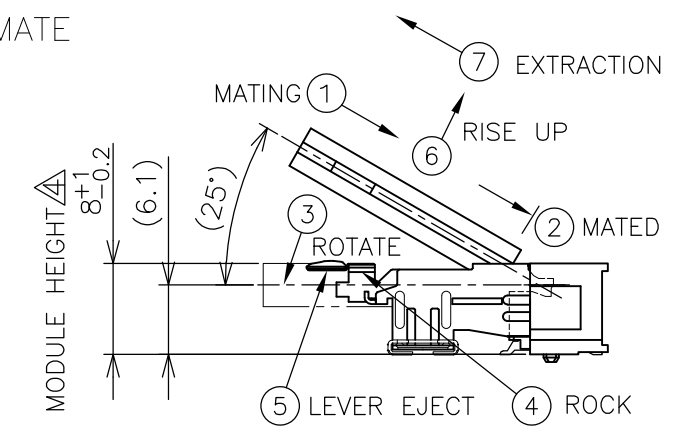
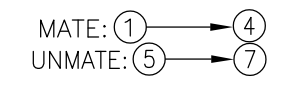


THIS DRAWING IS UNPUBLISHED. RELEASED FOR PUBLICATION SEP, 2007.  
 © COPYRIGHT 2007 By - ALL RIGHTS RESERVED.

| LOC | DIST | REVISIONS                 |           |     |      |
|-----|------|---------------------------|-----------|-----|------|
| P   | LTR  | DESCRIPTION               | DATE      | DWN | APVD |
| J   | /    |                           |           |     |      |
|     | D    | REVISED PER ECR-12-004002 | 01MAR2012 | W.W | C.W  |

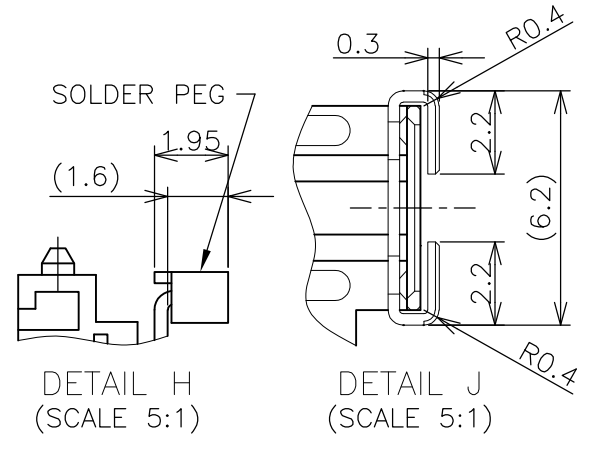
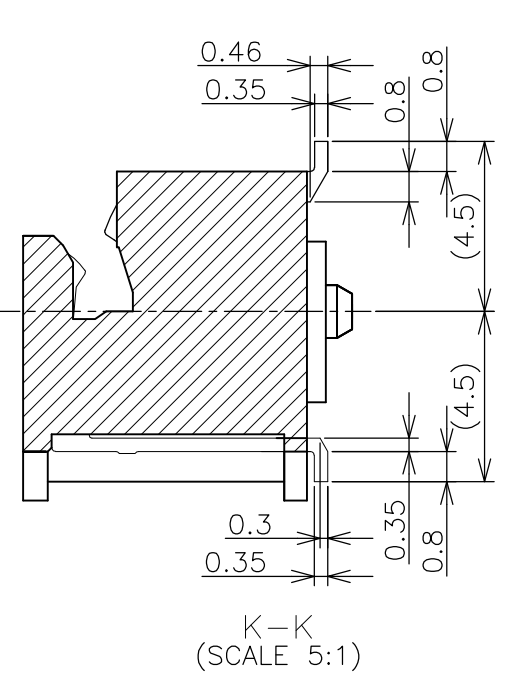


HOW TO MATE AND UNMATE



(APPLIED TO SHEET 1-3)

- MATERIAL ; HOUSING: HIGH TEMPERATURE THERMO PLASTIC UL94V-0  
 COLOR: SEE TABLE  
 CONTACT: COPPER ARROY  
 LOCK LEVER: STAINLESS STEEL  
 PEG: COPPER ARROY
  - 2-1. FINISH ; CONTACT AREA: GOLD FLASH  
 ALL OVER NICKEL.  
 SOLDERING AREA: GOLD FLASH PLATING  
 PEG: TIN PLATING
  - 2-2. FINISH ; CONTACT AREA: 0.000254MIN GOLD  
 ALL OVER NICKEL.  
 SOLDERING AREA: GOLD FLASH PLATING  
 PEG: TIN PLATING
  - 2-3. FINISH ; CONTACT AREA: 0.00076MIN GOLD  
 ALL OVER NICKEL.  
 SOLDERING AREA: GOLD FLASH PLATING  
 PEG: TIN PLATING
- ▲ COPLANARITY: 0.1 MAX. (BEFORE SOLDERING)  
 ▲ THE FLOATING VALUE BY SOLDERING IS NOT INCLUDED.  
 ▲ NOT MATING CONDITION.
6. IF THE MODULE DOESN'T INSERT AND LOCK IN THE LATCH SMOOTHLY, OPEN WIDE BOTH LATCHES BY MANUAL. AND THE MODULE MUST BE INSERTED AND LOCKED IN THE LATCH.




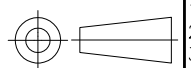
GENERAL TOLERANCE  
 10 ≥ ±0.2  
 30 ≥ >10: ±0.25  
 100 ≥ >30: ±0.3  
 ANGLES: ±3°

|  |  |   |                 |  |  |
|--|--|---|-----------------|--|--|
| THIS DRAWING IS A CONTROLLED DOCUMENT. |  | DWN T.FUMIKURA 18SEP2007                      | TE Connectivity |  |  |
| DIMENSIONS: MM                         |  | CHK K.IKEGAMI 18SEP2007                       |                 |  |  |
| TOLERANCES UNLESS OTHERWISE SPECIFIED: |  | APVD K.IKEGAMI 18SEP2007                      | NAME            |  |  |
| 0 PLC ±                                |  | 108-78493                                     |                 |  |  |
| 1 PLC ±                                |  | APPLICATION SPEC                              |                 |  |  |
| 2 PLC ±                                |  | SIZE CAGE CODE DRAWING NO RESTRICTED TO       |                 |  |  |
| 3 PLC ±                                |  | A300779 C-2013297                             |                 |  |  |
| 4 PLC ±                                |  | WEIGHT 5.8g                                   |                 |  |  |
| ANGLES ±                               |  | CUSTOMER DRAWING SCALE 2:1 SHEET 1 OF 6 REV D |                 |  |  |
| FINISH ±                               |  |   |                 |  |  |

THIS DRAWING IS UNPUBLISHED. RELEASED FOR PUBLICATION SEP ,2007.  
 © COPYRIGHT 2007 By - ALL RIGHTS RESERVED.

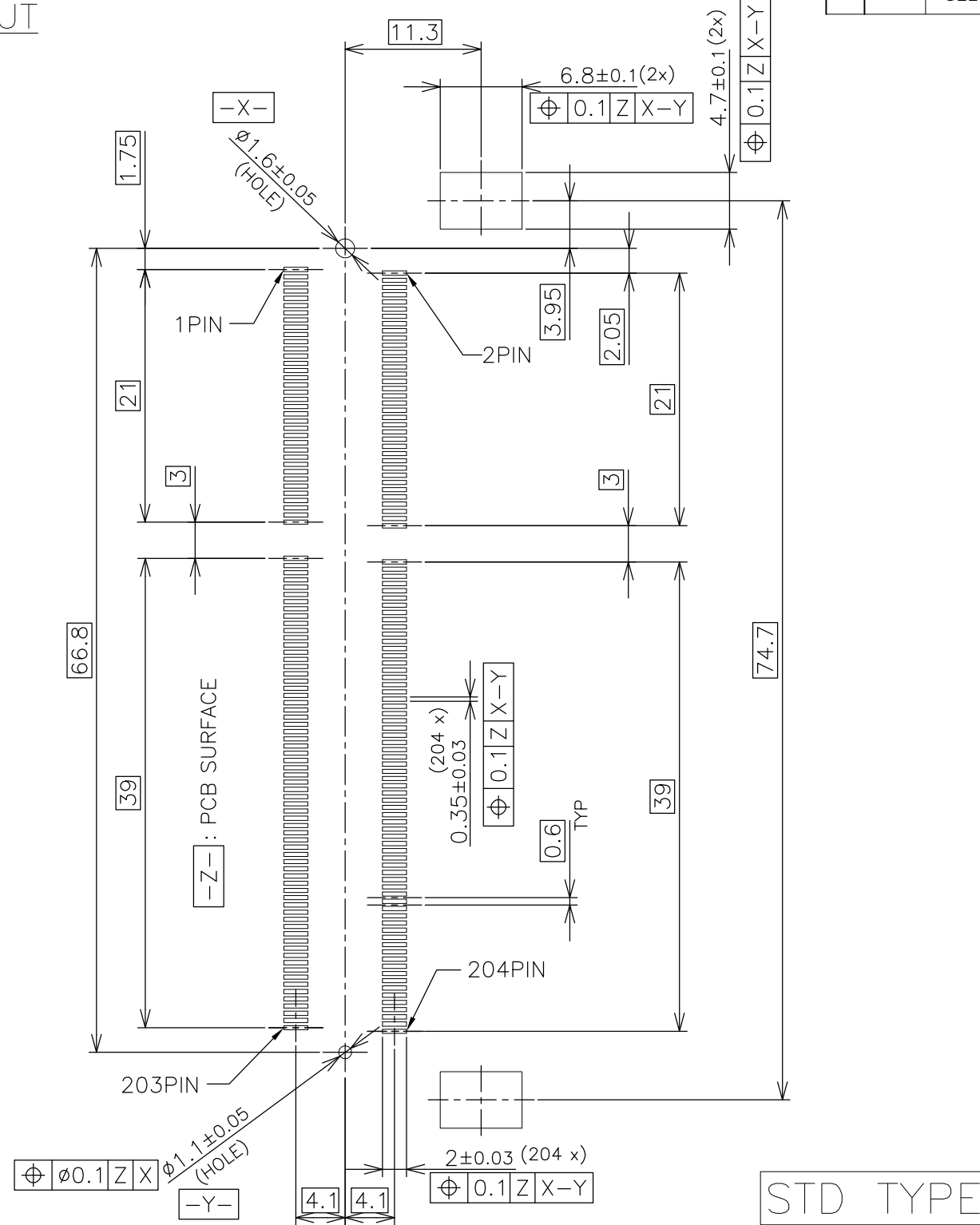
| LOC |     | DIST        |  | REVISIONS |      |     |      |  |
|-----|-----|-------------|--|-----------|------|-----|------|--|
| P   | LTR | DESCRIPTION |  |           | DATE | DWN | APVD |  |
|     | -   | SEE SHEET 1 |  |           | -    | -   | -    |  |

| TOOLING STATUS | PACAGKING TYPE               | BOSS TYPE | HOUSING COLOR | FINISH   | POWER SUPPLY | POS | PART NO.    |
|----------------|------------------------------|-----------|---------------|----------|--------------|-----|-------------|
| AVAILABLE      | ENBOSS (SEE SHEET 6)         | WITH BOSS | BLACK         | NOTE 2-3 | 1.5V         | 204 | 2-2013297-3 |
| AVAILABLE      | ENBOSS (SEE SHEET 6)         | WITH BOSS | BLACK         | NOTE 2-2 | 1.5V         | 204 | 2-2013297-2 |
| AVAILABLE      | ENBOSS (SEE SHEET 6)         | WITH BOSS | BLACK         | NOTE 2-1 | 1.5V         | 204 | 2-2013297-1 |
| AVAILABLE      | SEMI-HARD TRAY (SEE SHEET 5) | WITH BOSS | BLACK         | NOTE 2-3 | 1.5V         | 204 | 2013297-3   |
| AVAILABLE      | SEMI-HARD TRAY (SEE SHEET 5) | WITH BOSS | BLACK         | NOTE 2-2 | 1.5V         | 204 | 2013297-2   |
| AVAILABLE      | SEMI-HARD TRAY (SEE SHEET 5) | WITH BOSS | BLACK         | NOTE 2-1 | 1.5V         | 204 | 2013297-1   |

|   |  |   |  |  |  |   |  |
|---|--|---|--|--|--|---|--|
| THIS DRAWING IS A CONTROLLED DOCUMENT.  |  | DWN   |  |  <b>TE Connectivity</b> |  |   |  |
| DIMENSIONS: MM  |  | CHK   |  |  |  |   |  |
|  |  | TOLERANCES UNLESS OTHERWISE SPECIFIED:<br>0 PLC ±<br>1 PLC ±<br>2 PLC ±<br>3 PLC ±<br>4 PLC ±<br>ANGLES ± |  | NAME<br>DDR3 SODIMM SOCKET<br>0.6mm PITCH 204POS<br>8.0mm HEIGHT STANDARD TYPE                               |  |   |  |
| MATERIAL  |  | FINISH  |  | PRODUCT SPEC   |  | APVD  |  |
|   |  |   |  | APPLICATION SPEC   |  | RESTRICTED TO                                   |  |
|   |  |   |  | WEIGHT   |  | SIZE: A3 CAGE CODE: 00779 DRAWING NO: C-2013297 |  |
| CUSTOMER DRAWING  |  |   |  | SCALE: 2:1   |  | SHEET: 2 of 6 REV: D                            |  |

| LOC | DIST | REVISIONS   |             |     |      |
|-----|------|-------------|-------------|-----|------|
| P   | LTR  | DESCRIPTION | DATE        | DWN | APVD |
| J   | /    | -           | SEE SHEET 1 | -   | -    |

REFERENCE P.C.BOARD PATTERN LAYOUT  
(CONNECTOR MOUNTING SIDE)



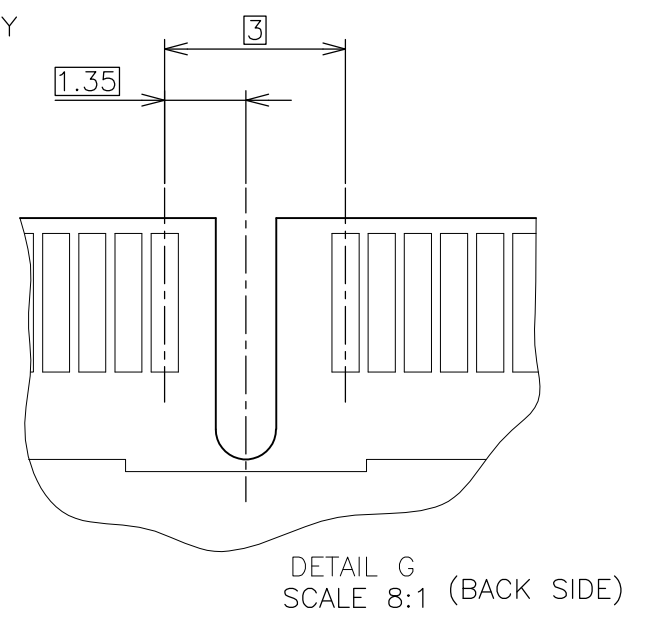
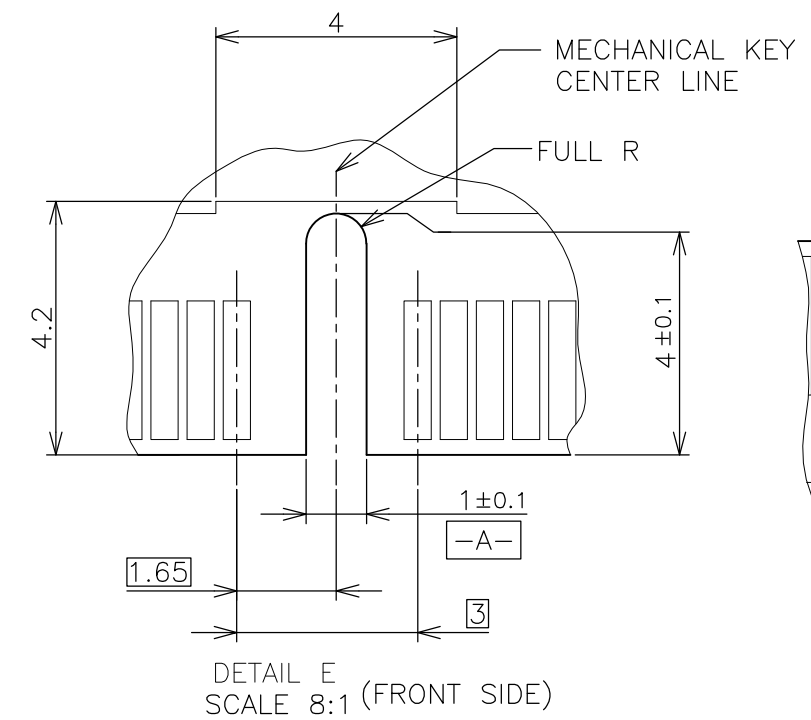
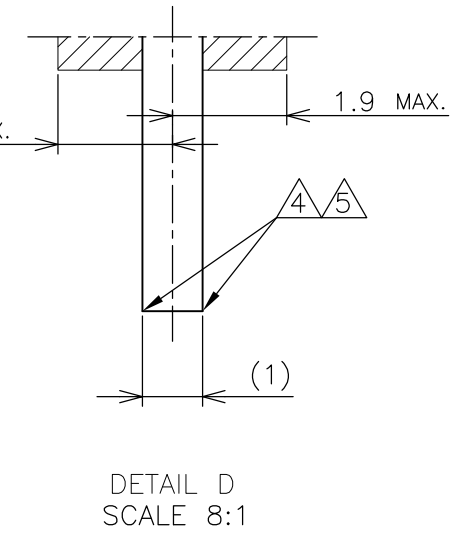
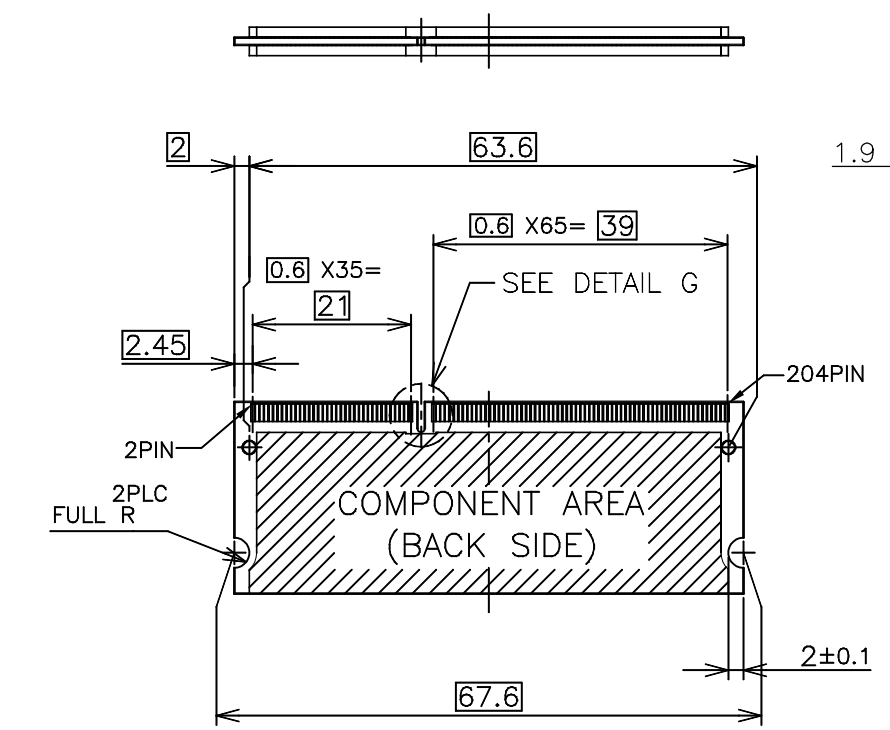
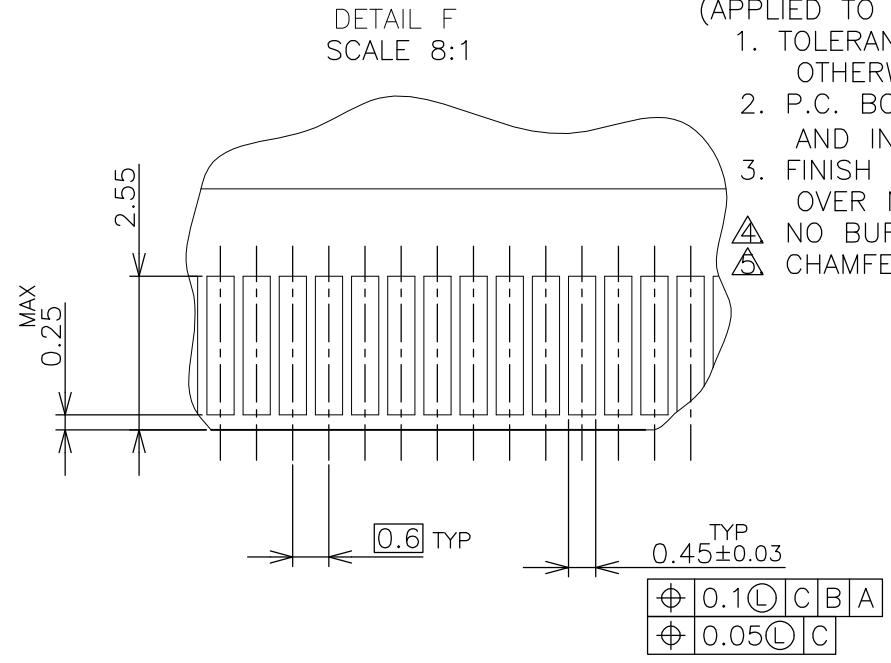
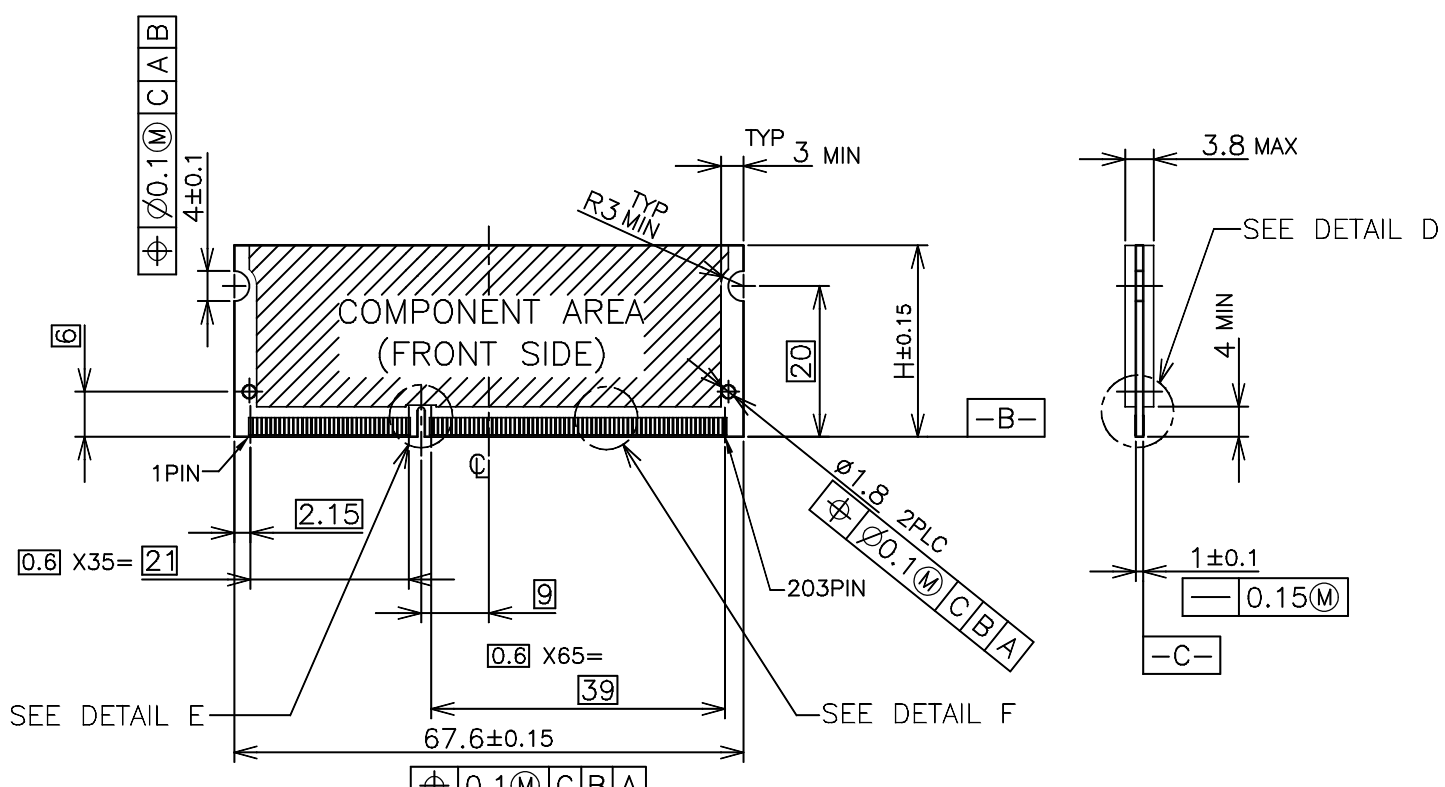
|  |  |                  |  |  |               |
|--|--|------------------|--|--|---------------|
| THIS DRAWING IS A CONTROLLED DOCUMENT. |  | DWN              |  | TE Connectivity  |               |
| DIMENSIONS: MM                         |  | CHK              |  |  |               |
|  |  | APVD             |  | NAME   |               |
|  |  | PRODUCT SPEC     |  | DDR3 SODIMM SOCKET<br>0.6mm PITCH 204POS<br>8.0mm HEIGHT STANDARD TYPE |               |
| MATERIAL                               |  | APPLICATION SPEC |  | SIZE   | RESTRICTED TO |
| FINISH                                 |  | WEIGHT           |  | A300779  | C-2013297     |
|  |  | CUSTOMER DRAWING |  | SCALE 2:1  | SHEET 3 of 6  |

THIS DRAWING IS UNPUBLISHED. RELEASED FOR PUBLICATION SEP. 2007.  
 © COPYRIGHT 2007 By - ALL RIGHTS RESERVED.

| LOC | DIST | REVISIONS |     |             |      |     |      |
|-----|------|-----------|-----|-------------|------|-----|------|
|     |      | P         | LTR | DESCRIPTION | DATE | DWN | APVD |
| J   | /    | -         | -   | SEE SHEET 1 | -    | -   | -    |

# REFERENCE MATING P.C.B CONFIGURATION

- (APPLIED TO SHEET 4)
- TOLERANCES ON ALL DIMENSIONS ±0.15 UNLESS OTHERWISE SPECIFIED.
  - P.C. BOARD THICKNESS APPLIES ACROSS TABS AND INCLUDES PLATING AND/OR METALIZATION.
  - FINISH OF PAD : GOLD PLATING 0.00076 MIN. OVER Ni PLATING 0.002MIN.  
 ▲ NO BURR  
 ▲ CHAMFER 0.25 MAX x 45° IF EXIST.



|       |                  |
|-------|------------------|
| 30    | CA               |
| 31.75 | BA               |
| 25.4  | AA               |
| H     | SDRAM VARIATIONS |

|  |  |              |   |      |           |            |               |
|--|--|--------------|---|------|-----------|------------|---------------|
| THIS DRAWING IS A CONTROLLED DOCUMENT.   |  | DWN          | TE Connectivity<br>NAME: DDR3 SODIMM SOCKET<br>0.6mm PITCH 204POS<br>8.0mm HEIGHT STANDARD TYPE |      |           |            |               |
| DIMENSIONS: MM   |  | CHK          |   |      |           |            |               |
| TOLERANCES UNLESS OTHERWISE SPECIFIED:   |  | APVD         |   |      |           |            |               |
| 0 PLC ±<br>1 PLC ±<br>2 PLC ±<br>3 PLC ±<br>4 PLC ±<br>ANGLES ±<br>MATERIAL FINISH ± |  | PRODUCT SPEC |   |      |           |            |               |
| MATERIAL   |  | APVD         | APPLICATION SPEC  | SIZE | CAGE CODE | DRAWING NO | RESTRICTED TO |
|  |  | WEIGHT       | A300779   |      | C-2013297 |            |               |
| CUSTOMER DRAWING   |  |              | SCALE   | 2:1  | SHEET     | 4 OF 6     | REV           |
|  |  |              |   |      | D         |            |               |

4

3

2

1

THIS DRAWING IS UNPUBLISHED.

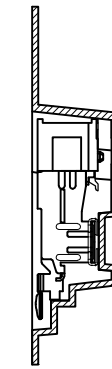
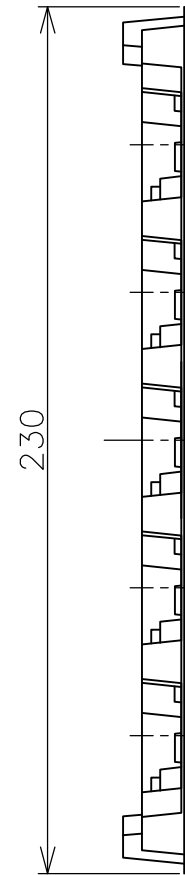
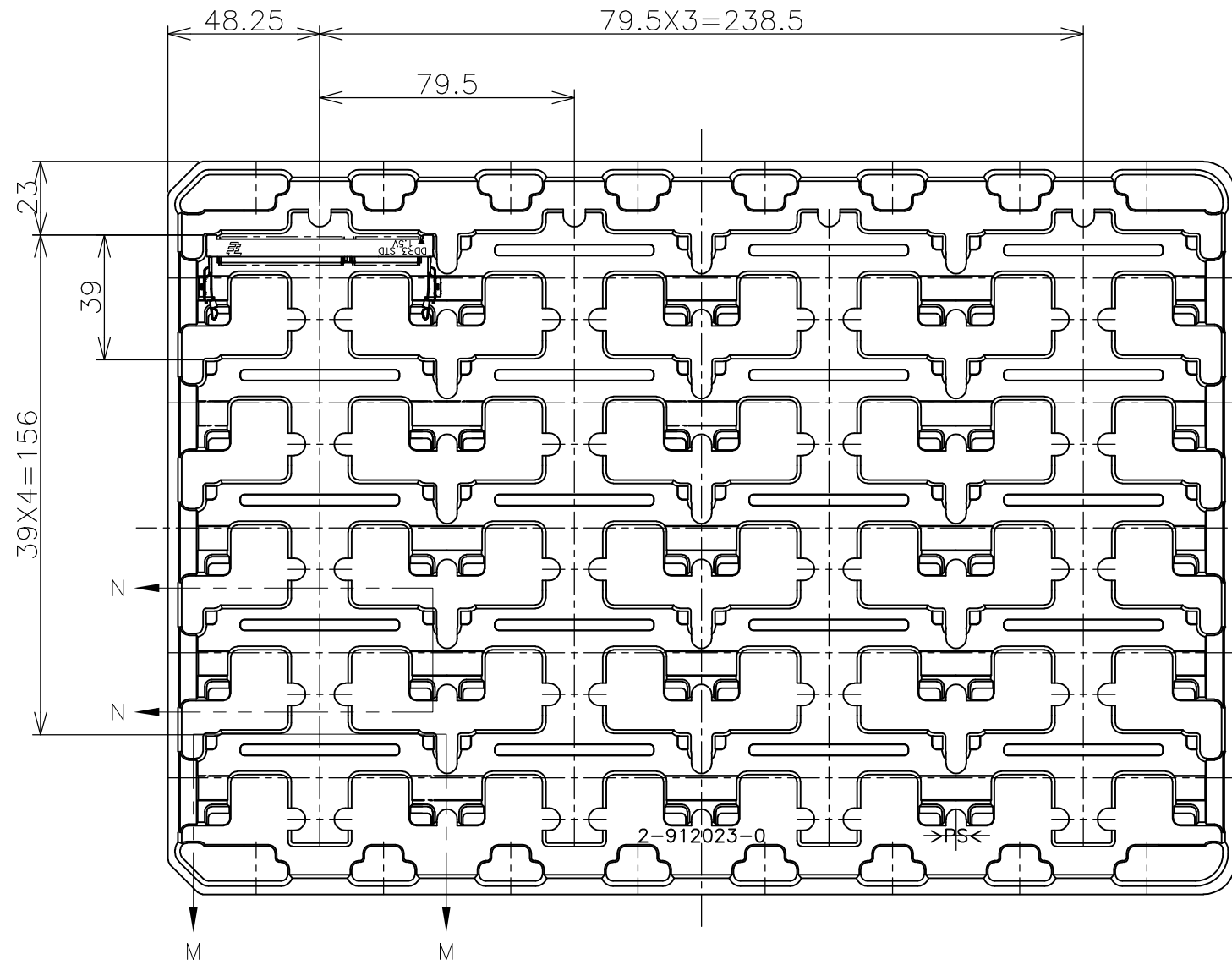
RELEASED FOR PUBLICATION SEP ,2007.

© COPYRIGHT 2007 By -

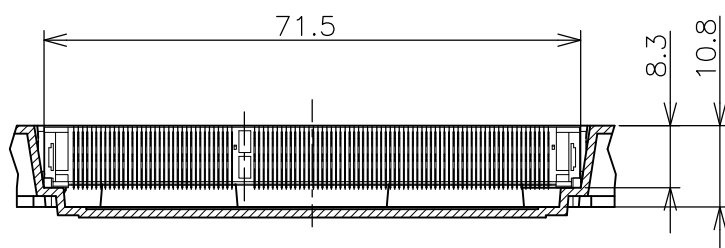
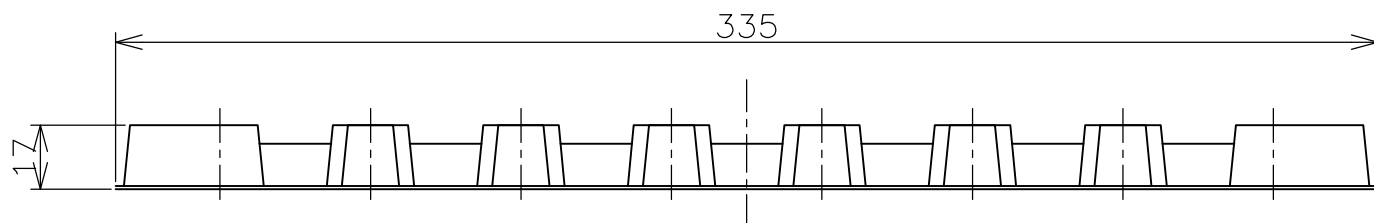
ALL RIGHTS RESERVED.

| LOC | DIST | REVISIONS   |      |     |      |
|-----|------|-------------|------|-----|------|
| P   | LTR  | DESCRIPTION | DATE | DWN | APVD |
| -   | -    | SEE SHEET 1 | -    | -   | -    |

- (APPLIED TO SHEET 5)
1. THE DIRECTION OF EACH CONNECTOR ON A TRAY IS REFERRED TO THIS DRAWING.
  2. GENERAL TOLERANCE:  $\pm 0.5$ ,  $\pm 3^\circ$



N-N  
SCALE 1:1



M-M  
SCALE 1:1  
(180DEG. ROTATE)

THIS DRAWING IS A CONTROLLED DOCUMENT.

|                   |  |
|-------------------|--|
| DIMENSIONS:<br>MM | TOLERANCES UNLESS OTHERWISE SPECIFIED: |
|                   | 0 PLC $\pm 0.5$                        |
|                   | 1 PLC $\pm 0.5$                        |
|                   | 2 PLC $\pm 0.5$                        |
|                   | 3 PLC $\pm 0.5$                        |
|                   | 4 PLC $\pm 0.5$                        |
|                   | ANGLES $\pm 3^\circ$                   |
| MATERIAL          | FINISH                                 |

|                  |
|------------------|
| DWN              |
| CHK              |
| APVD             |
| PRODUCT SPEC     |
| APPLICATION SPEC |
| WEIGHT           |
| CUSTOMER DRAWING |

|  |                  |              |
|--|------------------|--------------|
| 200EA<br>QTY/BOX   | 20EA<br>QTY/TRAY | *-2013297-*  |
|  |                  | PART NO.     |
| <b>STE</b> TE Connectivity   |                  |              |
| NAME<br>DDR3 SODIMM SOCKET<br>0.6mm PITCH 204POS<br>8.0mm HEIGHT STANDARD TYPE |                  |              |
| SIZE   | CAGE CODE        | DRAWING NO   |
| A3   | 00779            | C-2013297    |
| SCALE 1:2  |                  | SHEET 5 of 6 |
|  |                  | REV D        |

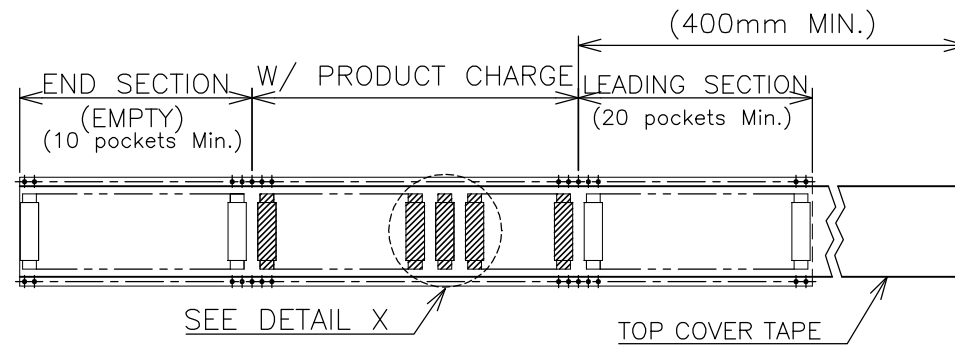
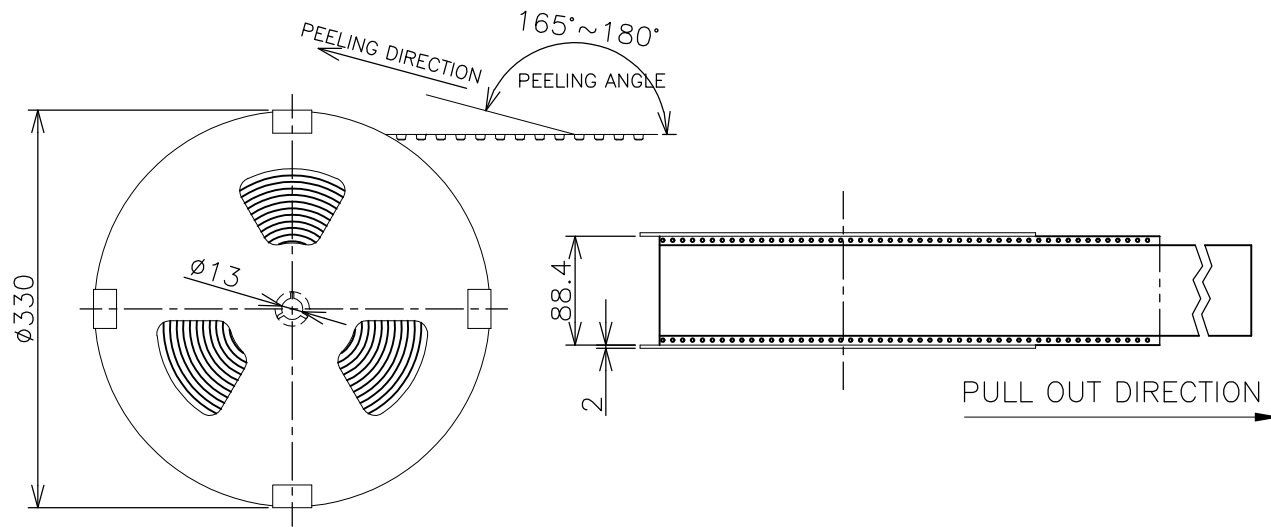
THIS DRAWING IS UNPUBLISHED.

RELEASED FOR PUBLICATION SEP ,2007.

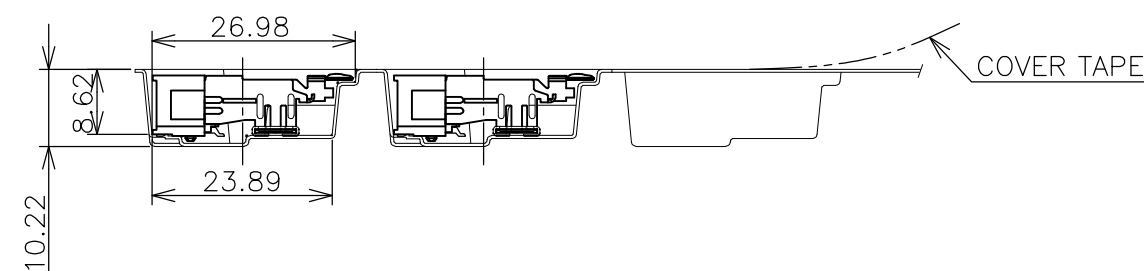
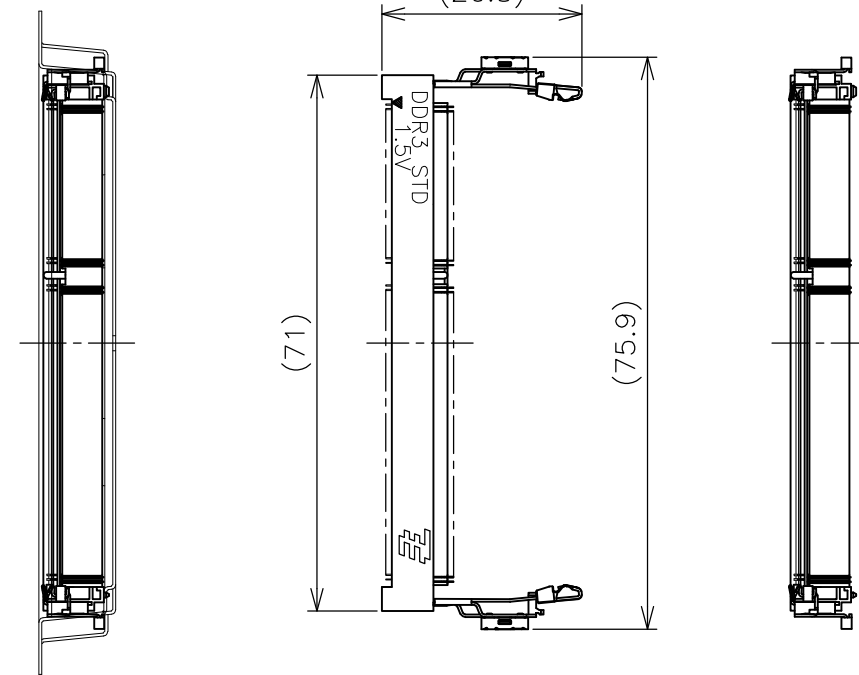
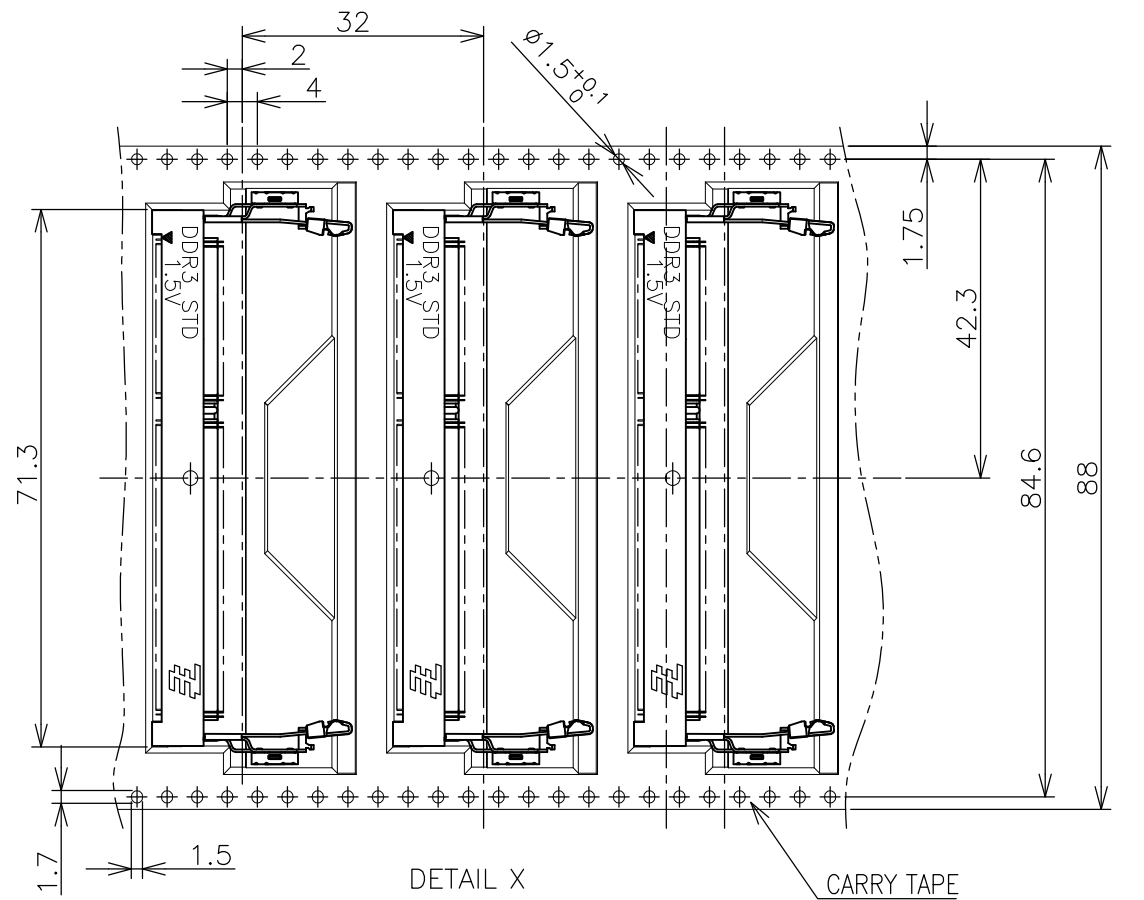
© COPYRIGHT 2007 By -


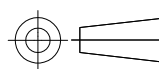
ALL RIGHTS RESERVED.

| LOC | DIST | REVISIONS   |             |     |      |
|-----|------|-------------|-------------|-----|------|
| P   | LTR  | DESCRIPTION | DATE        | DWN | APVD |
| J   | /    | -           | SEE SHEET 1 | -   | -    |



- (APPLIED TO SHEET 6)
1. THE DIRECTION OF EACH CONNECTOR ON A EMBOSS IS REFERRED TO THIS DRAWING.
  2. GENERAL TOLERANCE:  $\pm 0.5$ ,  $\pm 3'$



|  |  |                  |  |           |            |               |  |
|--|--|------------------|--|-----------|------------|---------------|--|
| THIS DRAWING IS A CONTROLLED DOCUMENT.   |  | DWN              | 150EA  |           |            | *- 2013297 -* |  |
| DIMENSIONS: MM   |  | CHK              | QTY/REEL   |           |            | PART NO.      |  |
| TOLERANCES UNLESS OTHERWISE SPECIFIED:   |  | APVD             |  <b>TE Connectivity</b> |           |            |               |  |
| 0 PLC $\pm 0.5$<br>1 PLC $\pm 0.5$<br>2 PLC $\pm 0.5$<br>3 PLC $\pm 0.5$<br>4 PLC $\pm 0.5$<br>ANGLES $\pm 3'$ |  | PRODUCT SPEC     |  |           |            |               |  |
| MATERIAL   |  | FINISH           | NAME<br>DDR3 SODIMM SOCKET<br>0.6mm PITCH 204POS<br>8.0mm HEIGHT STANDARD TYPE                               |           |            |               |  |
|                           |  | WEIGHT           | SIZE   | CAGE CODE | DRAWING NO | RESTRICTED TO |  |
|  |  | CUSTOMER DRAWING | A3   | 00779     | C-2013297  | -             |  |
|  |  | SCALE            | SHEET  |           | REV        |               |  |
|  |  | 1:1              | 6 of 6   |           | D          |               |  |

## X-ON Electronics

Largest Supplier of Electrical and Electronic Components

*Click to view similar products for [DIMM Connectors](#) category:*

*Click to view products by [TE Connectivity](#) manufacturer:*

Other Similar products are found below :

[1-1932649-2](#) [1-1761024-0](#) [2309411-5](#) [1932180-2](#) [0783590111](#) [0783590001](#) [0877051053](#) [10079248-11103LF](#) [10086891-052TSLF](#)  
[10116658-252ASLF](#) [59355-052FSLF](#) [5390471-1](#) [10074146-13211LF](#) [10079248-10202LF](#) [2309407-3](#) [10033853-052ASLF](#) [87782-6003](#) [KIT-](#)  
[SODIMM-1X16GB/01](#) [0780350001](#) [0878030012](#) [75.963AT.G020C](#) [78.B1GDE.AF1](#) [10078239-11103LF](#) [6-390322-1](#) [2013311-1](#) [2309410-1](#)  
[10116658-052FSLF](#) [10116658-152FSLF](#) [1-1735438-3](#) [78730-1002](#) [78726-1002](#) [2013310-1](#) [390111-1](#) [1735438-3](#) [78373-0011](#) [2308107-1](#) [2-](#)  
[2308107-1](#) [2309411-1](#) [5-1746530-4](#) [2309408-1](#) [2309409-1](#) [2309412-1](#) [151134-0001](#) [2309413-1](#) [296406200001856+](#) [2309407-1](#) [FCN-](#)  
[074J240-G/1D](#) [FCN-074B288-G/2D](#) [2309414-1](#) [10081530-12208LF](#)