

## G1XXMF SERIES

# IP65 and IP67 DIE-CAST ALUMINUM ENCLOSURES WITH MOUNTING FLANGE

ETC IP65  
CERTIFIED

ETC IP67  
CERTIFIED



## PRODUCT INFORMATION

- Material: aluminium Alloy ADC-12 to JAPAN (JIS)
- Finish: Natural aluminium color.
- Designed to meet IP65, IP67 through the use of EPDM gasket with the universal tongue and groove seal system.
- Wall mounting holes and lid fixing screws are outside the sealing area for real sealing protection.
- Mounting Flange is designed on the bottom of the base, so the base can be mounted with M5 pan head machine screws on the wall easily.

LIGHT GREY(LG), BLACK(BK) OF POWDER COATED ALUMINIUM ENCLOSURES ARE AVAILABLE FOR ORDERING .  
JUST NEED TO ADD THE COLOR CODE AFTER THE ITEM NO.  
Ex: G102MFLG, G125MFBK



G111MFLG



G113MFBK



G104MF



G104MF-IP67

**IP65 RATING**

(with non-continuous gasket)

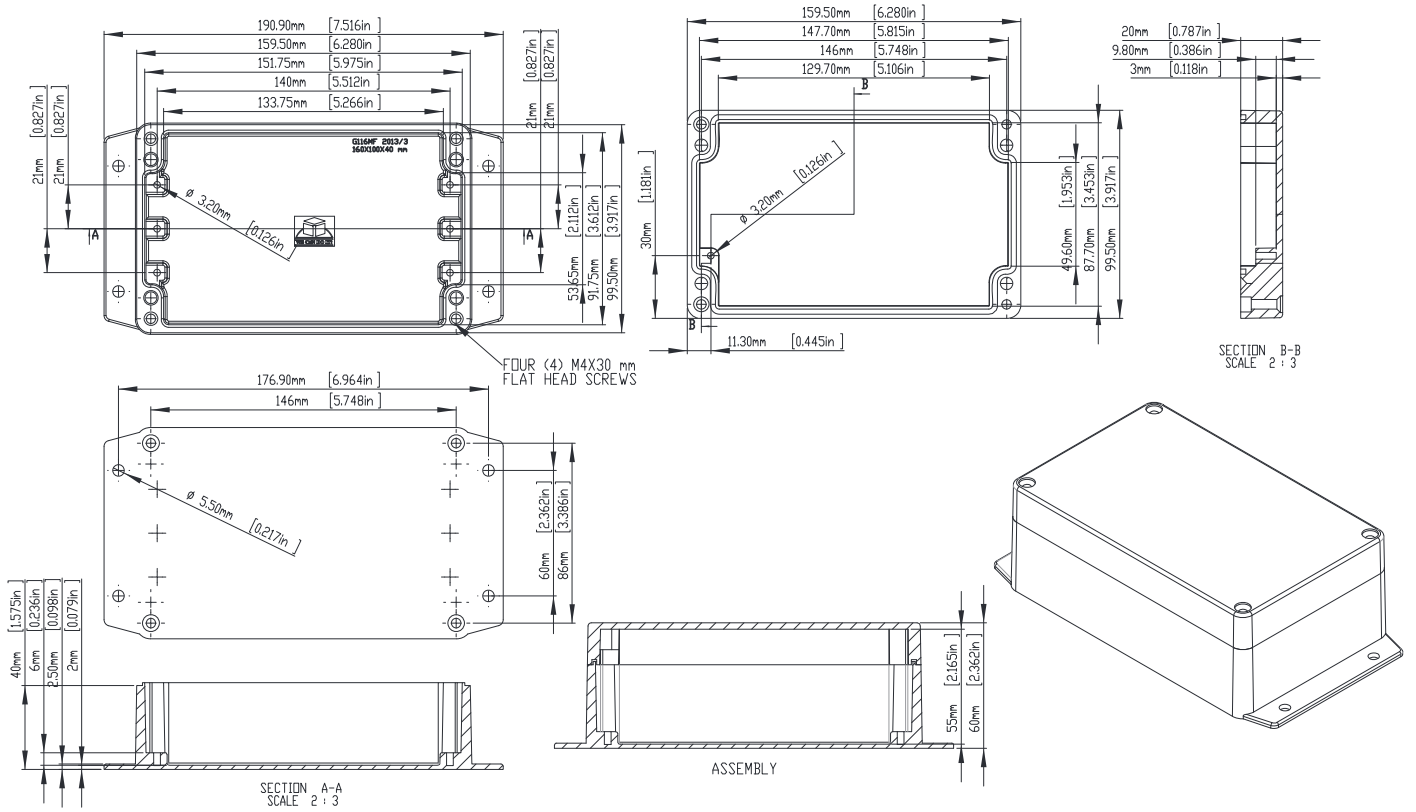
ITEM No.	EXTERNAL DIMENSION(mm)
<b>G102MF</b>	90 x 36 x 30
<b>G104MF</b>	64 x 58 x 35
<b>G106MF</b>	115 x 65 x 30
<b>G107MF</b>	125 x 80 x 40
<b>G108MF</b>	125 x 80 x 57
<b>G111MF</b>	115 x 65 x 55
<b>G113MF</b>	115 x 90 x 55
<b>G115MF</b>	148 x 108 x 75
<b>G116MF</b>	160 x 100 x 60
<b>G117MF</b>	160 x 100 x 81
<b>G120MF</b>	171 x 121 x 55
<b>G123MF</b>	200 x 120 x 75
<b>G124MF</b>	222 x 146 x 55
<b>G125MF</b>	222 x 146 x 82

**IP67 RATING**

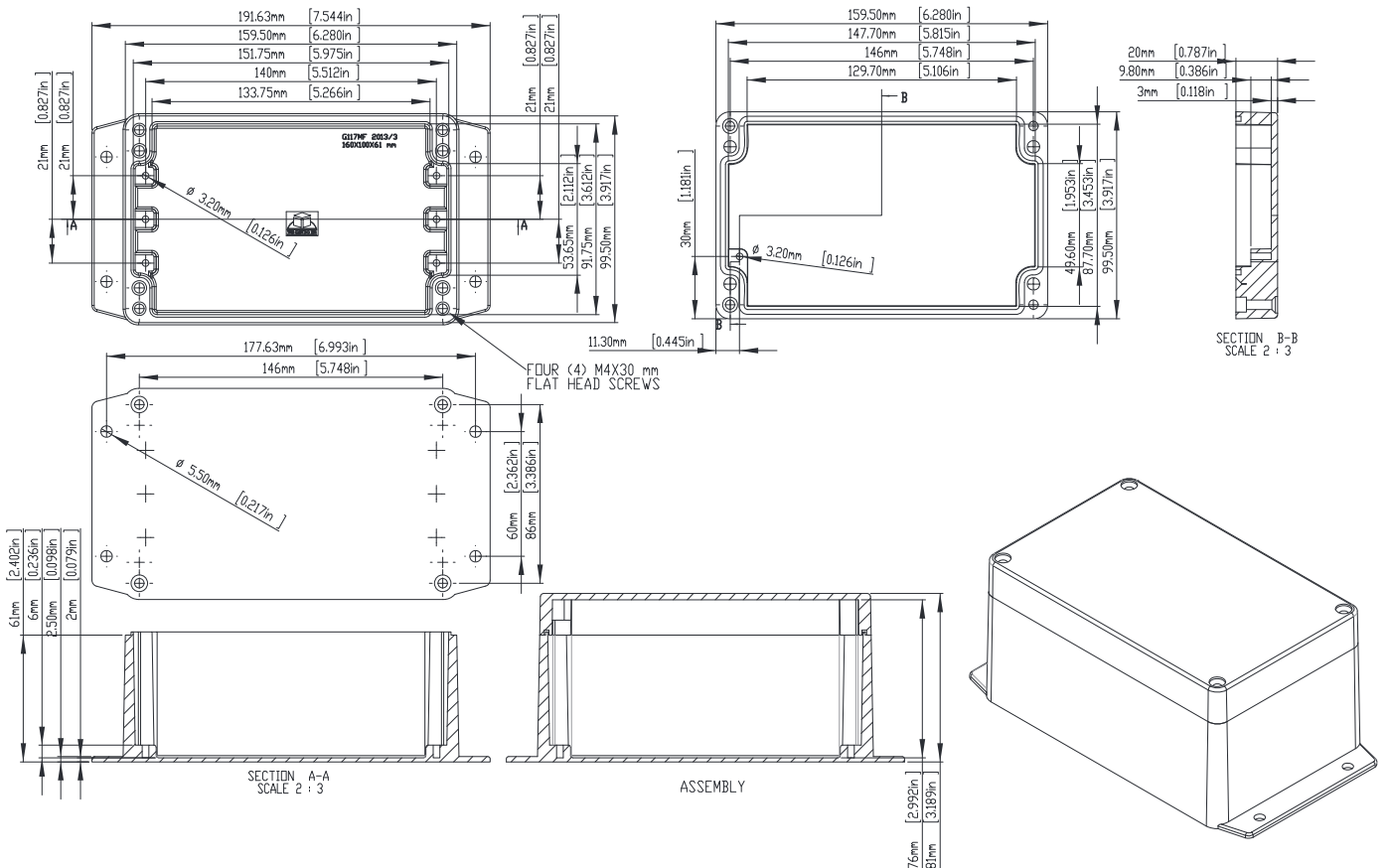
(with continuous seal)

ITEM No.	EXTERNAL DIMENSION(mm)
<b>G102MF-IP67</b>	90 x 36 x 30
<b>G104MF-IP67</b>	64 x 58 x 35
<b>G106MF-IP67</b>	115 x 65 x 30
<b>G107MF-IP67</b>	125 x 80 x 40
<b>G108MF-IP67</b>	125 x 80 x 57
<b>G111MF-IP67</b>	115 x 65 x 55
<b>G113MF-IP67</b>	115 x 90 x 55
<b>G115MF-IP67</b>	148 x 108 x 75
<b>G116MF-IP67</b>	160 x 100 x 60
<b>G117MF-IP67</b>	160 x 100 x 81
<b>G120MF-IP67</b>	171 x 121 x 55
<b>G123MF-IP67</b>	200 x 120 x 75
<b>G124MF-IP67</b>	222 x 146 x 55
<b>G125MF-IP67</b>	222 x 146 x 82

# G116MF



# G117MF



## X-ON Electronics

Largest Supplier of Electrical and Electronic Components

*Click to view similar products for [Enclosures, Boxes, & Cases](#) category:*

*Click to view products by [Gainta](#) manufacturer:*

Other Similar products are found below :

[CR-425 PAINTED](#) [585-R-WH-PK](#) [M-10-PLATED](#) [60221-01](#) [60566-01-000](#) [HPL-9VB BATT DOOR](#) [M-16-LID-PLATED](#) [M18-PLTD](#) [M-21-LID-PLATED](#) [M-21-PLATED](#) [M-23-PLATED](#) [CU-281-MB](#) [6711GSKT](#) [71884-29-028](#) [LH45-100 Black](#) [7200B](#) [72868-510-000](#) [CNS-0000 Black](#) [72883-510-000](#) [CNS-0101 Black](#) [72906-510-000](#) [CNS-0407 Black](#) [73091-510-000](#) [CNM-0000-BLACK Kit](#) [73092-510-000](#) [CNM-0101 Black](#) [73108-510-000](#) [CNL-0303 Black](#) [73395-510-039](#) [CNS-0006 Bone](#) [74257-510-000](#) [CNL-0004](#) [MDC-1183-PLAIN-ALUM](#) [MDC-1183-PTD](#) [MDC-13104-PLAIN-ALUM](#) [MDC-211 - PAINTED IVORY/BEIGE](#) [MDC-321-PTD](#) [MDC-432-PLAIN-ALUM](#) [MDC-973-PTD](#) [76](#) [77153-01-028](#) [FLX6030](#) [83535-01-508](#) [PS-11296-G](#) [PS-11298-B](#) [116-508](#) [120-407](#) [120-412](#) [120-909](#) [120-455](#) [R272-100-000](#) [120-910](#) [R501-001-010](#) [R508-080-000](#) [R508-160-000](#) [R530-120-000](#) [R530-122-000](#) [R530-200-000](#) [R531-160-000](#) [R531-200-000](#) [R582-080-100](#)