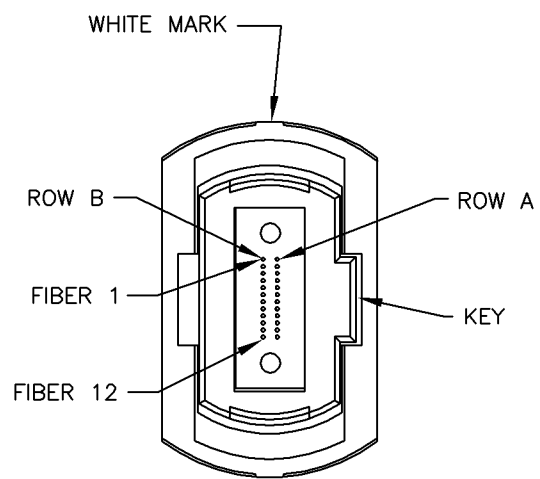
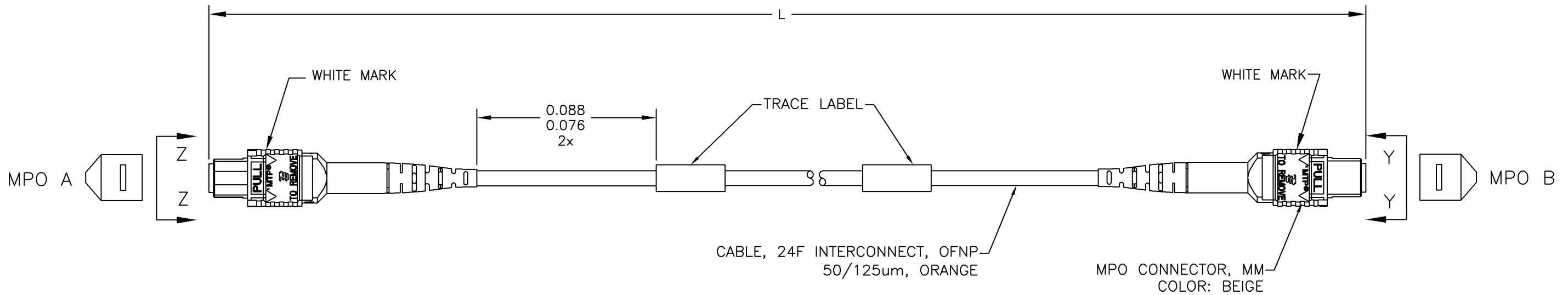


THIS DRAWING IS UNPUBLISHED. RELEASED FOR PUBLICATION. ALL RIGHTS RESERVED.

LOC	DIST	REVISIONS			
P	LTR	DESCRIPTION	DATE	DWN	APVD
—	—	—	—	—	—
A2	—	ECR-11-017572	24AUG2011	SBY	RZ

1. MAXIMUM CONNECTOR INSERTION LOSS AT 850nm.

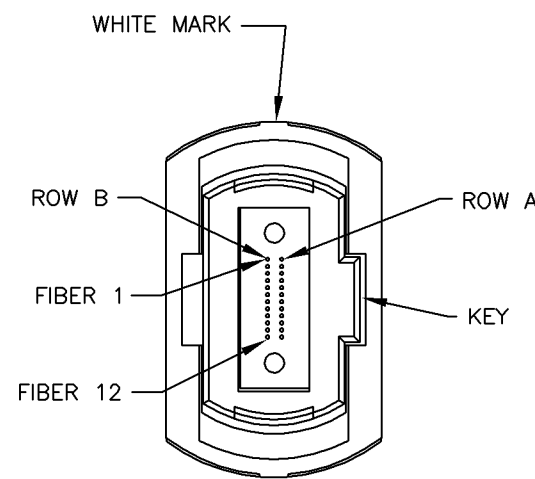
2. PRODUCT AND PROCESSING MUST MEET REQUIREMENTS OF TEC-138-702.



VIEW Z-Z  
NOT TO SCALE

MPO A ROW	FIBER	FIBER COLOR	MPO B ROW	FIBER
A	1	BLUE	B	1
A	2	ORANGE	B	2
A	3	GREEN	B	3
A	4	BROWN	B	4
A	5	SLATE	B	5
A	6	WHITE	B	6
A	7	RED	B	7
A	8	BLACK	B	8
A	9	YELLOW	B	9
A	10	VIOLET	B	10
A	11	ROSE	B	11
A	12	AQUA	B	12
B	1	BLUE	A	1
B	2	ORANGE	A	2
B	3	GREEN	A	3
B	4	BROWN	A	4
B	5	SLATE	A	5
B	6	WHITE	A	6
B	7	RED	A	7
B	8	BLACK	A	8
B	9	YELLOW	A	9
B	10	VIOLET	A	10
B	11	ROSE	A	11
B	12	AQUA	A	12

CONNECTOR FIBER PATH



VIEW Y-Y  
NOT TO SCALE

THIS DRAWING IS A CONTROLLED DOCUMENT.		DWN DAVIS WANG 05JAN2011		
DIMENSIONS: METERS		CHK JAMES ZHOU 05JAN2011		
TOLERANCES UNLESS OTHERWISE SPECIFIED:		APVD RICHARD ZHAO 05JAN2011	NAME CABLE ASSEMBLY, FIBER OPTIC, CXP, 50/125um 24 FIBER, INTERCONNECT CABLE MPO, NO PINS, BOTH ENDS	
0 PLC ± -		PRODUCT SPEC	SIZE A2	CAGE CODE 00779
1 PLC ± -		APPLICATION SPEC	DRAWING NO C=2148039	RESTRICTED TO
2 PLC ± -		WEIGHT	SCALE NTS	SHEET 1 of 2
3 PLC ± -		CUSTOMER DRAWING	REV A2	
4 PLC ± -				
ANGLES ± -				
FINISH				



THIS DRAWING IS UNPUBLISHED. RELEASED FOR PUBLICATION  
 © COPYRIGHT - By - ALL RIGHTS RESERVED.

LOC	DIST	REVISIONS					
		P	LTR	DESCRIPTION	DATE	DWN	APVD
HG	-	-	-	SEE SHEET 1	-	-	-

PART NUMBER	L		MPO MAX IL (dB) $\Delta$
	MAX	MIN	
2148039-1	1.050	0.950	0.70
2148039-2	2.050	1.950	0.71
2148039-3	3.050	2.950	0.71
2148039-4	4.080	3.920	0.71
2148039-5	5.080	4.920	0.72
2148039-6	6.080	5.920	0.72
2148039-7	7.080	6.920	0.72
2148039-8	8.080	7.920	0.73
2148039-9	9.150	8.850	0.73
1-2148039-0	10.150	9.850	0.74
1-2148039-1	11.150	10.850	0.74
1-2148039-2	12.150	11.850	0.74
1-2148039-3	13.150	12.850	0.75
1-2148039-4	14.150	13.850	0.75
1-2148039-5	15.150	14.850	0.75
1-2148039-6	16.160	15.840	0.76
1-2148039-7	17.170	16.830	0.76
1-2148039-8	18.180	17.820	0.76
1-2148039-9	19.190	18.810	0.77
2-2148039-0	20.200	19.800	0.77
2-2148039-1	21.210	20.790	0.77
2-2148039-2	22.220	21.780	0.78
2-2148039-3	23.230	22.770	0.78
2-2148039-4	24.240	23.760	0.78
2-2148039-5	25.250	24.750	0.79
2-2148039-6	26.260	25.740	0.79
2-2148039-7	27.270	26.730	0.79
2-2148039-8	28.280	27.720	0.80
2-2148039-9	29.290	28.710	0.80
3-2148039-0	30.300	29.700	0.81
3-2148039-1	31.310	30.690	0.81
3-2148039-2	32.320	31.680	0.81
3-2148039-3	33.330	32.670	0.82
3-2148039-4	34.340	33.660	0.82
3-2148039-5	35.350	34.650	0.82
3-2148039-6	36.360	35.640	0.83
3-2148039-7	37.370	36.630	0.83
3-2148039-8	38.380	37.620	0.83
3-2148039-9	39.390	38.610	0.84
4-2148039-0	40.400	39.600	0.84
4-2148039-1	41.410	40.590	0.84
4-2148039-2	42.420	41.580	0.85
4-2148039-3	43.430	42.570	0.85
4-2148039-4	44.440	43.560	0.85
4-2148039-5	45.450	44.550	0.86
4-2148039-6	46.460	45.540	0.86
4-2148039-7	47.470	46.530	0.86
4-2148039-8	48.480	47.520	0.87
4-2148039-9	49.490	48.510	0.87
5-2148039-0	50.500	49.500	0.88
5-2148039-5	55.550	54.450	0.89
6-2148039-0	60.600	59.400	0.91
6-2148039-5	65.650	64.350	0.93
7-2148039-0	70.700	69.300	0.95
7-2148039-5	75.750	74.250	0.96
8-2148039-0	80.800	79.200	0.98
8-2148039-5	86.000	84.000	1.00
9-2148039-0	91.350	88.650	1.02
9-2148039-5	96.425	95.575	1.03
9-2148039-9	101.500	98.500	1.05

D  
C  
B  
A

2148039

THIS DRAWING IS A CONTROLLED DOCUMENT.		DWN DAVIS WANG 05JAN2011	 TE Connectivity	
DIMENSIONS: METERS		CHK JAMES ZHOU 05JAN2011		
TOLERANCES UNLESS OTHERWISE SPECIFIED:		APVD RICHARD ZHAO 05JAN2011	NAME CABLE ASSEMBLY, FIBER OPTIC, CXP, 50/125um 24 FIBER, INTERCONNECT CABLE MPO, NO PINS, BOTH ENDS	
		PRODUCT SPEC -	RESTRICTED TO	
MATERIAL		APPLICATION SPEC -	SIZE A2	CAGE CODE 00779
FINISH		WEIGHT -	DRAWING NO C=2148039	REV A2
		CUSTOMER DRAWING	SCALE NTS	SHEET 2 of 2

## X-ON Electronics

Largest Supplier of Electrical and Electronic Components

*Click to view similar products for [Fiber Optic Cable Assemblies](#) category:*

*Click to view products by [TE Connectivity](#) manufacturer:*

Other Similar products are found below :

[7-21002-9](#) [760-1518](#) [FA04390-50-M-72-LC-N](#) [MLB 501 V RED](#) [MLB 501 V YELLOW](#) [8-21000-7](#) [8-21084-1](#) [FXE3-10BM15](#) [FXE3-10FM5](#) [FZB3-NM1](#) [1-3636-600-5208](#) [1-5018030-0](#) [ICD040GVP163D-07](#) [2901797](#) [1-6693182-0](#) [1754898-1](#) [F512D5-5F23Y](#) [F912B10-NM2](#) [FAP12WFDBDBDLCZ](#) [21055-6](#) [FXBSCSCE2LM002](#) [FXE3-10AM10](#) [FXE3-10AM20](#) [FXE3-10BM7](#) [FXE3-10FM15](#) [FXE3-10FM3](#) [FXE3-10FM4](#) [FXE3-10FM7](#) [FXE3-10GM3](#) [FZE10-10M6](#) [FZOPE10-10M5](#) [3000005](#) [3-21053-2](#) [MLB 200/1 V BLACK](#) [MLB 2001 V YELLOW](#) [MLB 501 V BLACK](#) [5492011-6](#) [106284-7000](#) [5492011-5](#) [5492011-8](#) [5492011-9](#) [CF-901201-007](#) [7-21000-4](#) [8-21007-5](#) [8-21084-0](#) [3-5106081-0](#) [106386-4447](#) [2-2064140-6](#) [F92ELLNSNSNM003](#) [2-2064140-3](#)