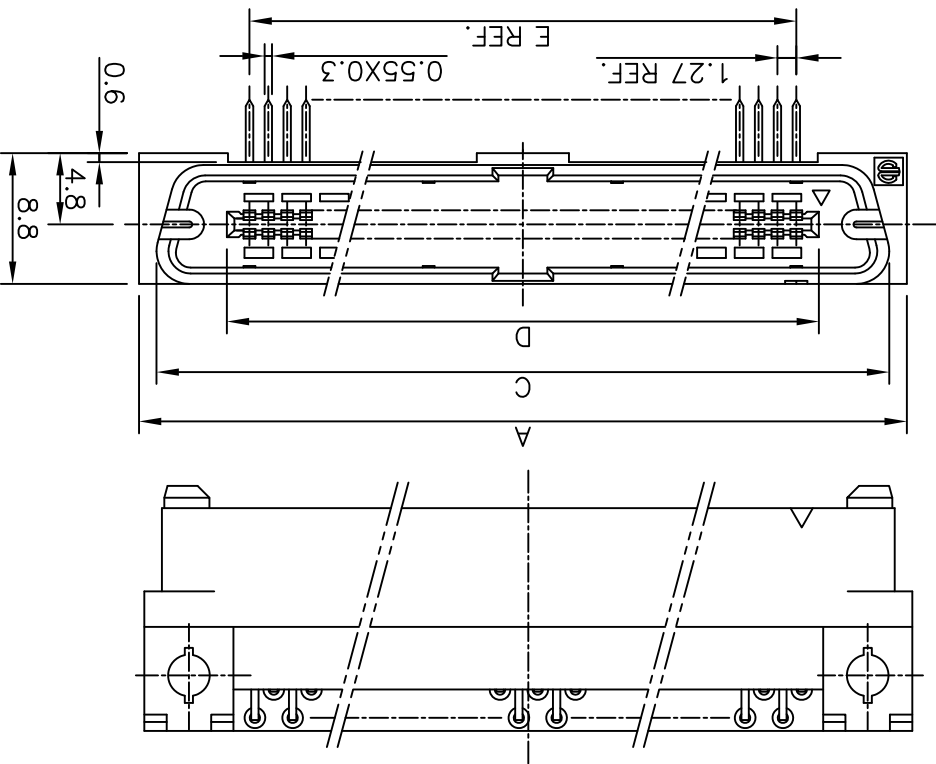
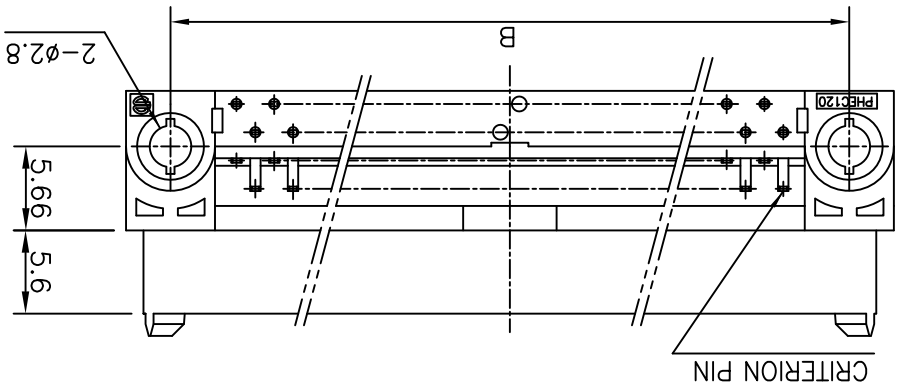


PRODUCT NO.
JSC 97408



NO. OF CONTACTS : 40,60,68,80,100,120



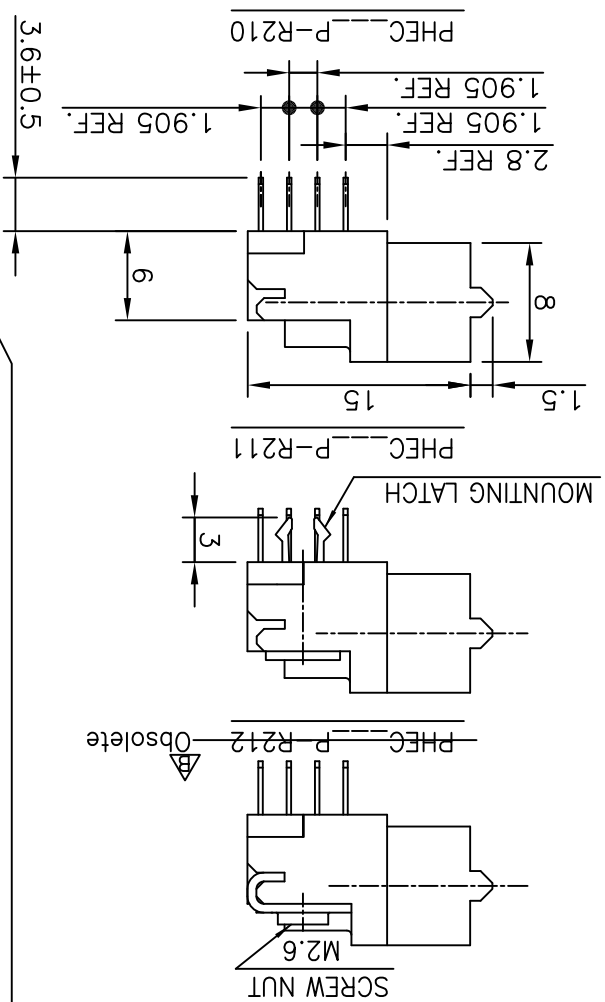
CRITERION PIN

- 1. BODY MATERIAL : NYLON GLASS FILLED (UL94V-0), COLOR BLACK
- 2. TERMINAL MATERIAL : PHOSPHOR BRONZE
- 3. MOUNTING LATCH MATERIAL : PHOSPHOR BRONZE
- 4. LOCATOR MATERIAL : PBT GLASS FILLED
- 5. SCREW NUT : STEEL
- 6. TERMINAL FINISH
- CONTACT AREA : GOLD 0.25µm min. OVER NICKEL UNDERLAYER
- 7. MOUNTING LATCH FINISH : PURE Sn 2µm min. OVER NICKEL UNDERLAYER
- 8. SCREW FINISH : NICKEL
- 9. THIS PRODUCT MEETS EUROPEAN UNION DIRECTIVES AND OTHER COUNTRY REGULATIONS AS DESCRIBED IN GS-22-008
- 10. THE HOUSING WILL WITHSTAND EXPOSURE TO 260 DEGREE PEAK TEMPERATURE FOR 10 SECONDS IN A WAVE SOLDER APPLICATION WITH A 1.6mm MINIMUM THICK CIRCUIT BOARD.

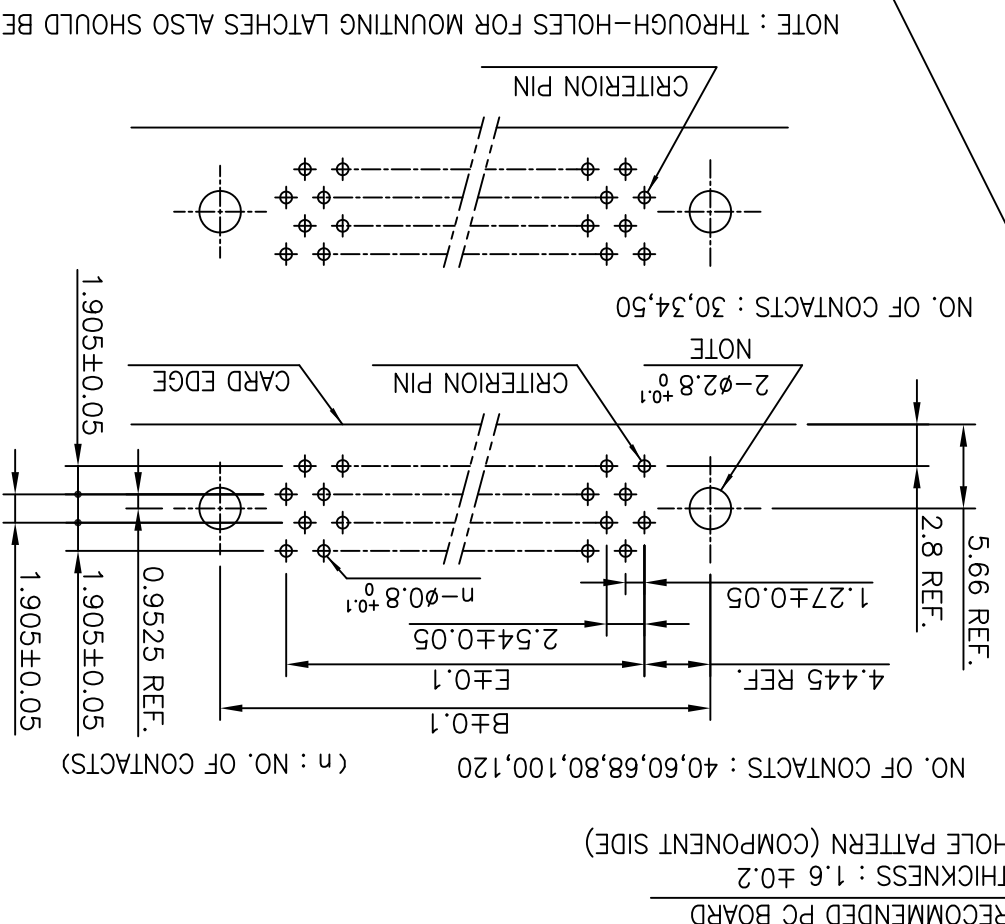
sheet revision B
sheet index 1

mat'l. code	---	ISO 1302	ISO 406	ISO 1101	tolerance	tolerances unless otherwise specified	projection	product family	PHEC	CODE	JP
ltr	description	ecn no	dr	date	angles	linear	scale N/A	title	PHEC	CODE	JP
A	RELEASED	J08-0178	S.W	2008-4-18	0°±2'	0.XX ±0.3	MM	PRINTED CIRCUIT CONNECTOR (CAT.NO.PHEC -- P-R21_LF)	PHEC	CODE	JP
B	EOL of R212LF	ELX-J-17067	S.W	2014-2-27	0°±2'	0.XXX ±0.3	MM	PRINTED CIRCUIT CONNECTOR (CAT.NO.PHEC -- P-R21_LF)	PHEC	CODE	JP
dr	S.Watnabe	2014-2-27	engr	S.Watnabe	2014-2-27	2014-2-27	type	Customer Drawing	PHEC	CODE	JP
chp	K.Ito	2014-2-27	appd	Y.Kameda	2014-2-27	2014-2-27	dwg no	JSC 97408	PHEC	CODE	JP
sheet revision	B	sheet index	1								

CAT. NO.	NO. OF CONTACTS (MATING SIDE)	DIMENSIONS				
		A	B	C	D	E
PHEC30P-R21_LF	15/ROW X 2 ROWS	32.67	26.67	30.30	20.42	17.78
PHEC34P-R21_LF	17/ROW X 2 ROWS	35.21	29.21	32.84	22.96	20.32
PHEC40P-R21_LF	20/ROW X 2 ROWS	39.02	33.02	36.65	26.77	24.13
PHEC50P-R21_LF	25/ROW X 2 ROWS	45.37	39.37	43.00	33.12	30.48
PHEC60P-R21_LF	30/ROW X 2 ROWS	51.72	45.72	49.35	39.47	36.83
PHEC68P-R21_LF	34/ROW X 2 ROWS	56.80	50.80	54.43	44.55	41.91
PHEC80P-R21_LF	40/ROW X 2 ROWS	64.42	58.42	62.05	52.17	49.53
PHEC100P-R21_LF	50/ROW X 2 ROWS	77.12	71.12	74.75	64.87	62.23
PHEC120P-R21_LF	60/ROW X 2 ROWS	89.82	83.82	87.45	77.57	74.93



NO. OF CONTACTS : 30,34,50



NOTE : THROUGH-HOLES FOR MOUNTING LATCHES ALSO SHOULD BE PLATED.

RECOMMENDED PC BOARD THICKNESS : 1.6 ±0.2 HOLE PATTERN (COMPONENT SIDE)

X-ON Electronics

Largest Supplier of Electrical and Electronic Components

Click to view similar products for [Headers & Wire Housings](#) category:

Click to view products by [Amphenol](#) manufacturer:

Other Similar products are found below :

[95000-104TRLF](#) [10135584-644402LF](#) [DF62W-EP2022PCA](#) [95000-106TRLF](#) [DF62W-2022SCA](#) [DF62W-EP2022PC](#) [2203348](#) [DF62W-2022SC](#) [1084018](#) [1029039](#) [1084017](#) [802-10-012-10-002000](#) [1112640](#) [1112639](#) [891-007-9SS-BST1T](#) [000-34000](#) [0008550134](#) [0009482033](#) [0009507031](#) [57102-F02-18ULF](#) [57102-S06-03LF](#) [57202-S52-04LF](#) [PCN6-15S-2.5E](#) [0039019024](#) [58102-G61-06LF](#) [582553-1](#) [0009485154](#) [0009508121](#) [0022285053](#) [0050291907](#) [018731A](#) [LY20-4P-DT1-P1E-BR](#) [02.125.8002.8](#) [60101931](#) [60598-1 \(Cut Strip\)](#) [M1625-3R/100](#) [61062-3](#) [61082-181009](#) [CSU011177004](#) [636-1427](#) [638009-1](#) [641938-9](#) [641991-4](#) [644168-1](#) [644827-2](#) [647662-1](#) [65039-019ELF](#) [65692-001LF](#) [65781-018](#) [65781-047](#)