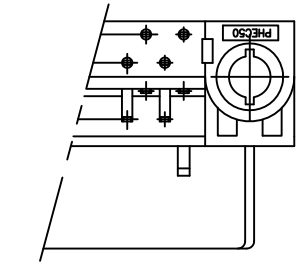
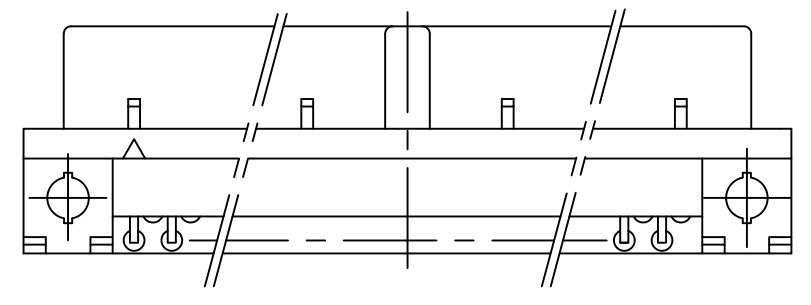
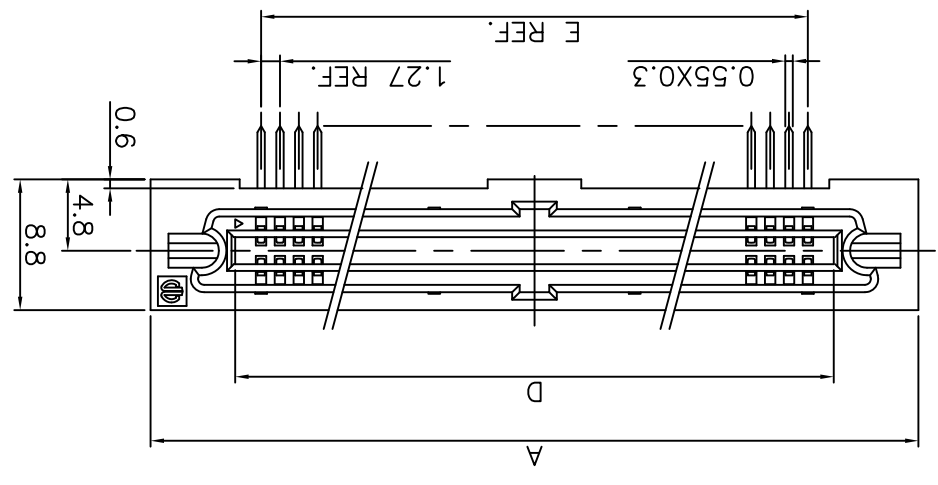
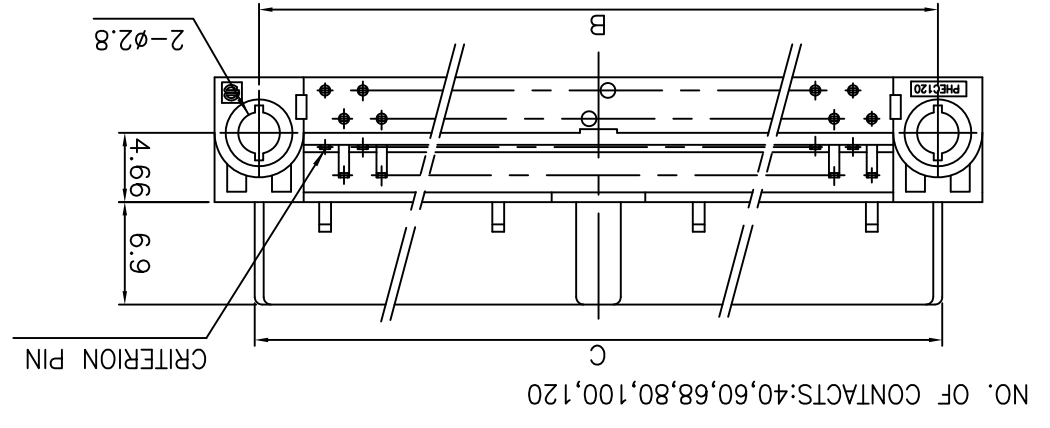
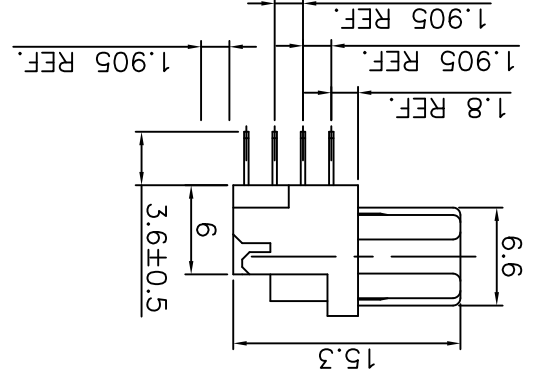


PRODUCT NO.
JSC 96359

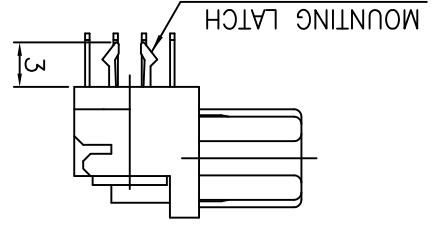
- NOTES
- 1.BODY, LOCATOR MATERIAL : PBT GLASS FILLED (UL94V-0), COLOR BLACK
 - 2.TERMINAL MATERIAL : PHOSPHOR BRONZE
 - 3.MOUNTING LATCH MATERIAL : PHOSPHOR BRONZE
 - 4.SCREW NUT : STEEL
 - 5.TERMINAL FINISH
CONTACT AREA : GOLD FLASH 0.1µm min. OVER NICKEL UNDERLAYER
SOLDER TAILS : PURE Sn 2µm min. OVER NICKEL UNDERLAYER
 - 6.MOUNTING LATCH FINISH : PURE Sn 2µm min. OVER NICKEL UNDERLAYER
 - 7.SCREW NUT FINISH : NICKEL
 - 8.THIS PRODUCT MEETS EUROPEAN UNION DIRECTIVES AND OTHER COUNTRY REGULATIONS AS DESCRIBED IN GS-22-008
 - 9.THE HOUSING WILL WITHSTAND EXPOSURE TO 260 DEGREE PEAK TEMPERATURE FOR 10 SECONDS IN A WAVE SOLDER APPLICATION WITH A 1.6mm MINIMUM THICK CIRCUIT BOARD.



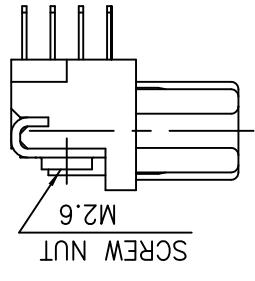
PHEC-R-R110
NO. OF CONTACTS:30,34,50



PHEC-R-R111



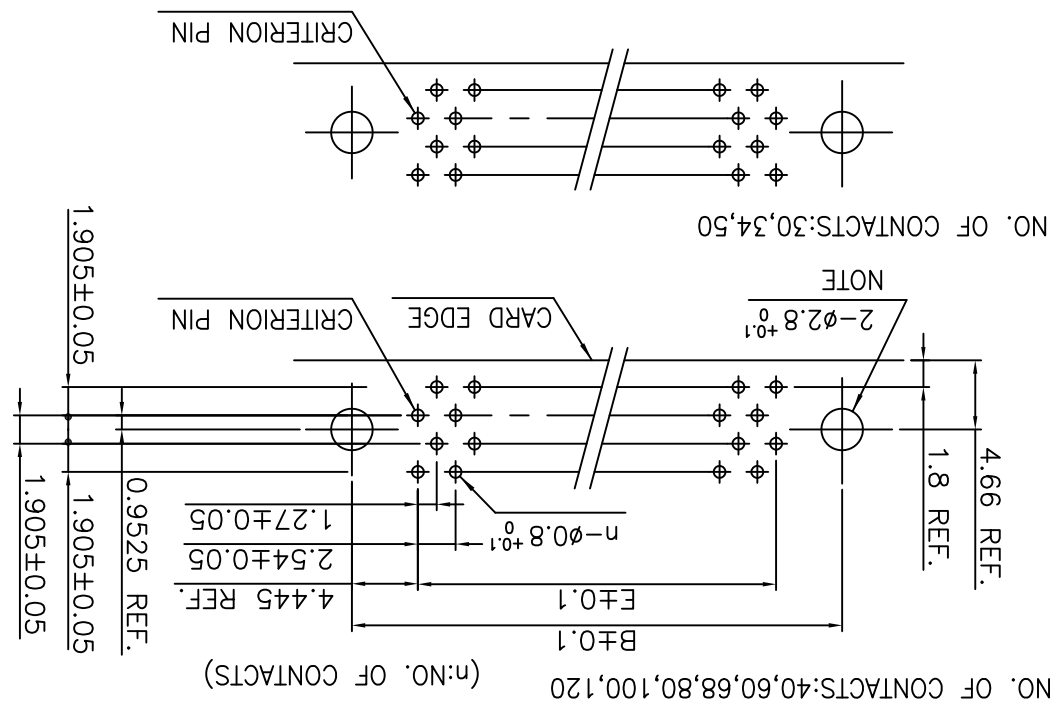
PHEC-R-R112 ~~Obsolete~~



SCREW NUT

CAT. NO.	NO. OF CONTACTS (MATING SIDE)	DIMENSIONS				
		A	B	C	D	E
PHEC30R-R11_LF	15/ROW X 2 ROWS	32.67	26.67	27.26	21.26	17.78
PHEC34R-R11_LF	17/ROW X 2 ROWS	35.21	29.21	29.80	23.80	20.32
PHEC40R-R11_LF	20/ROW X 2 ROWS	39.02	33.02	33.61	27.61	24.13
PHEC50R-R11_LF	25/ROW X 2 ROWS	45.37	39.37	39.96	33.96	30.48
PHEC60R-R11_LF	30/ROW X 2 ROWS	51.72	45.72	46.31	40.31	36.83
PHEC68R-R11_LF	34/ROW X 2 ROWS	56.80	50.80	51.39	45.39	41.91
PHEC80R-R11_LF	40/ROW X 2 ROWS	64.42	58.42	59.01	53.01	49.53
PHEC100R-R11_LF	50/ROW X 2 ROWS	77.12	71.12	71.71	65.71	62.23
PHEC120R-R11_LF	60/ROW X 2 ROWS	89.82	83.82	84.41	78.41	74.93

NOTE : THROUGH-HOLES FOR MOUNTING LATCHES ALSO SHOULD BE PLATED.



ltr	description	ecn no	dr	date	surface		tolerance		projection	product family	CODE					
					ISO 1302	ISO 606	ISO 1101	ISO 1101								
A	RELEASED	J05-0186	S.O	3/29/05	0.X	±0.3	0.X	±0.3	MM	PHEC	JP					
B	REVISED	J07-0047	S.O	1/25/07	0.XX	±0.3	0.XX	±0.3	MM	PHEC	JP					
C	REVISED	J07-0458	S.O	9/11/07	0.±2	±0.3	0.±2	±0.3	MM	PHEC	JP					
D	EOL of R112LF	EX-J-17067	S.W	2/27/14	dr	S.Watanabe	2/27/14	engr	S.Watanabe	2/27/14	chr	K.Ito	2/27/14	apptd	Y.Kameda	2/27/14

sheet	revision	sheet	index
D	1	1	1

mat'l. code ---
 title PRINTED CIRCUIT CONNECTOR (CAT.NO.PHEC --- R-R11_LF)
 product family PHEC
 product family PHEC
 type Customer Drawing
 dwg no JSC 96359
 sheet 1 of 1 size A3
 Rev. D

X-ON Electronics

Largest Supplier of Electrical and Electronic Components

Click to view similar products for [Headers & Wire Housings](#) category:

Click to view products by [Amphenol](#) manufacturer:

Other Similar products are found below :

[95000-104TRLF](#) [10135584-644402LF](#) [DF62W-EP2022PCA](#) [95000-106TRLF](#) [DF62W-2022SCA](#) [DF62W-EP2022PC](#) [2203348](#) [DF62W-2022SC](#) [1084018](#) [1029039](#) [1084017](#) [802-10-012-10-002000](#) [1112640](#) [1112639](#) [891-007-9SS-BST1T](#) [000-34000](#) [0008550134](#) [0009482033](#) [0009507031](#) [57102-F02-18ULF](#) [57102-S06-03LF](#) [57202-S52-04LF](#) [PCN6-15S-2.5E](#) [0039019024](#) [58102-G61-06LF](#) [582553-1](#) [0009485154](#) [0009508121](#) [0022285053](#) [0050291907](#) [018731A](#) [LY20-4P-DT1-P1E-BR](#) [02.125.8002.8](#) [60101931](#) [60598-1 \(Cut Strip\)](#) [M1625-3R/100](#) [61062-3](#) [61082-181009](#) [CSU011177004](#) [636-1427](#) [638009-1](#) [641938-9](#) [641991-4](#) [644168-1](#) [644827-2](#) [647662-1](#) [65039-019ELF](#) [65692-001LF](#) [65781-018](#) [65781-047](#)