



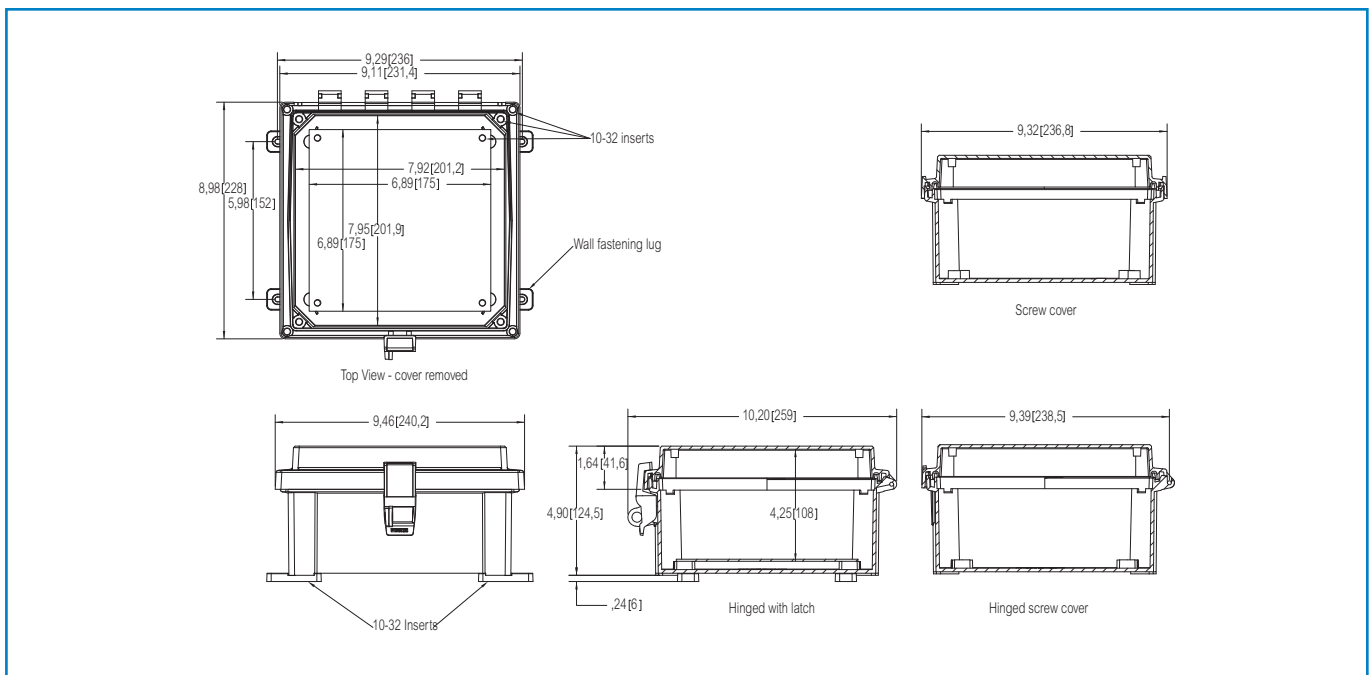
Sample photo

Order symbol: AR884CHL
Product nbr: 8561087
Description: PC Enclosure
Remarks: Hinged opaque cover w/Plastic quick release latch

EAN: 6418074067302
EI. number:
 Finland:
 Norway:

Including: Hinged cover base with 10-32 brass inserts, latched cover with formed in place PUR gasket, and stainless hinge pin. Quick release latches. (Latch options available.) Enclosure mounting foot kit. Accessory 10-32 screws for panel mounting.

Dimensions:		Length	Width	Height	Rating:
mm:		203	203	102	Ingress Protection (EN 60529): 66/67
inch:		8.0	8.0	4.0	Electrical insulation: Totally insulated
Materials:					Halogen free (DIN/VDE 0472, Part 815): yes
Material:		Polycarbonate			UV resistance: UL 508
Base colour:		RAL 7035 -light grey			Flammability Rating (UL 746 C 5): complies with UL 508
Cover colour:		RAL 7035			Glow Wire Test (IEC 695-2-1) °C: 960
Cover screws material:		Stainless steel			NEMA Class: UL Type 4, 4X, 6, 6P, 12 and 13
Gasket material:		Polyurethane			
Temperatures:					Certificates:
Short term:		-40 ... 140 °C			
Continuous:		-40 ... 80 °C			
Short term:		-40 ... 284 °F			
Continuous:		-40 ... 175 °F			
Accessories:					
APBP88		PVC Back Panel			
ABP88		Painted Steel Back Panel			
ALBP88		Aluminum Back Panel			
ADFP88		Dead Front Panel w/ screws			
ASP88		Aluminum Swing Panel			
ASPK88		Swing Panel Kit incl. Panel			
ASPHK8		Swing Panel Kit w/o Panel			
AMFL8		8" Mounting Flange Set			



X-ON Electronics

Largest Supplier of Electrical and Electronic Components

Click to view similar products for [Mounting Fixings](#) category:

Click to view products by [Fibox](#) manufacturer:

Other Similar products are found below :

[007310](#) [007541](#) [6-141-P](#) [620HA038NF09](#) [620HA038NF11](#) [71-074914-006](#) [71-146610-6H](#) [712HA170B23128-N](#) [71-441549-19S](#) [71-490451-4H](#) [75-69211-3P](#) [75-69220-27S](#) [75-69224-5S](#) [770-006A109](#) [770-006A109R](#) [770-006A207](#) [770-006A208W1](#) [770-006A209](#) [770-006A306](#) [770-006A703W1](#) [770-006A704](#) [770-006A704W1](#) [770-006A705](#) [770-006A706](#) [770-006A706W1](#) [770-006A707](#) [770-006A709](#) [770-007A203](#) [770-007A203W1](#) [770-007A204W1](#) [770-007A207W1](#) [770-007A703](#) [770-007A704W1](#) [770-007A706](#) [770-007A707W1](#) [770-010Y208](#) [770-010Y308](#) [770-010Y705](#) [770-010Y706](#) [770-010Y707W1](#) [770-011T201](#) [770-011T203](#) [770-011T701W1](#) [770-011T702](#) [770-011T702W1](#) [770-011T703](#) [770-013210W1](#) [770-013311](#) [770-013312](#) [770-013709](#)