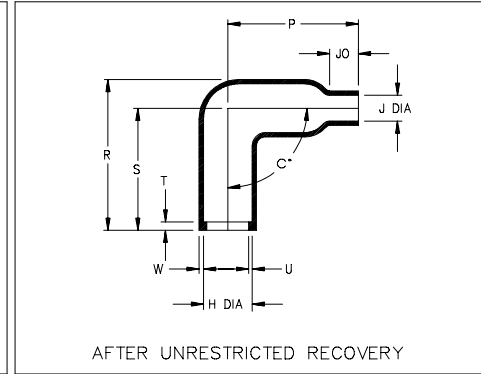
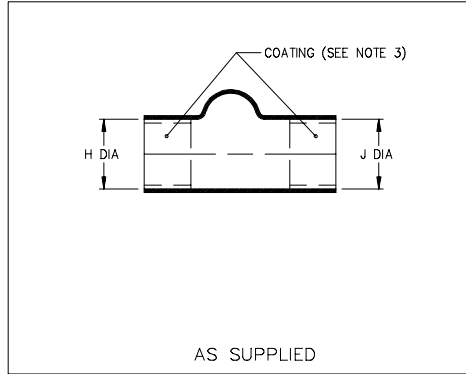


Thermofit[®] Molded Parts Specification Control Drawing

Part Number : 222B112 & 222B123
Description : Boot, 90°, With Lip

NOTES

- All dimensions are in $\frac{\text{inches}}{\text{[millimeters]}}$
- Dimensions appearing in table are as follows:
a - As Supplied
b - After Unrestricted Recovery
- Coating is optional. As supplied dimensions appearing in table are for uncoated parts. When coating is added, entry diameters will be reduced by .06 max.



| PART NUMBER | H | | J | | P ±10% b | R Ref b | S ±10% b | T ±10% b | U ±10% b | JO ±10% b | W ±20% b | C ±5% b |
|-------------|----------------|---------------|----------------|---------------|----------------|----------------|----------------|----------------|----------------|-----------------|----------------|---------------|
| | Min | Max | Min | Max | | | | | | | | |
| | a | b | a | b | | | | | | | | |
| 222B112 | 1.00 [25,4] | .70 [17,8] | 1.00 [25,4] | .37 [9,4] | 1.87 [47,5] | 1.75 [44,4] | 1.24 [31,5] | .12 [3,0] | .05 [1,3] | .42 [10,6] | .06 [1,5] | 90° |
| 222B123 | 1.50 [38,1] | .95 [24,1] | 1.50 [38,1] | .49 [12,4] | 2.00 [50,8] | 1.98 [50,3] | 1.60 [40,6] | .12 [3,0] | .05 [1,3] | .42 [10,6] | .06 [1,5] | 90° |

Raychem

RAYCHEM CORPORATION
300 CONSTITUTION DRIVE
MENLO PARK, CALIFORNIA 94025

Revision : B
Date : 2/2/95

Part Number : 222B112 & 222B123
Description : Boot, 90°, With Lip

Thermofit[®] Molded Parts Specification Control Drawing

Part Number : 222B112 & 222B123
Description : Boot, 90°, With Lip

| MATERIAL DASH NO. | MATERIAL DESCRIPTION | RT SPEC | COATING SLASH NO. | COATING S NO. | COATING DESCRIPTION |
|-------------------|----------------------------|---------|-------------------|---------------|---------------------|
| -3 | Polyolefin, Semi-rigid | RT-301 | /42 | S-1017 | Adhesive |
| -25 | Elastomer, Fluid Resistant | RT-1325 | | | |
| | | | | | |
| | | | | | |
| | | | | | |

ORDERING INFORMATION

222B1XX -XX -XX -XX

Base part number _____

Material dash number _____
(See Compatability Chart)

Modification number _____
(If necessary, see front of scd binder for a complete list)

Adhesive slash number _____
(If necessary, see Compatability Chart)

THIS DRAWING IS SUBJECT TO CHANGE WITHOUT NOTICE; CONSULT YOUR NEAREST FIELD REPRESENTATIVE FOR CURRENT REVISION

Raychem

RAYCHEM CORPORATION
300 CONSTITUTION DRIVE
MENLO PARK, CALIFORNIA 94025

Revision : B
Date : 2/2/95

Part Number : 222B112 & 222B123
Description : Boot, 90°, With Lip

X-ON Electronics

Largest Supplier of Electrical and Electronic Components

Click to view similar products for [Cable Boots](#) category:

Click to view products by [TE Connectivity](#) manufacturer:

Other Similar products are found below :

[618235-000](#) [622A014-3-0](#) [CX4132-000](#) [879103-4](#) [879515-000](#) [889092](#) [982033-2](#) [R280576000](#) [1300830729](#) [MTPSRBCL-C](#) [1811481-1](#)
[200W531-3-0](#) [202A121-386-0](#) [202A142-4-00/42-0](#) [202A163-4-0-CS5067](#) [202B221-13-0](#) [202B231-13-0](#) [202B563-25-07-0](#)
[202C621710CS5361](#) [202D132-4-07/42-0](#) [202D221-4-0-CS5349](#) [202D221-4-26-0](#) [202D263-25-08-0](#) [202D263-4-22/42-0](#) [202D263-4-88-0](#)
[202D921-2542-0](#) [202E336-71-0](#) [202F211-50-22-0-CS8474](#) [202F242-50-05-0](#) [202F242-51-04/164-0](#) [202K121-25-CS-1858-0](#) [202K121-25-](#)
[CS-2062-0](#) [202K132-25-01/225-0CS8387](#) [202K153-3-0186-0](#) [202S132-25-UP-0](#) [203W301-3/42-0](#) [207W613-100/184-0-CS5657](#) [207W623-](#)
[100-01/184-0](#) [207W634-100/184-0-CS5657](#) [207W656-100-01/184-0](#) [207W667-100-01/184-0](#) [207W667-100/184-0](#) [208A011-3-0](#) [208A021-3-](#)
[0](#) [221A011-51164-0-CS7133](#) [222A121-2586](#) [222A152-342-0](#) [222A213-25-0-CS5613](#) [222D221-25-13/86-0](#) [222D232-4-61-0-CS5078](#)