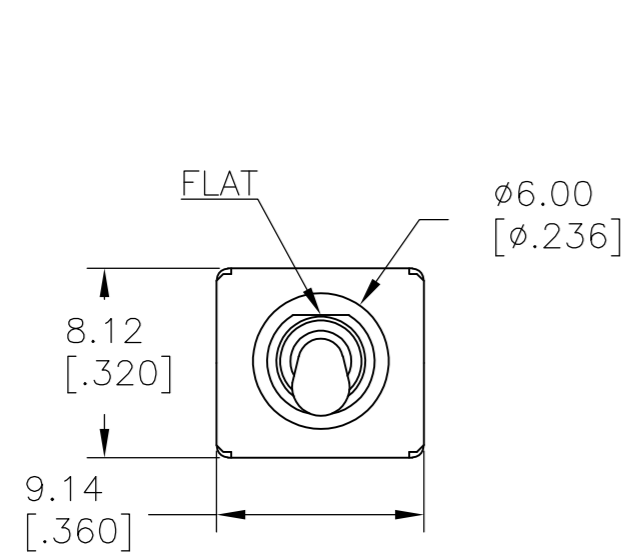
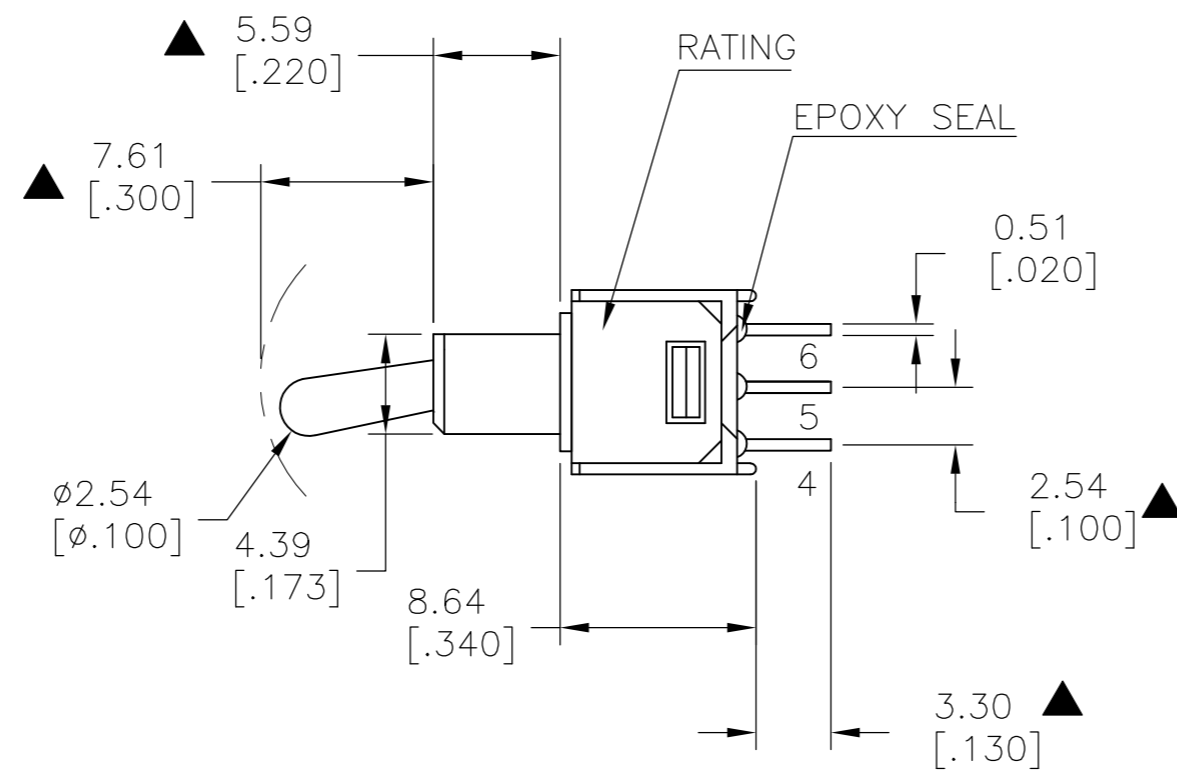


THIS DRAWING IS UNPUBLISHED. RELEASED FOR PUBLICATION  
 © COPYRIGHT - By - ALL RIGHTS RESERVED.

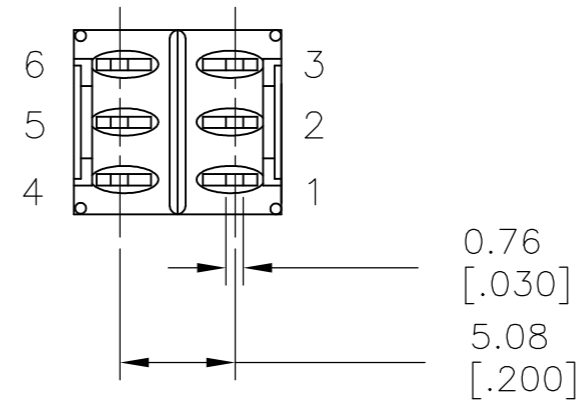
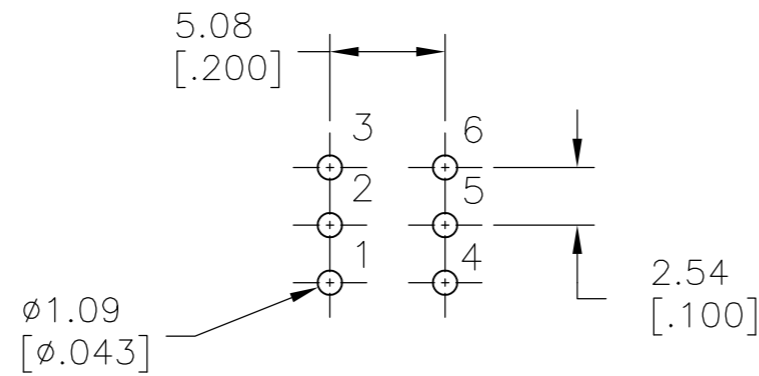
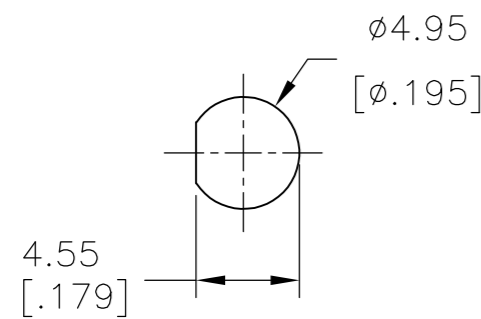
LOC		DIST		REVISIONS			
P	LTR	DESCRIPTION		DATE	DWN	APVD	
-	-	A	NEW DRAWING PER ECO-14-009318	11JUL2014	NK	RH	



PANEL MOUNTING



P.C. MOUNTING



MODEL NO.	POS.1	POS.2	POS.3
TMS	ON	NONE	ON
TERM. COMM.	2-3,5-6	N/A	2-1,5-4
SCHEMATIC		N/A	

SWITCH FUNCTION

LAYOUT FOR PN 2267078-8

SPECIFICATIONS

- MECHANICAL LIFE: 30,000 MAKE-AND-BREAK CYCLES.
- CONTACT RESISTANCE: 20 mΩ MAX. INITIAL @ 2-4VDC 100mA FOR BOTH SILVER AND GOLD PLATED CONTACTS.
- CONTACT RATING: GOLD PLATED: 0.4VA MAX @ 20 V MAX (AC OR DC)
- INSULATION RESISTANCE: 1,000 MΩ MIN.
- DIELECTRIC STRENGTH: 1,000 Vrms MIN.@SEA LEVEL.
- OPERATING TEMPERATURE: -30°C TO 85°C.

CONTACT MATERIAL	FUNCTION	TERMINATION	MOUNT ANGLE	POLES	THROWS	DESCRIPTIVE PN	TE PN
GOLD	ON-ON	PC THROUGH HOLE	RIGHT ANGLE	2	2	TMD1T5B2M6RE	2267078-9
GOLD	ON-ON	PC THROUGH HOLE	VERTICAL	2	2	TMD1T5B2M2RE	2267078-8
GOLD	ON-OFF-ON	PC THROUGH HOLE	VERTICAL RIGHT ANGLE	1	2	TMS3T5B2M7RE	2267078-7
GOLD	ON-OFF-ON	PC THROUGH HOLE	RIGHT ANGLE	1	2	TMS3T5B2M6RE	2267078-6
GOLD	ON-OFF-ON	PC THROUGH HOLE	VERTICAL	1	2	TMS3T5B2M2RE	2267078-5
GOLD	ON-ON	PC THROUGH HOLE	VERTICAL RIGHT ANGLE	1	2	TMS1T5B2M7RE	2267078-4
GOLD	ON-ON	PC THROUGH HOLE	RIGHT ANGLE	1	2	TMS1T5B2M6RE	2267078-3
GOLD	ON-ON	PC THROUGH HOLE	VERTICAL	1	2	TMS1T5B2M2RE	2267078-2
GOLD	OFF-ON	PC THROUGH HOLE	VERTICAL	1	2	TMS6T5B2M2RE	2267078-1

THIS DRAWING IS A CONTROLLED DOCUMENT.

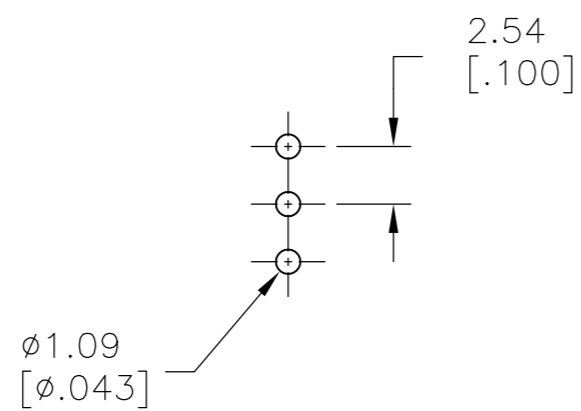
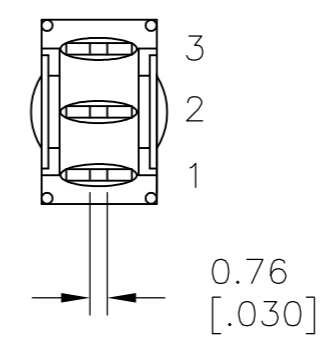
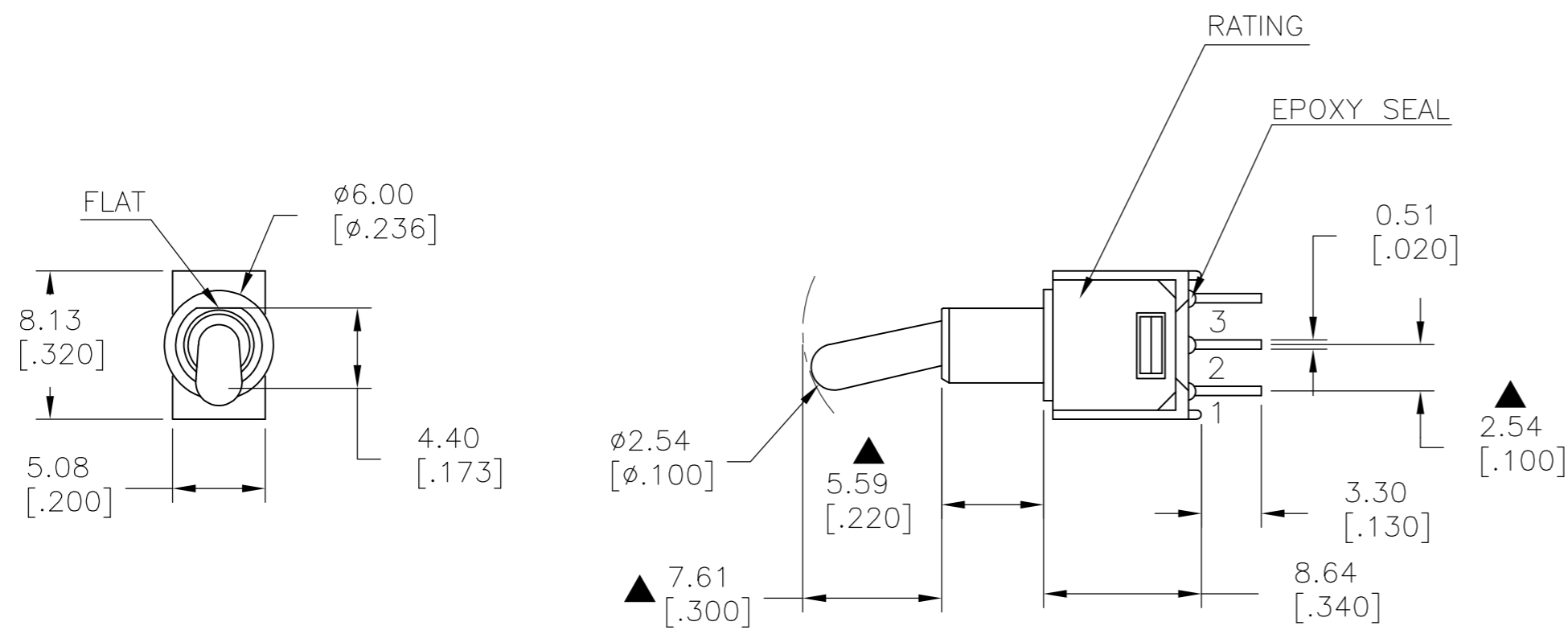
DWN: NAGALAKSHMI K 11JUL2014	 TE Connectivity SUBMINIATURE TOGGLE SWITCH					
CHK: HILL, RYAN 11JUL2014						
APVD: HILL, RYAN 11JUL2014						
PRODUCT SPEC						
APPLICATION SPEC	NAME					
MATERIAL	FINISH	WEIGHT	SIZE: A2	CAGE CODE: 00779	DRAWING NO: C=2267078	RESTRICTED TO
CUSTOMER DRAWING		SCALE: 3:1	SHEET: 1 of 9	REV: A		

THIS DRAWING IS UNPUBLISHED. RELEASED FOR PUBLICATION  
 © COPYRIGHT - By - ALL RIGHTS RESERVED.

LOC		DIST		REVISIONS			
P	LTR	DESCRIPTION	DATE	DWN	APVD		
-	-	SEE SHEET 1	-	-	-		

MODEL NO.	POS.1	POS.2	POS.3
TMS	ON	NONE	ON
TERM. COMM.	2-3	OPEN	2-1
SCHEMATIC			

SWITCH FUNCTION



P.C. MOUNTING

LAYOUT FOR PN 2267078-2

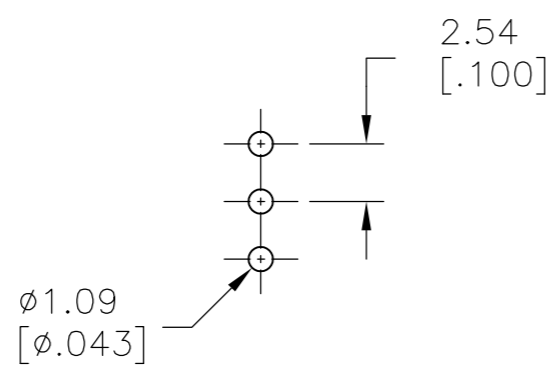
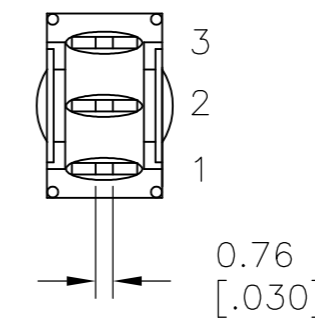
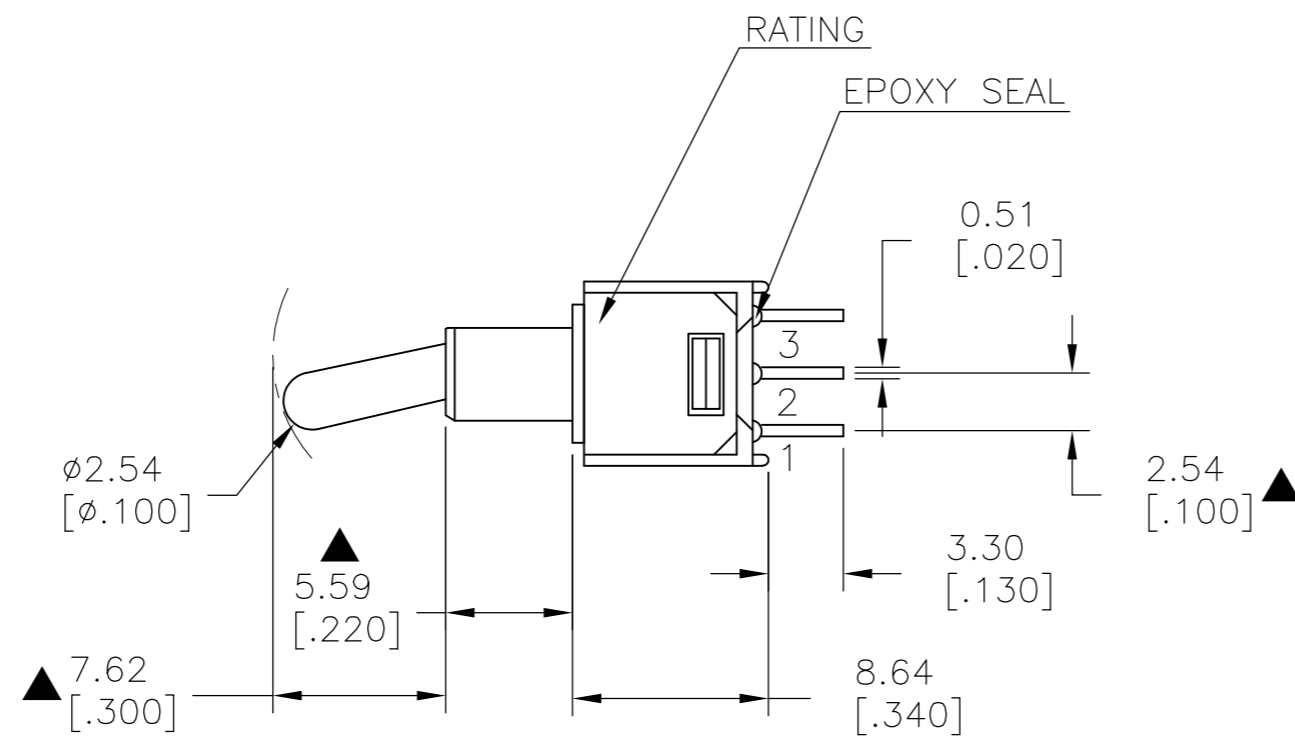
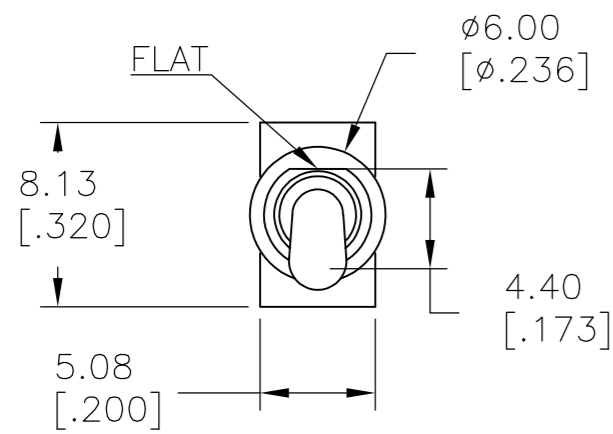
THIS DRAWING IS A CONTROLLED DOCUMENT.		DWN 11JUL2014 NAGALAKSHMI K	TE Connectivity	
DIMENSIONS: mm [INCHES]		CHK 11JUL2014 HILL, RYAN		
TOLERANCES UNLESS OTHERWISE SPECIFIED:		APVD 11JUL2014 HILL, RYAN	NAME	
0 PLC ± -		PRODUCT SPEC	SUBMINIATURE TOGGLE SWITCH	
1 PLC ± 0.38[.015]		APPLICATION SPEC	SIZE	CAGE CODE
2 PLC ± 0.25[.010]		WEIGHT	A2	00779
3 PLC ± -		CUSTOMER DRAWING	DRAWING NO. C=2267078	
4 PLC ± -		SCALE	3:1	SHEET 2 of 9
ANGLES ± 5°		REV	A	
FINISH		RESTRICTED TO		

THIS DRAWING IS UNPUBLISHED. RELEASED FOR PUBLICATION  
 © COPYRIGHT - By - ALL RIGHTS RESERVED.

LOC		DIST		REVISIONS			
P	LTR	DESCRIPTION	DATE	DWN	APVD		
-	-	SEE SHEET 1	-	-	-		

MODEL NO.	POS.1	POS.2	POS.3
TMS	ON	OFF	ON
TERM. COMM.	2-3	OPEN	2-1
SCHEMATIC			

SWITCH FUNCTION



P.C. MOUNTING

LAYOUT FOR PN 2267078-5

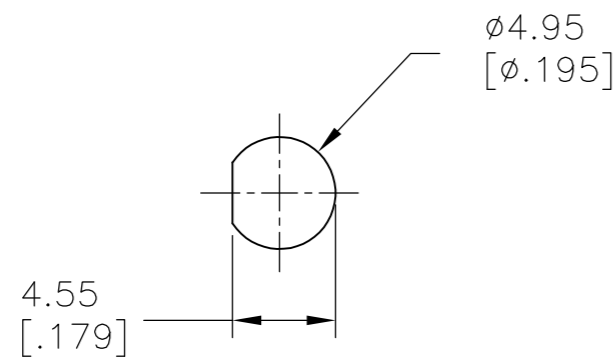
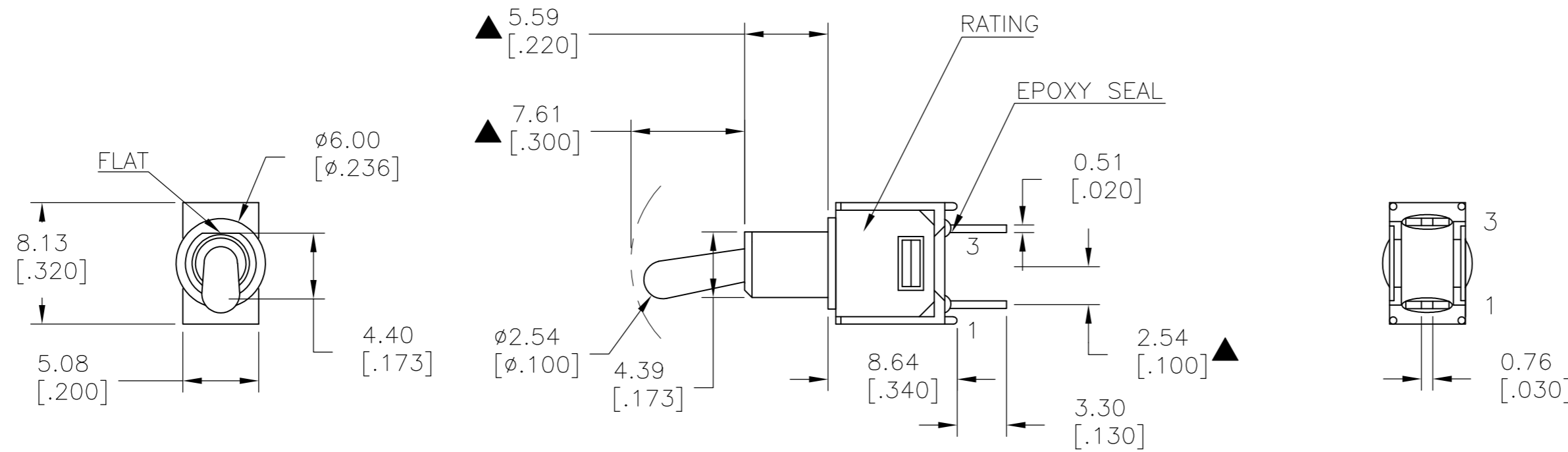
THIS DRAWING IS A CONTROLLED DOCUMENT.		DWN NAGALAKSHMI K 11JUL2014		
DIMENSIONS: mm [INCHES]		CHK HILL, RYAN 11JUL2014		
TOLERANCES UNLESS OTHERWISE SPECIFIED:		APVD HILL, RYAN 11JUL2014	NAME	
0 PLC ± - 1 PLC ± 0.38[.015] 2 PLC ± 0.25[.010] 3 PLC ± - 4 PLC ± - ANGLES ± 5°		PRODUCT SPEC	SUBMINIATURE TOGGLE SWITCH	
MATERIAL		APPLICATION SPEC	SIZE	RESTRICTED TO
FINISH		WEIGHT	A2 00779	-
		CUSTOMER DRAWING	CAGE CODE	DRAWING NO
			C=2267078	
		SCALE	3:1	SHEET
			3 of 9	REV
				A

THIS DRAWING IS UNPUBLISHED. RELEASED FOR PUBLICATION  
 © COPYRIGHT - By - ALL RIGHTS RESERVED.

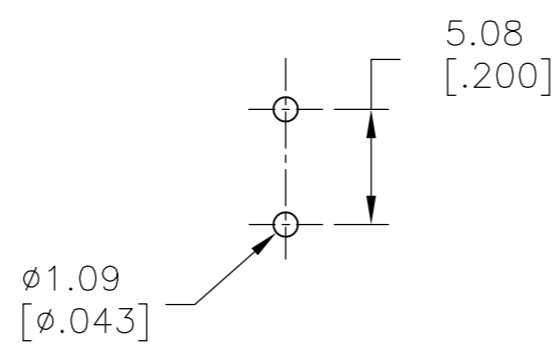
LOC		DIST		REVISIONS			
P	LTR	DESCRIPTION	DATE	DWN	APVD		
-	-	SEE SHEET 1	-	-	-		

MODEL NO.	POS.1	POS.2	POS.3
TMS	OFF	NONE	ON
TERM. COMM.	OPEN	N/A	3-1
SCHEMATIC			

SWITCH FUNCTION



PANEL MOUNTING



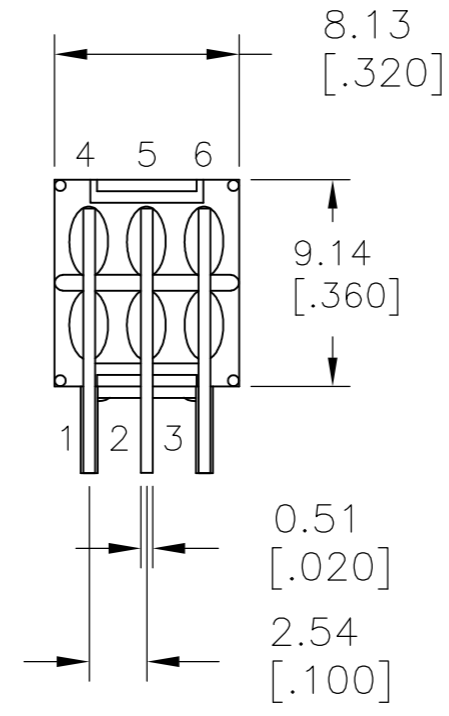
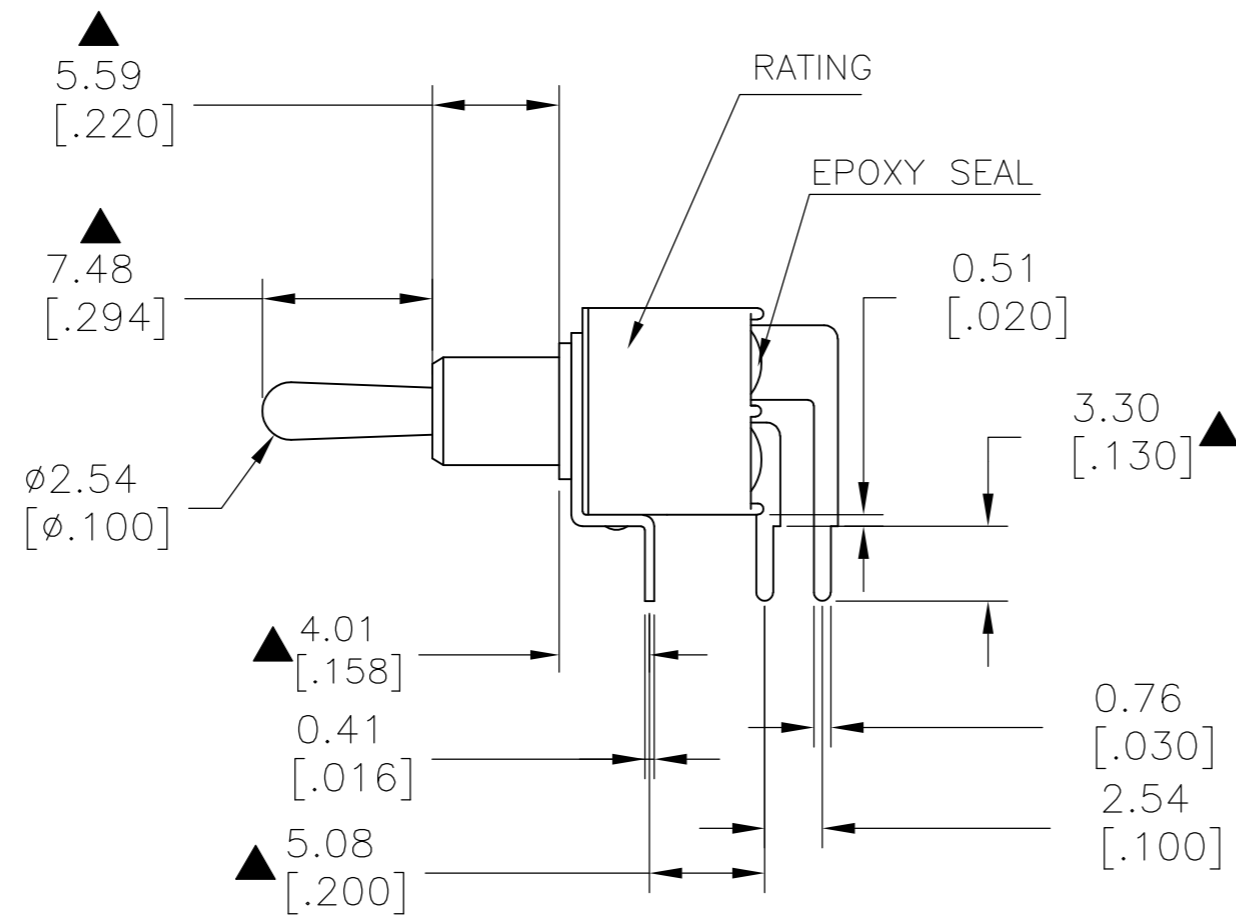
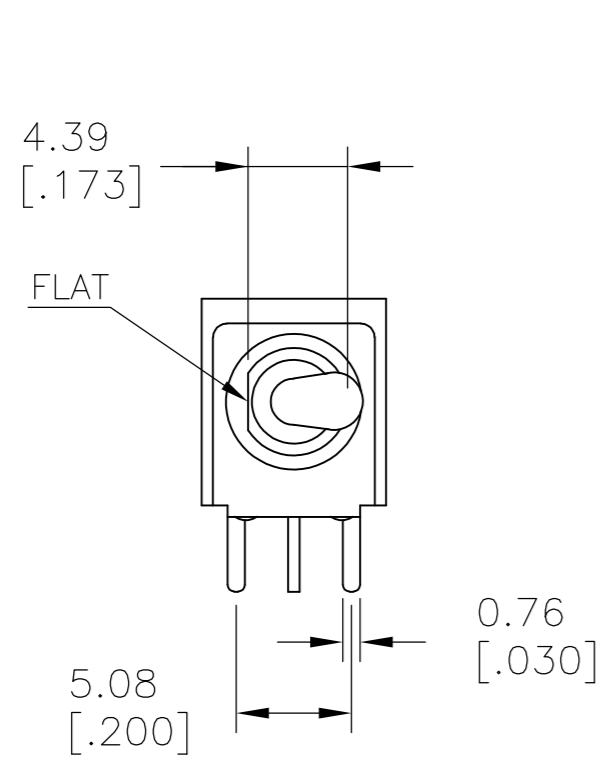
P.C. MOUNTING

LAYOUT FOR PN 2267078-1

THIS DRAWING IS A CONTROLLED DOCUMENT.		DWN 11JUL2014 NAGALAKSHMI K	TE Connectivity	
DIMENSIONS: mm [INCHES]		CHK 11JUL2014 HILL, RYAN		
TOLERANCES UNLESS OTHERWISE SPECIFIED:		APVD 11JUL2014 HILL, RYAN	NAME	
0 PLC $\pm$ -		PRODUCT SPEC	SUBMINIATURE TOGGLE SWITCH	
1 PLC $\pm$ 0.38[.015]		APPLICATION SPEC	SIZE	CAGE CODE
2 PLC $\pm$ 0.25[.010]		WEIGHT	A2	00779
3 PLC $\pm$ -		CUSTOMER DRAWING	DRAWING NO	RESTRICTED TO
4 PLC $\pm$ -		SCALE	C=2267078	-
ANGLES $\pm$ 5°		SHEET	4 of 9	REV
FINISH		REV	A	

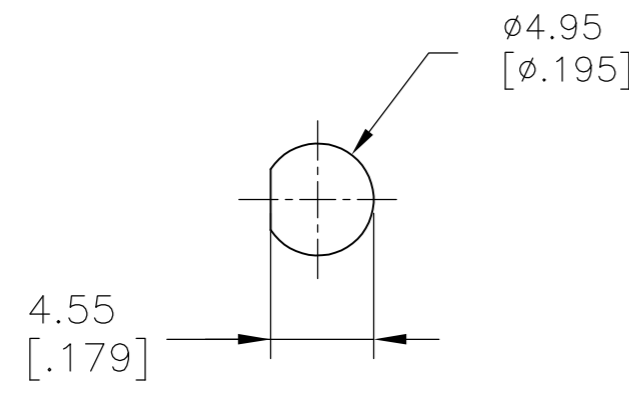
THIS DRAWING IS UNPUBLISHED. RELEASED FOR PUBLICATION  
 © COPYRIGHT - By - ALL RIGHTS RESERVED.

LOC		DIST		REVISIONS			
P	LTR	DESCRIPTION	DATE	DWN	APVD		
-	-	SEE SHEET 1	-	-	-		

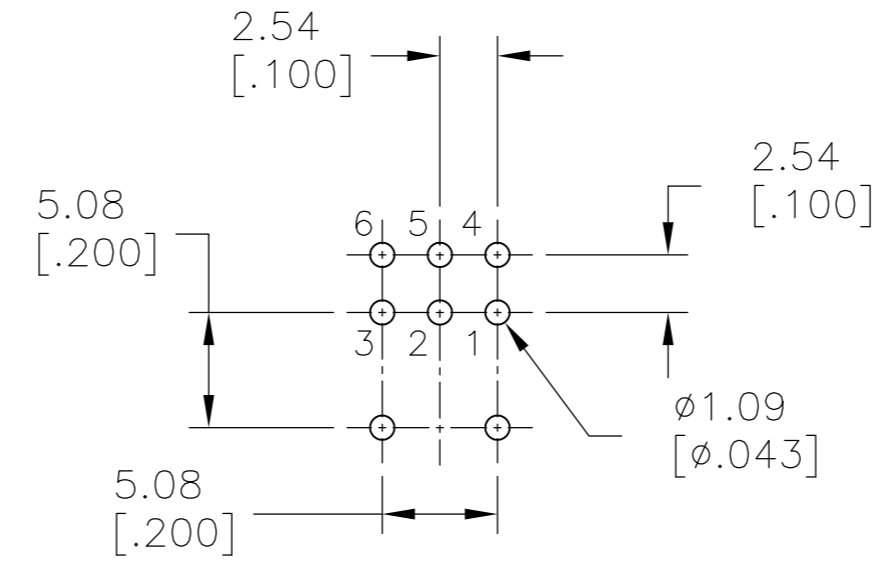


MODEL NO.	POS.1	POS.2	POS.3
TMS	ON	NONE	ON
TERM. COMM.	2-3,5-6	N/A	2-1,5-4
SCHEMATIC		N/A	

SWITCH FUNCTION



PANEL MOUNTING



P.C. MOUNTING

LAYOUT FOR PN 2267078-9

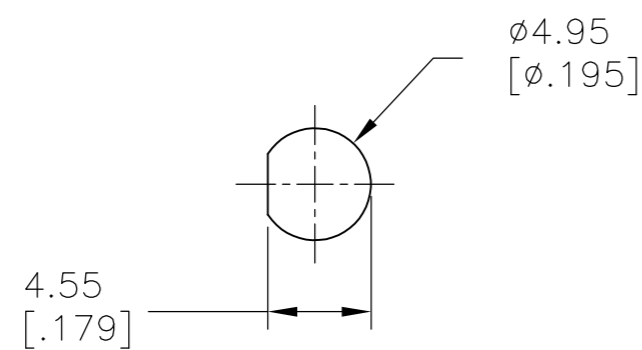
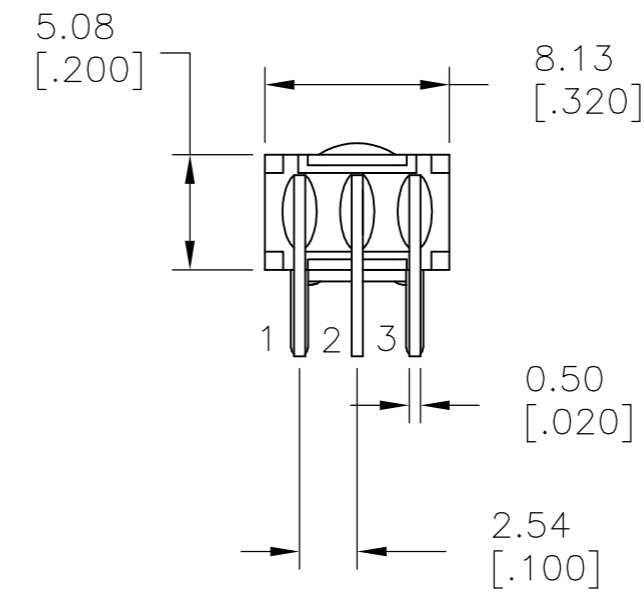
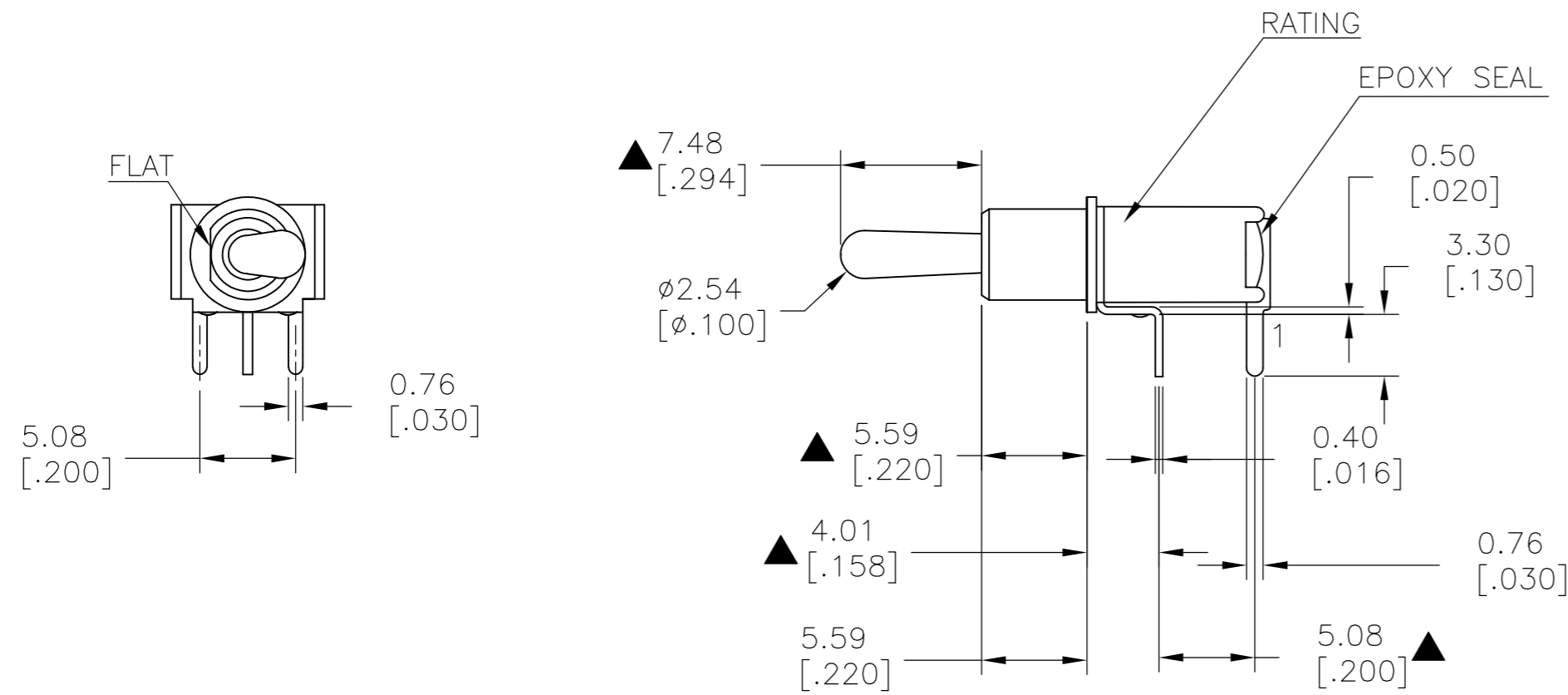
THIS DRAWING IS A CONTROLLED DOCUMENT.		DWN 11JUL2014 NAGALAKSHMI K		
DIMENSIONS: mm [INCHES]		CHK 11JUL2014 HILL, RYAN		
TOLERANCES UNLESS OTHERWISE SPECIFIED:		APVD 11JUL2014 HILL, RYAN	NAME	
0 PLC ± -	1 PLC ± 0.38[.015]	PRODUCT SPEC	SUBMINIATURE TOGGLE SWITCH	
2 PLC ± 0.25[.010]	3 PLC ± -	APPLICATION SPEC	SIZE	CAGE CODE
4 PLC ± -	ANGLES ± 5°	WEIGHT -	A2	00779
MATERIAL -	FINISH -	CUSTOMER DRAWING	DRAWING NO	RESTRICTED TO
		SCALE 3:1	SHEET 5 of 9	REV A

THIS DRAWING IS UNPUBLISHED. RELEASED FOR PUBLICATION  
 © COPYRIGHT - By - ALL RIGHTS RESERVED.

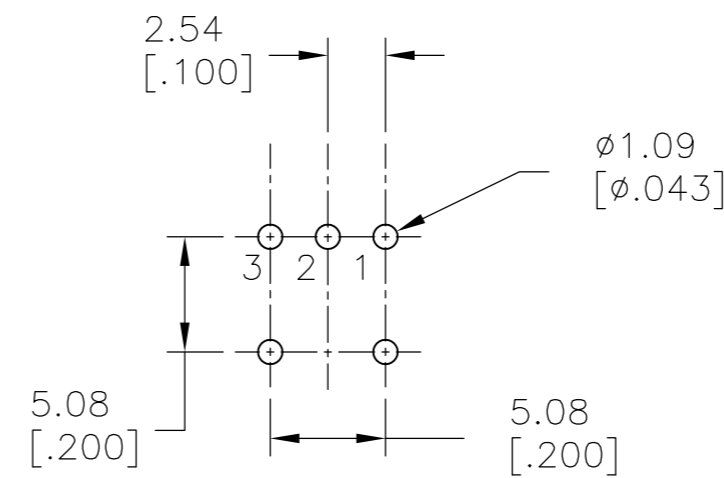
LOC		DIST		REVISIONS			
P	LTR	DESCRIPTION	DATE	DWN	APVD		
-	-	SEE SHEET 1	-	-	-		

MODEL NO.	POS.1	POS.2	POS.3
TMS	ON	NONE	ON
TERM. COMM.	2-3	N/A	2-1
SCHEMATIC			

SWITCH FUNCTION



PANEL MOUNTING



P.C. MOUNTING

LAYOUT FOR PN 2267078-3

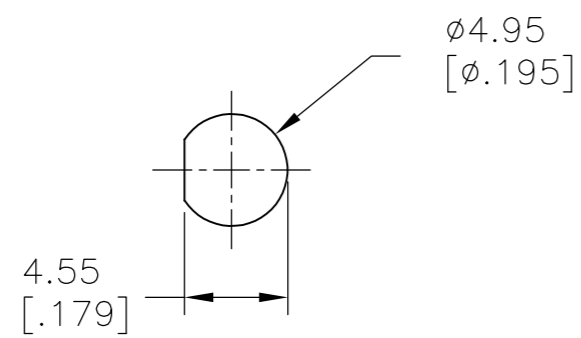
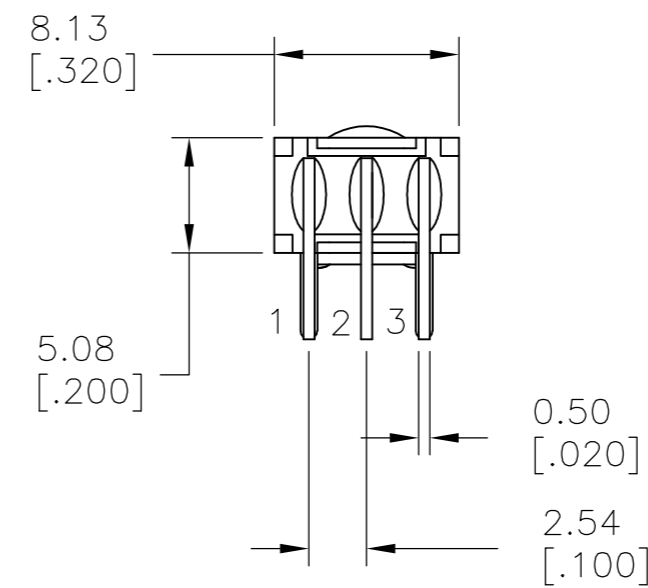
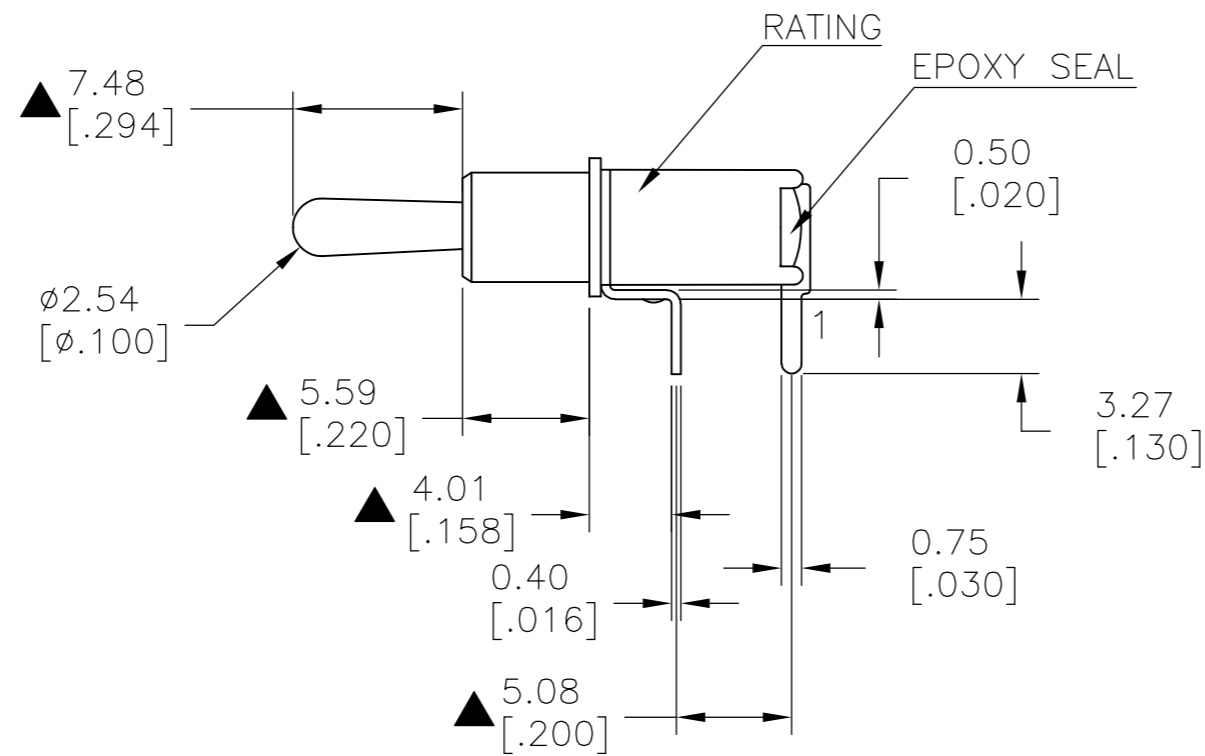
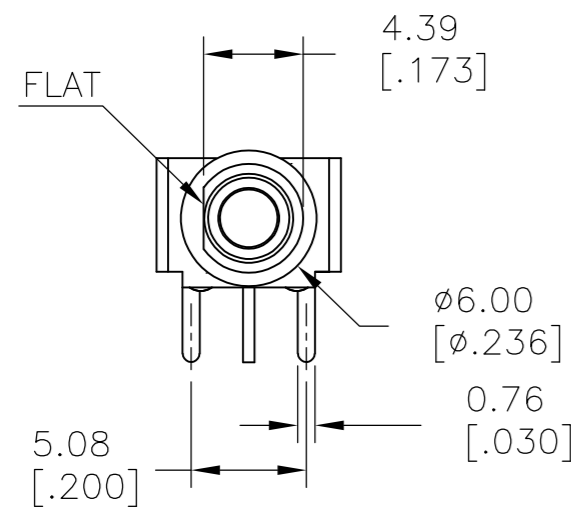
THIS DRAWING IS A CONTROLLED DOCUMENT.		DWN 11JUL2014 NAGALAKSHMI K		
DIMENSIONS: mm [INCHES]		CHK 11JUL2014 HILL, RYAN		
TOLERANCES UNLESS OTHERWISE SPECIFIED:		APVD 11JUL2014 HILL, RYAN	NAME	
0 PLC ± -		PRODUCT SPEC	SUBMINIATURE TOGGLE SWITCH	
1 PLC ± 0.38[.015]		APPLICATION SPEC	SIZE	CAGE CODE
2 PLC ± 0.25[.010]		WEIGHT	A2	00779
3 PLC ± -		CUSTOMER DRAWING	SCALE	DRAWING NO
4 PLC ± -			3:1	C=2267078
ANGLES ± 5°			SHEET	RESTRICTED TO
FINISH			6 of 9	-
			REV	A

THIS DRAWING IS UNPUBLISHED. RELEASED FOR PUBLICATION  
 © COPYRIGHT - By - ALL RIGHTS RESERVED.

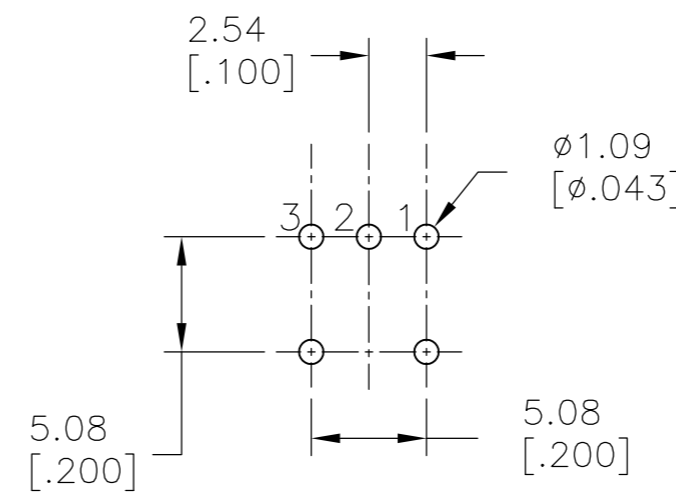
LOC		DIST		REVISIONS			
P	LTR	DESCRIPTION	DATE	DWN	APVD		
-	-	SEE SHEET 1	-	-	-		

MODEL NO.	POS.1	POS.2	POS.3
TMS	ON	NONE	ON
TERM. COMM.	2-3	N/A	2-1
SCHEMATIC			

SWITCH FUNCTION



PANEL MOUNTING



P.C. MOUNTING

LAYOUT FOR PN 2267078-6

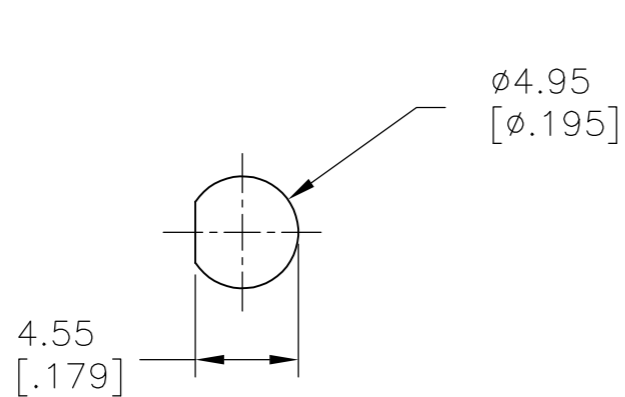
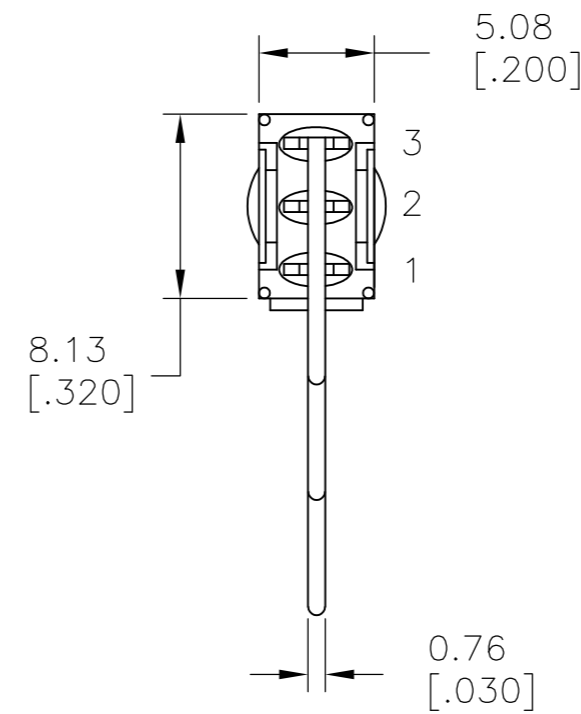
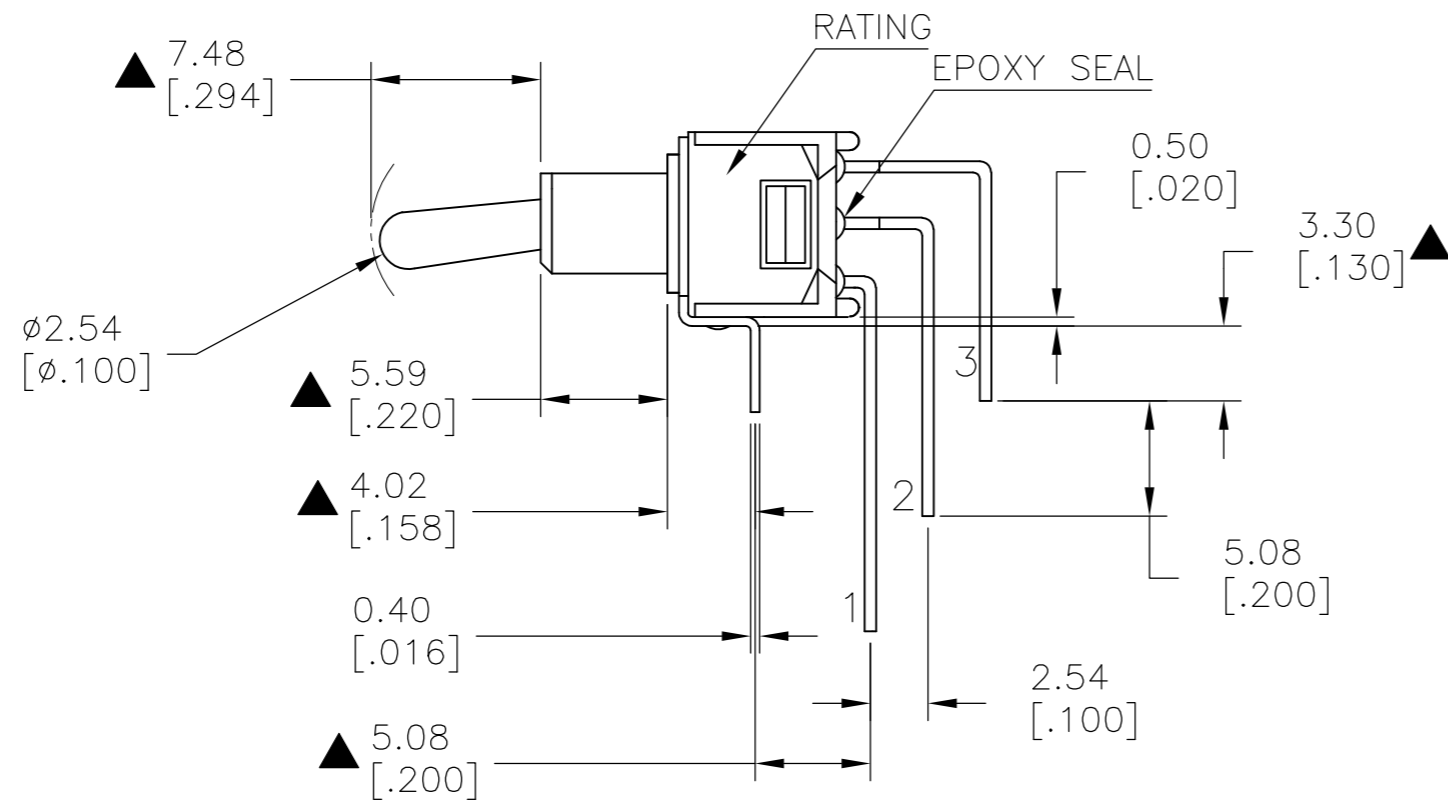
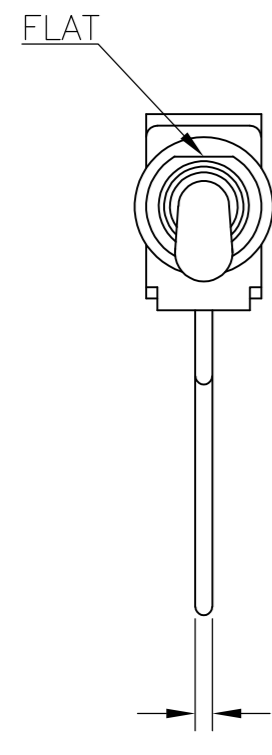
THIS DRAWING IS A CONTROLLED DOCUMENT.		DWN 11JUL2014 NAGALAKSHMI K		
DIMENSIONS: mm [INCHES]		CHK 11JUL2014 HILL, RYAN		
TOLERANCES UNLESS OTHERWISE SPECIFIED:		APVD 11JUL2014 HILL, RYAN	NAME	
0 PLC ± -		PRODUCT SPEC	SUBMINIATURE TOGGLE SWITCH	
1 PLC ± 0.38[.015]		APPLICATION SPEC	SIZE	CAGE CODE
2 PLC ± 0.25[.010]		WEIGHT	A2	00779
3 PLC ± -		CUSTOMER DRAWING	SCALE	DRAWING NO
4 PLC ± -			3:1	C=2267078
ANGLES ± 5°			SHEET	RESTRICTED TO
FINISH			7 of 9	-
			REV	A

THIS DRAWING IS UNPUBLISHED. RELEASED FOR PUBLICATION  
 © COPYRIGHT - By - ALL RIGHTS RESERVED.

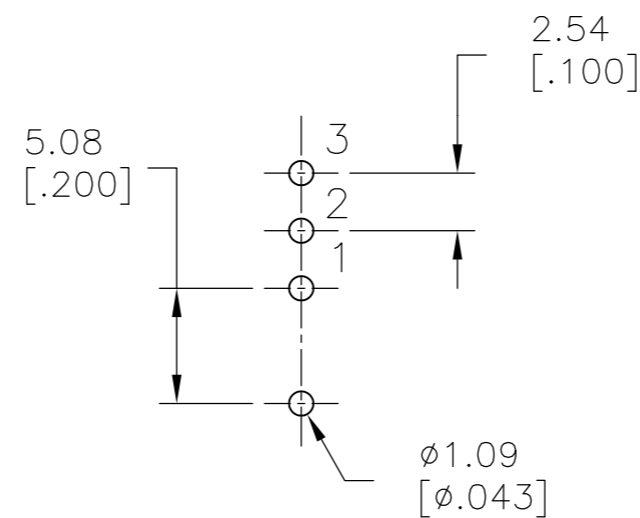
LOC		DIST		REVISIONS			
P	LTR	DESCRIPTION	DATE	DWN	APVD		
-	-	SEE SHEET 1	-	-	-		

MODEL NO.	POS.1	POS.2	POS.3
TMD	ON	NONE	ON
TERM. COMM.	2-3	N/A	2-1
SCHEMATIC			

SWITCH FUNCTION



PANEL MOUNTING



P.C. MOUNTING

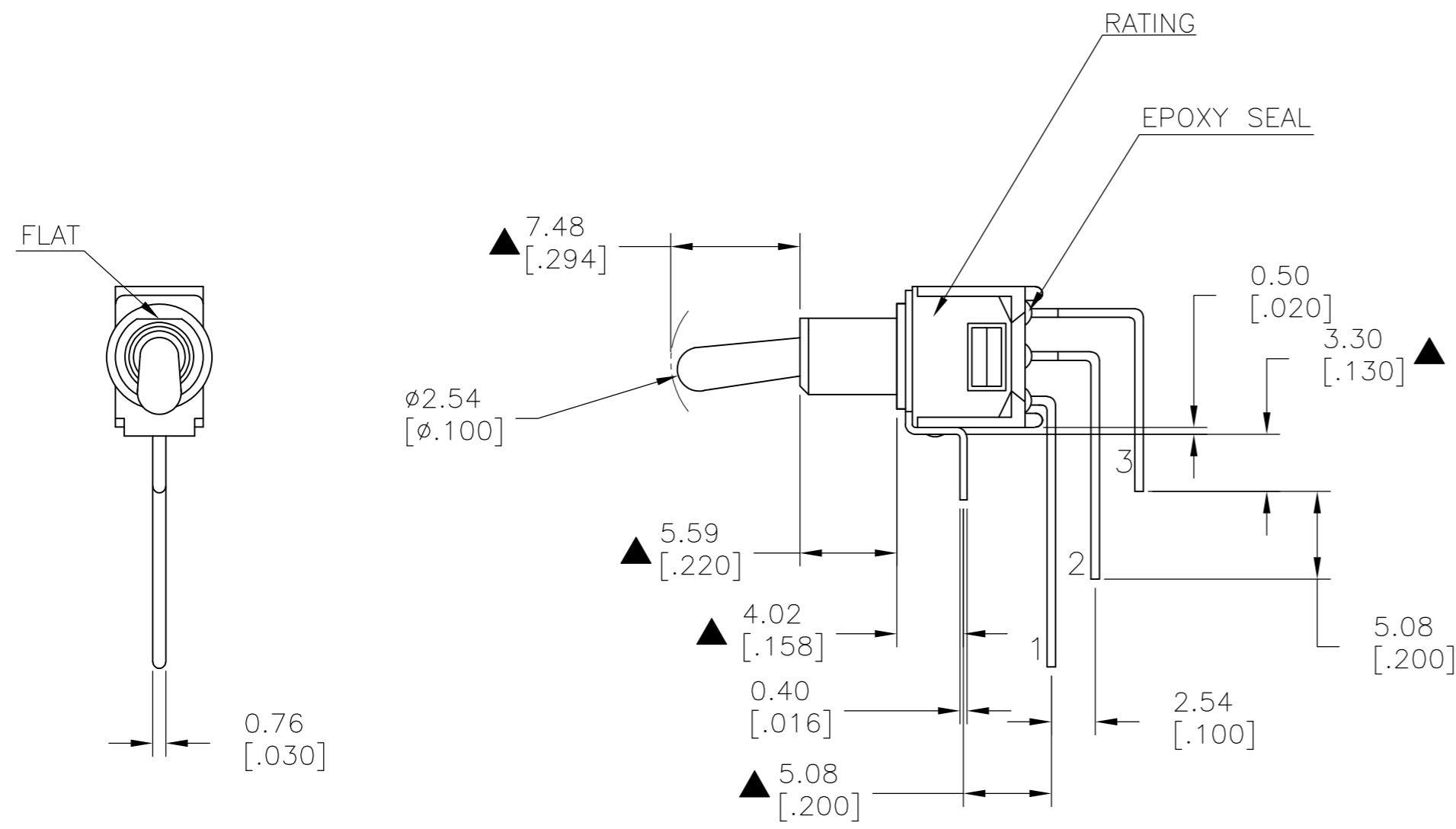
LAYOUT FOR PN 2267078-4

THIS DRAWING IS A CONTROLLED DOCUMENT.		DWN 11JUL2014 NAGALAKSHMI K		
DIMENSIONS: mm [INCHES]		CHK 11JUL2014 HILL, RYAN		
TOLERANCES UNLESS OTHERWISE SPECIFIED:		APVD 11JUL2014 HILL, RYAN	NAME	
0 PLC ± -		PRODUCT SPEC	SUBMINIATURE TOGGLE SWITCH	
1 PLC ± 0.38[0.015]		APPLICATION SPEC	SIZE	CAGE CODE
2 PLC ± 0.25[0.010]		WEIGHT	A2	00779
3 PLC ± -		CUSTOMER DRAWING	DRAWING NO	RESTRICTED TO
4 PLC ± -		SCALE	C=2267078	-
ANGLES ± 5°		SHEET	8 of 9	REV
FINISH		SCALE 3:1		A



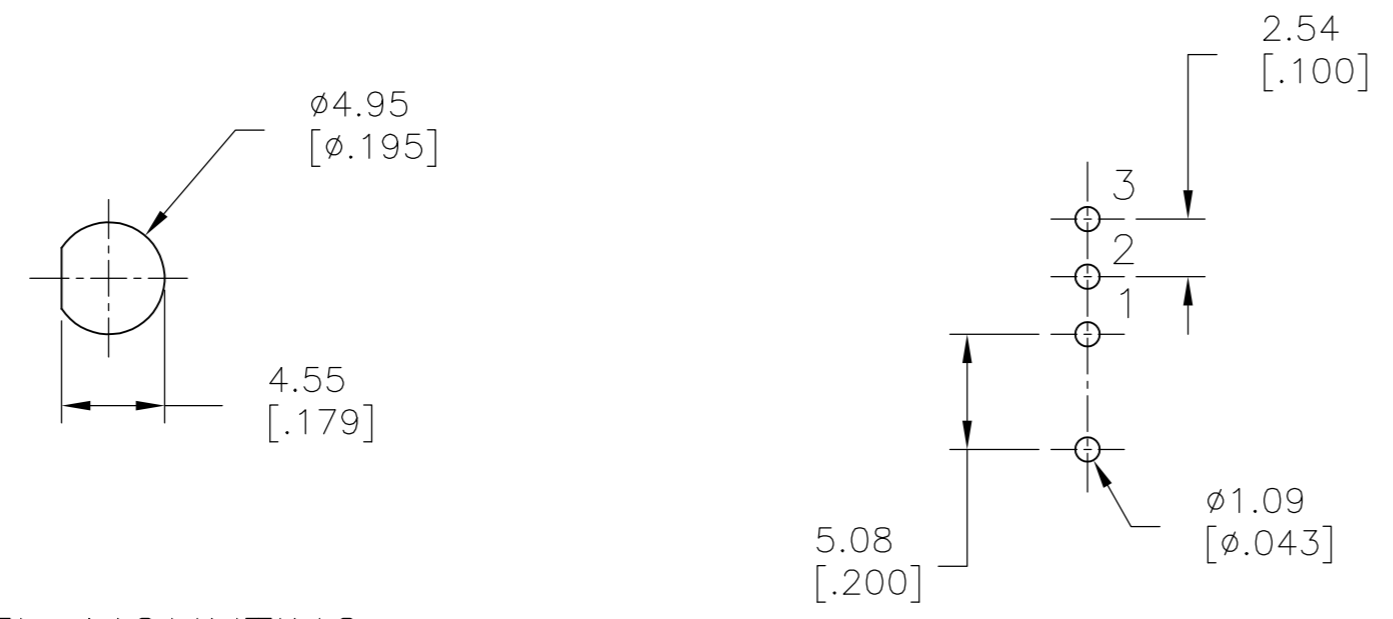
THIS DRAWING IS UNPUBLISHED. RELEASED FOR PUBLICATION  
 © COPYRIGHT - By - ALL RIGHTS RESERVED.

LOC		DIST		REVISIONS			
P	LTR	DESCRIPTION	DATE	DWN	APVD		
-	-	SEE SHEET 1	-	-	-		



MODEL NO.	POS.1	POS.2	POS.3
TMD	ON	OFF	ON
TERM. COMM.	2-3	OPEN	2-1
SCHMATIC		OPEN	

SWITCH FUNCTION



PANEL MOUNTING

P.C. MOUNTING

LAYOUT FOR PN 2267078-7

THIS DRAWING IS A CONTROLLED DOCUMENT.		DWN 11JUL2014 NAGALAKSHMI K	TE Connectivity	
DIMENSIONS: mm [INCHES]		CHK 11JUL2014 HILL, RYAN		
TOLERANCES UNLESS OTHERWISE SPECIFIED:		APVD 11JUL2014 HILL, RYAN	NAME	
0 PLC ± -	1 PLC ± 0.38 [.015]	PRODUCT SPEC	SUBMINIATURE TOGGLE SWITCH	
2 PLC ± 0.25 [.010]	3 PLC ± -	APPLICATION SPEC	SIZE	CAGE CODE
4 PLC ± -	ANGLES ± 5°	FINISH	A2	00779
MATERIAL	FINISH	WEIGHT	SCALE	DRAWING NO
-	-	-	3:1	C=2267078
CUSTOMER DRAWING			SHEET	RESTRICTED TO
			9 of 9	-
			REV	A

2267078

## X-ON Electronics

Largest Supplier of Electrical and Electronic Components

*Click to view similar products for [Toggle Switches](#) category:*

*Click to view products by [TE Connectivity](#) manufacturer:*

Other Similar products are found below :

[A19HV](#) [8A1-C-222](#) [60012L](#) [6006L](#) [6663](#) [7101MD9V30GE](#) [7101SPDV30BE](#) [7103SDV30BE](#) [7105D](#) [7108P3YAV2BE](#) [71YY50282](#)  
[7201MD9AVBE](#) [7301K38](#) [7306K36](#) [7310K36](#) [7314K36](#) [7506K4](#) [7592K6](#) [7691K14](#) [7700K1](#) [8396K108](#) [8824K14](#) [8828K13](#) [G2VX](#) [G3VX](#)  
[PS83-121G](#) [A101MD9AB04](#) [A101SD9AB04](#) [A101SDCQ04](#) [A103SD9AQ04](#) [A107TZB04](#) [A123P32YZQ](#) [A123S1YZG](#) [A127S1YCQ](#) [1-](#)  
[1825192-0](#) [A131S1YZQ](#) [A201SCWZB04](#) [A207SYCB04](#) [A208J61ZQ0004](#) [A221K12KAG](#) [A221S1YZQ](#) [A221T1TCQ](#) [A232K12KZQ](#)  
[A232M1YCQ](#) [A323S1CWZQ](#) [A423S1CWZG-M8](#) [A423S1YZQ](#) [12149A-3V](#) [12156AX408](#) [12147AGKX679](#)