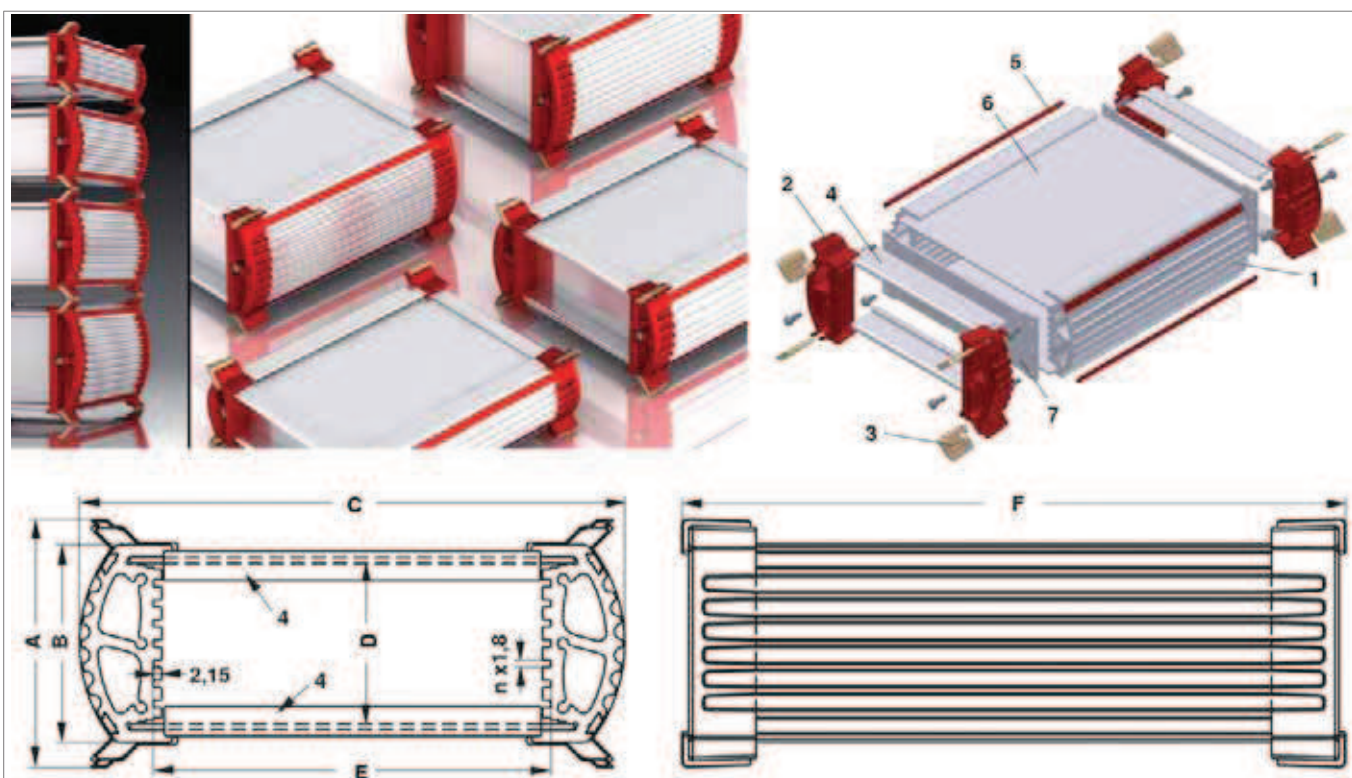


Design case „CHAC“

- modern design case in combination with shock proof plastic cover and integrated, skid resistant standing feet
- variable case due to using 2 mm aluminium panels and extrusion profiles in four different heights
- side panel with integrated guide slots used for application of any guide rail and component
- EMC compatible version due to electrically conductive surface treatment (**TP**) and round cords (Art. No. **LSS 10**)
- further material thicknesses, special designs, colours and treatments as well as modifications upon request
- further case widths and lengths, surface treatments and colours upon request

F = available internal lengths +38 mm

contents of delivery: **1** = 2 x side panel profile; **2** = 4 x plastic frame (**RAL 3000**); **3** = 8 x skid resistant standing feet (**RAL 1001**); **4** = 4 x profiles; **5** = 4 x plastic side panel; **6** = 2 x cover panel (1.5 mm); **7** = 2 x cover plate (2 mm); mounting material



art. no.	dim. [mm]						art. no.	dim. [mm]					
	A	B	C	D	E	n		A	B	C	D	E	n
CC 35 51 ...	47.7	35	84.2	25.5	51.0	4	CC 60 85 ...	72.7	60	123.2	50.5	85.0	9
CC 35 67 ...	47.7	35	100.5	25.5	67.3	4	CC 60 100 ...	72.7	60	138.5	50.5	100.3	9
CC 35 85 ...	47.7	35	118.2	25.5	85.0	4	CC 60 116 ...	72.7	60	154.2	50.5	116.0	9
CC 35 100 ...	47.7	35	133.5	25.5	100.3	4	CC 60 130 ...	72.7	60	168.2	50.5	130.0	9
CC 35 116 ...	47.7	35	149.2	25.5	116.0	4	CC 60 160 ...	72.7	60	198.5	50.5	160.3	9
CC 35 130 ...	47.7	35	163.2	25.5	130.0	4	CC 60 200 ...	72.7	60	238.2	50.5	200.0	9
CC 35 160 ...	47.7	35	193.5	25.5	160.3	4	CC 60 233 ...	72.7	60	271.6	50.5	233.4	9
CC 50 85 ...	62.7	50	121.2	40.5	85.0	7	CC 70 85 ...	82.7	70	125.2	60.5	85.0	11
CC 50 100 ...	62.7	50	136.5	40.5	100.3	7	CC 70 100 ...	82.7	70	140.5	60.5	100.3	11
CC 50 116 ...	62.7	50	152.2	40.5	116.0	7	CC 70 116 ...	82.7	70	156.2	60.5	116.0	11
CC 50 130 ...	62.7	50	166.2	40.5	130.0	7	CC 70 130 ...	82.7	70	170.2	60.5	130.0	11
CC 50 160 ...	62.7	50	196.5	40.5	160.3	7	CC 70 160 ...	82.7	70	200.5	60.5	160.3	11
CC 50 200 ...	62.7	50	236.2	40.5	200.0	7	CC 70 200 ...	82.7	70	240.2	60.5	200.0	11
CC 50 233 ...	62.7	50	269.6	40.5	233.4	7	CC 70 233 ...	82.7	70	273.6	60.5	233.4	11

please indicate:

... lengths
85 100 120 160 200 220 mm

... surface
SA = complete case black anodised
ME = complete case clear anodised
LP = exterior black lacquered, inside chrome-free transp. passivated

Design case Frame
Design case Eurotainer
Combination cases
Design case Rail

→ M 39
→ M 40
→ M 11 - 17
→ M 41

Miniature aluminium case
Euro case
Tube cases with Eurocards
Tube cases

→ M 25 - 29
→ M 9
→ M 23
→ M 21

M 38

A

B

C

D

E

F

G

H

I

K

L

M

N

X-ON Electronics

Largest Supplier of Electrical and Electronic Components

Click to view similar products for [Enclosures, Boxes, & Cases](#) category:

Click to view products by [Fisher](#) manufacturer:

Other Similar products are found below :

[CR-425 PAINTED](#) [585-R-WH-PK](#) [M-10-PLATED](#) [60221-01](#) [60566-01-000](#) [HPL-9VB BATT DOOR](#) [M-16-LID-PLATED](#) [M18-PLTD](#) [M-21-LID-PLATED](#) [M-21-PLATED](#) [M-23-PLATED](#) [CU-281-MB](#) [6711GSKT](#) [71884-29-028](#) [LH45-100 Black](#) [7200B](#) [72868-510-000](#) [CNS-0000 Black](#) [72883-510-000](#) [CNS-0101 Black](#) [72906-510-000](#) [CNS-0407 Black](#) [73091-510-000](#) [CNM-0000-BLACK Kit](#) [73092-510-000](#) [CNM-0101 Black](#) [73108-510-000](#) [CNL-0303 Black](#) [73395-510-039](#) [CNS-0006 Bone](#) [74257-510-000](#) [CNL-0004](#) [MDC-1183-PLAIN-ALUM](#) [MDC-1183-PTD](#) [MDC-13104-PLAIN-ALUM](#) [MDC-211 - PAINTED IVORY/BEIGE](#) [MDC-321-PTD](#) [MDC-432-PLAIN-ALUM](#) [MDC-973-PTD](#) [76](#) [77153-01-028](#) [FLX6030](#) [83535-01-508](#) [PS-11296-G](#) [PS-11298-B](#) [116-508](#) [120-407](#) [120-412](#) [120-909](#) [120-455](#) [R272-100-000](#) [120-910](#) [R501-001-010](#) [R508-080-000](#) [R508-160-000](#) [R530-120-000](#) [R530-122-000](#) [R530-200-000](#) [R531-160-000](#) [R531-200-000](#) [R582-080-100](#)