

Interactive Catalog Supplements Catalog PDFs

If you need detailed product information, or help choosing the right product for your application, see our [Interactive Catalog](#). Use the [Interactive Catalog](#) to access the most complete and up-to-date information available.

The [Interactive Catalog](#) provides an extensive collection of product specifications, application data, and technical literature that can be searched based on criteria you select.

This PDF catalog information was published in November 2000.



Sensing and Control
[Interactive Catalog...](#)

**Click this icon to try
the Interactive Catalog.**

Sensing and Control

Honeywell Inc.

11 West Spring Street

Freeport, IL 61032

Plunger actuator switches bushing mount through $\frac{3}{4}$ inch (19,1mm) diameter holes. Lock washer, keying washer, and wire lock hexagon mounting nuts lock the switches in their mounting.

Rotary actuator switches mount through $\frac{15}{32}$ inch (11,9mm) diameter holes. A lock washer, wire lock hexagon nut, and locating pins on the top of the housing prevent switch rotation.

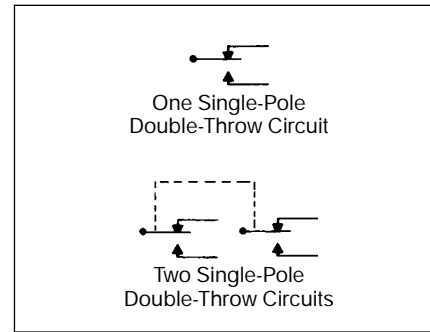
ACTUATORS

Plunger

For in-line actuation. An ice scraper ring clears the actuator with each operation. Material is stainless steel.

Roller plunger

For cam and slide actuation not to exceed 20° rise. Roller adjusts laterally in 45° increments. An ice scraper ring cleans the actuator with each operation. Material is stainless steel.

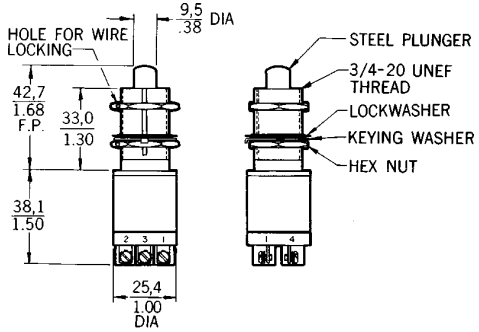


Notes:
 1 Screw terminals are 4-48 NF x .188 inch screw with sems washers. Leadwire terminals are 6 foot (1,8mm).
 2 Meets MIL-S-8805/41 specification.

MOUNTING DIMENSIONS (For reference only)

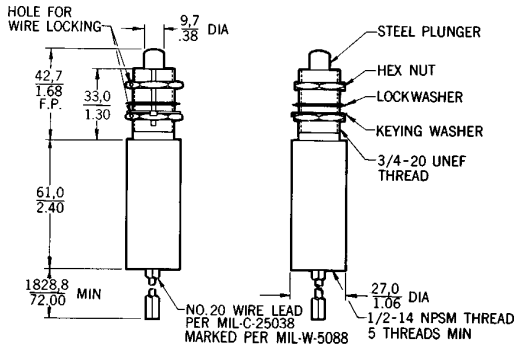
12HR1-S

Fig. 1



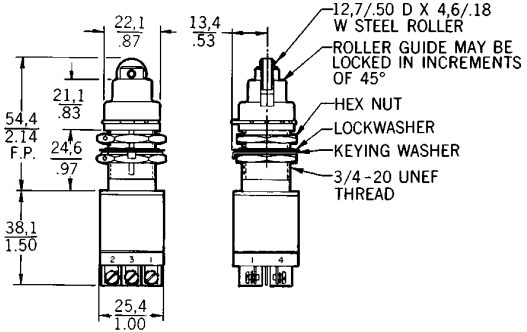
12HR8-6

Fig. 3



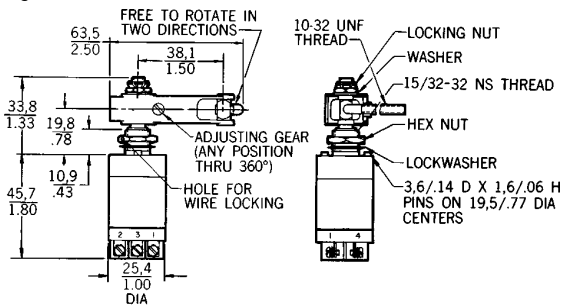
22HR1-2

Fig. 2



41HR1-S

Fig. 4



Key: $\frac{0,0}{0.00} = \frac{\text{mm}}{\text{inches}}$

X-ON Electronics

Largest Supplier of Electrical and Electronic Components

Click to view similar products for [Basic / Snap Action Switches](#) category:

Click to view products by [Honeywell](#) manufacturer:

Other Similar products are found below :

[83228001](#) [01.098.1358.1](#) [602EN1-6B](#) [602EN532](#) [602EN535-RB](#) [602HE5-RB1](#) [604HE162](#) [604HE223-6B](#) [624HE17-RB](#) [6HM89](#) [6PA78-JM](#)
[6SE1](#) [6SX1-H58](#) [70500840](#) [MBD5B1](#) [MBH2731](#) [73-316-0012](#) [79211759](#) [79211923](#) [79218589](#) [7AS12](#) [ML-1155](#) [ML-1376](#) [831010C3.0](#)
[831060C3.TL](#) [831090C2.EL](#) [83131904](#) [84212012](#) [8AS239](#) [8HM73-3](#) [903VB1-PG](#) [914CE1-6G](#) [PL-100](#) [11SM1077-H4](#) [11SM1077-H58](#)
[11SM1-TN107](#) [11SM405](#) [11SM703-T](#) [11SM8423-H2](#) [11SX37-T](#) [11SX48-H58](#) [11SX55-H58](#) [11SM2442-T](#) [11SM76-T](#) [11SM77-H58](#)
[11SM77-T](#) [11SM863-T](#) [11SM866](#) [11SX47-H58](#) [A7CN-1M-1-LEFT](#)