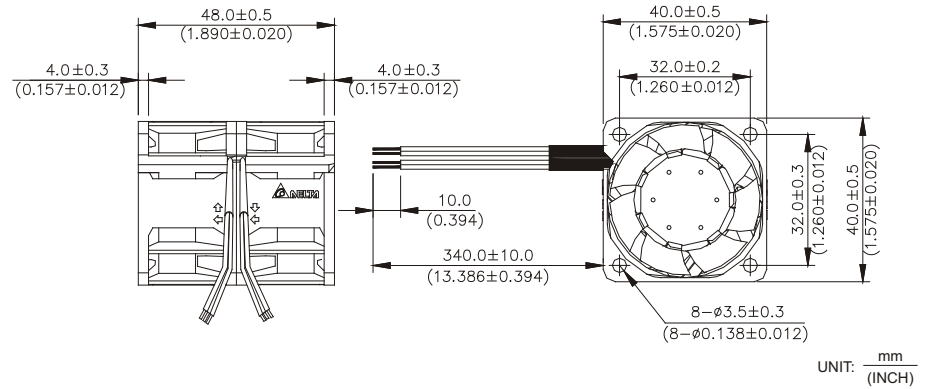


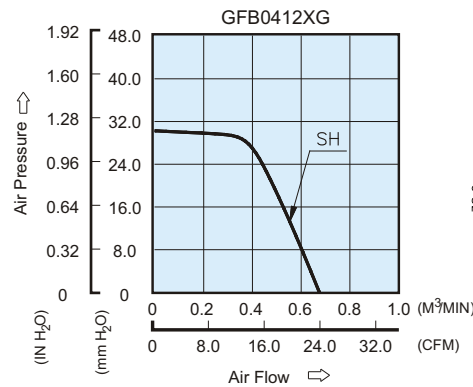
GFB 40 x 40 x 48 MM SERIES

DIMENSIONS DRAWING

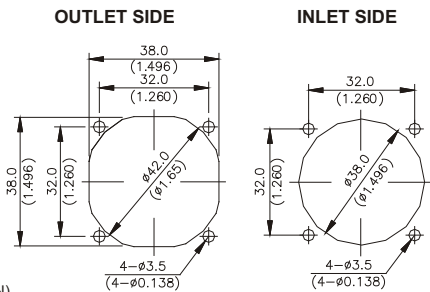


- * Bearing Type
Ball Bearings
- * Material
Impeller & Frame : Plastic(UL 94V-0)
- * Lead Wires :
UL 1061 AWG #24 OR Equivalent
Red Wire Positive(+)
Black Wire Negative(-)
- * Weight : 75g (2.65 OZ)

P & Q CURVE (AT RATED VOLTAGE)



MOUNTING PANEL CUTOUT



| MODEL | | Rated Voltage | Operating Voltage Range | Rated Current | Rated Input Power | Speed (Front /Rear) | Maximum Air Flow | | Maximum Air Pressure | | Noise |
|------------|-------------|---------------|-------------------------|---------------|-------------------|---------------------|---------------------|-------|----------------------|---------------------|-------|
| PART NO. | FUNCTION | VDC | VDC | Amp | Watt | R.P.M. | M ³ /min | CFM | mmH ₂ O | IN H ₂ O | dB-A |
| GFB0412SHG | -R00 / -F00 | 12 | 7.0 to 13.2 | 0.85 | 10.20 | 12000/10600 | 0.678 | 24.00 | 30.48 | 1.200 | 60.0 |

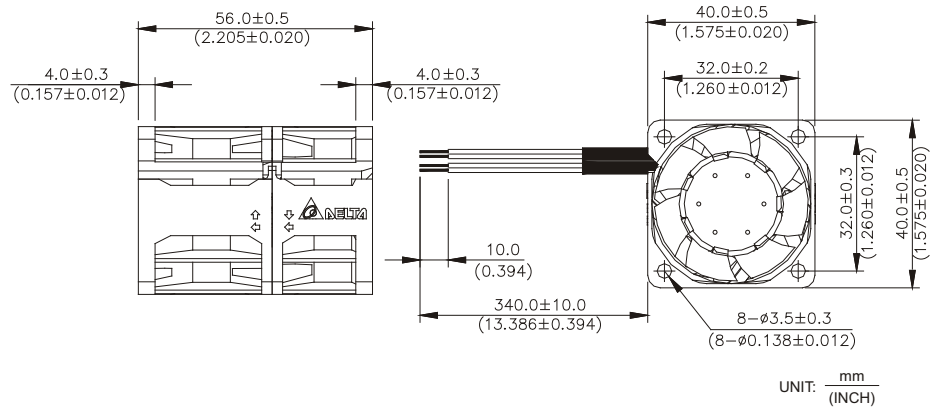
* Function type is optional.
 * The max. air flow and the speed are measured in free air ; max. air pressure is measured at zero air flow.
 * Noise is measured in anechoic chamber in free air, one meter from intake side.
 * All readings are typical values at rated voltage.
 * Specifications are subject to change without notice.

New



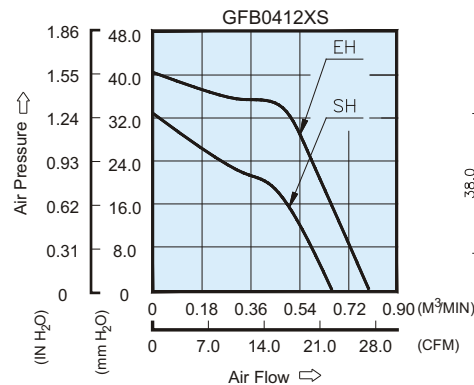
GFB 40 x 40 x 56 MM SERIES

DIMENSIONS DRAWING

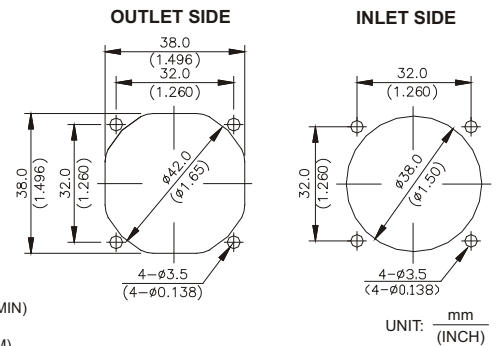


- * Bearing Type
Ball Bearings
- * Material
Impeller & Frame : Plastic(UL 94V-0)
- * Lead Wires :
UL 1061 AWG #24 OR Equivalent
Red Wire Positive(+)
Black Wire Negative(-)
- * Weight : 80g (2.83 OZ)

P & Q CURVE (AT RATED VOLTAGE)



MOUNTING PANEL CUTOUT



| MODEL | | Rated Voltage | Operating Voltage Range | Rated Current | Rated Input Power | Speed (Front /Rear) | Maximum Air Flow | | Maximum Air Pressure | | Noise |
|------------|-------------|---------------|-------------------------|---------------|-------------------|---------------------|---------------------|-------|----------------------|---------------------|-------|
| PART NO. | FUNCTION | VDC | VDC | Amp | Watt | R.P.M. | m ³ /min | CFM | mmH ₂ O | IN H ₂ O | dB-A |
| GFB0412SHS | -R00 / -F00 | 12 | 7.0 to 13.2 | 0.72 | 8.64 | 14000/6000 | 0.662 | 23.42 | 32.85 | 1.293 | 56.0 |
| GFB0412EHS | -R00 / -F00 | 12 | 7.0 to 13.2 | 1.25 | 15.00 | 15000/11200 | 0.770 | 27.30 | 41.33 | 1.630 | 59.5 |

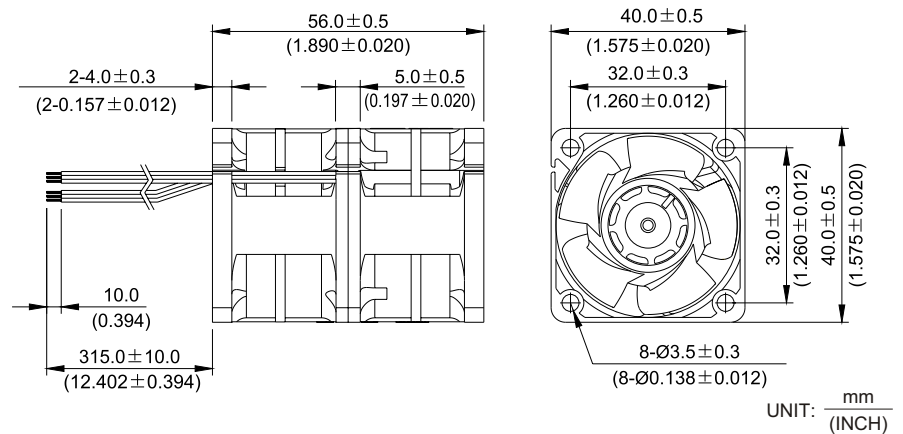
* Function type is optional.
 * The max. air flow and the speed are measured in free air ; max. air pressure is measured at zero air flow.
 * Noise is measured in anechoic chamber in free air, one meter from intake side.
 * All readings are typical values at rated voltage.
 * Specifications are subject to change without notice.

New



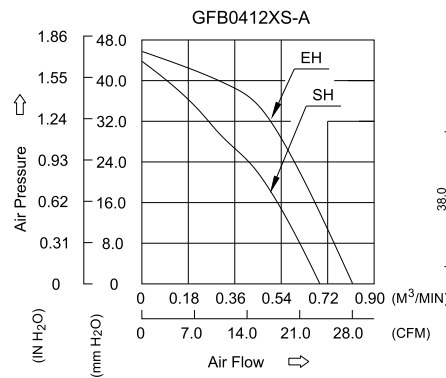
GFB 40 x 40 x 56 MM SERIES

■ DIMENSIONS DRAWING

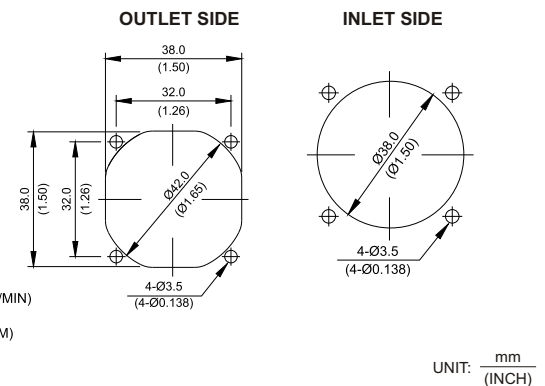


- * Bearing Type
Ball Bearings
- * Material
Impeller & Frame: Plastic (UL94V-0)
- * Lead Wires : UL 1061 AWG#26
OR Equivalent
Red Wire Positive (+)
Black Wire Negative (-)
- * Weight : 84g (2.96 oz)

■ P & Q CURVE (AT RATED VOLTAGE)



■ MOUNTING PANEL CUTOUT

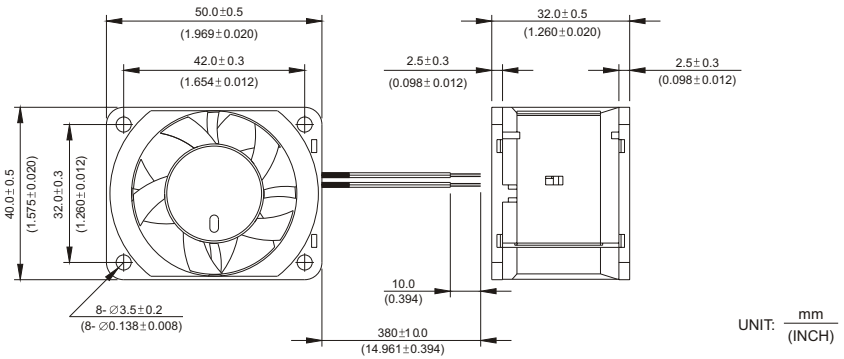


| MODEL | | | Rated Voltage | Operating Voltage Range | Rated Current | Rated Input Power | Speed (Front /Rear) | Maximum Air Flow | | Maximum Air Pressure | | Noise |
|------------|------|-------------|---------------|-------------------------|---------------|-------------------|---------------------|---------------------|-------|----------------------|---------------------|-------|
| PART NO. | REV. | FUNCTION | VDC | VDC | Amp | Watt | R.P.M. | m ³ /min | CFM | mmH ₂ O | IN H ₂ O | dB-A |
| GFB0412SHS | -A | -R00 / -F00 | 12 | 7.0 to 13.2 | 1.02 | 12.24 | 16200/7800 | 0.659 | 23.29 | 44.41 | 1.748 | 58.5 |
| GFB0412EHS | -A | -R00 / -F00 | 12 | 7.0 to 13.2 | 1.40 | 16.80 | 16200/12000 | 0.762 | 26.92 | 45.76 | 1.802 | 62.5 |

* Function type is optional.
 * The max. air flow and the speed are measured in free air ; max. air pressure is measured at zero air flow.
 * Noise is measured in anechoic chamber in free air, one meter from intake side.
 * All readings are typical values at rated voltage.
 * Specifications are subject to change without notice.

GFB 40 x 50 x 32 MM SERIES

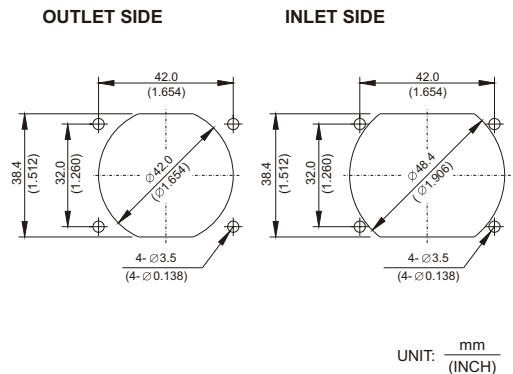
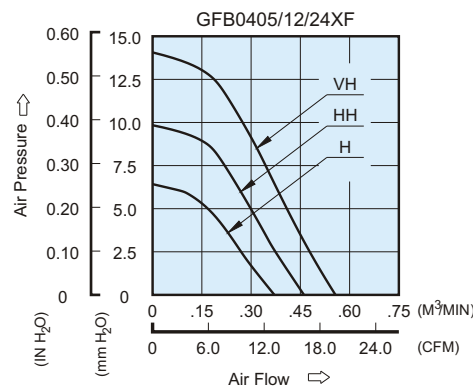
DIMENSIONS DRAWING



- * Bearing Type
Ball Bearings
- * Material
Impeller & Frame : Plastic(UL 94V-0)
- * Lead Wires :
UL 1061 AWG #24 OR Equivalent
Red Wire Positive(+)
Black Wire Negative(-)
- * Weight : 45g (1.59 OZ)

P & Q CURVE (AT RATED VOLTAGE)

MOUNTING PANEL CUTOUT

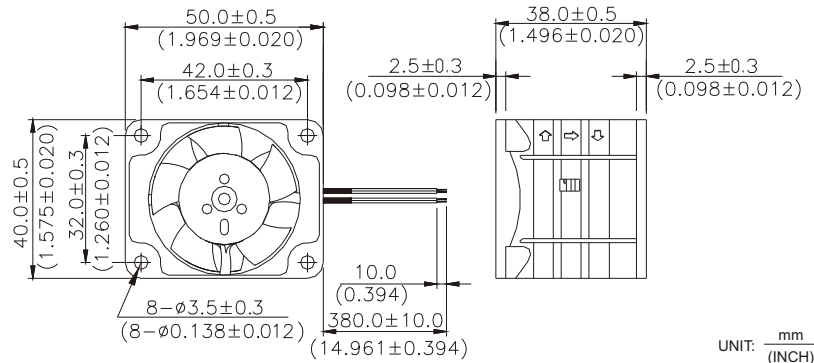


| MODEL | | Rated Voltage | Operating Voltage Range | Rated Current | Rated Input Power | Speed (Front /Rear) | Maximum Air Flow | | Maximum Air Pressure | | Noise |
|------------|-------------|---------------|-------------------------|---------------|-------------------|---------------------|---------------------|-------|----------------------|---------------------|-------|
| PART NO. | FUNCTION | VDC | VDC | Amp | Watt | R.P.M. | m ³ /min | CFM | mmH ₂ O | IN H ₂ O | dB-A |
| GFB0405HF | -R00 / -F00 | 5 | 4.5 to 5.5 | 0.36 | 1.80 | 6500/6200 | 0.371 | 13.10 | 6.42 | 0.253 | 41.0 |
| GFB0412HF | -R00 / -F00 | 12 | 7.0 to 13.2 | 0.14 | 1.68 | | | | | | |
| GFB0424HF | -R00 / -F00 | 24 | 14.0 to 26.4 | 0.12 | 2.88 | | | | | | |
| GFB0405HHF | -R00 / -F00 | 5 | 4.5 to 5.5 | 0.66 | 3.30 | 8000/7650 | 0.461 | 16.28 | 9.84 | 0.387 | 46.5 |
| GFB0412HHF | -R00 / -F00 | 12 | 7.0 to 13.2 | 0.23 | 2.76 | | | | | | |
| GFB0424HHF | -R00 / -F00 | 24 | 14.0 to 26.4 | 0.16 | 3.84 | | | | | | |
| GFB0412VHF | -R00 / -F00 | 12 | 7.0 to 13.2 | 0.36 | 4.32 | 9500/9100 | 0.557 | 19.67 | 14.06 | 0.554 | 51.5 |
| GFB0424VHF | -R00 / -F00 | 24 | 14.0 to 26.4 | 0.22 | 5.28 | | | | | | |

* Function type is optional.
 * The max. air flow and the speed are measured in free air ; max. air pressure is measured at zero air flow.
 * Noise is measured in anechoic chamber in free air, one meter from intake side.
 * All readings are typical values at rated voltage.
 * Specifications are subject to change without notice.

GFB 40 x 50 x 38 MM SERIES

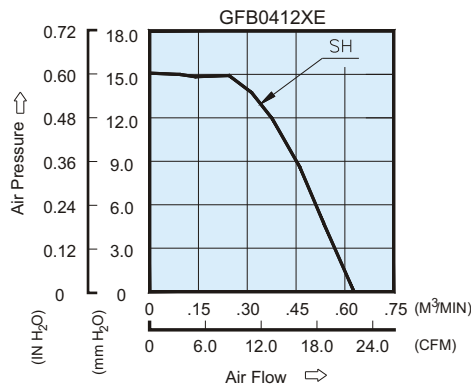
DIMENSIONS DRAWING



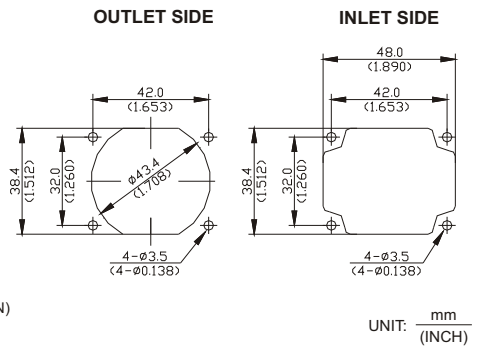
UNIT: mm (INCH)

- * Bearing Type
Ball Bearings
- * Material
Impeller & Frame : Plastic(UL 94V-0)
- * Lead Wires :
UL 1061 AWG #24 OR Equivalent
Red Wire Positive(+)
Black Wire Negative(-)
- * Weight : 50g (1.766 OZ)

P & Q CURVE (AT RATED VOLTAGE)



MOUNTING PANEL CUTOUT



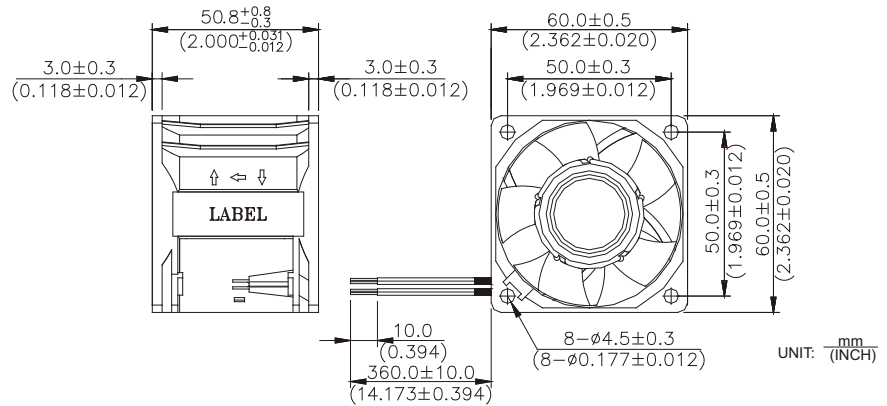
UNIT: mm (INCH)

| MODEL | | Rated Voltage | Operating Voltage Range | Rated Current | Rated Input Power | Speed (Front /Rear) | Maximum Air Flow | | Maximum Air Pressure | | Noise |
|------------|-------------|---------------|-------------------------|---------------|-------------------|---------------------|---------------------|-------|----------------------|---------------------|-------|
| PART NO. | FUNCTION | VDC | VDC | Amp | Watt | R.P.M. | m ³ /min | CFM | mmH ₂ O | IN H ₂ O | dB-A |
| GFB0412SHE | -R00 / -F00 | 12 | 7.0 to 13.2 | 0.56 | 6.72 | 10000/9600 | 0.630 | 22.25 | 15.09 | 0.594 | 57.5 |

* Function type is optional.
 * The max. air flow and the speed are measured in free air ; max. air pressure is measured at zero air flow.
 * Noise is measured in anechoic chamber in free air, one meter from intake side.
 * All readings are typical values at rated voltage.
 * Specifications are subject to change without notice.

GFB 60 x 60 x 50.8 MM SERIES

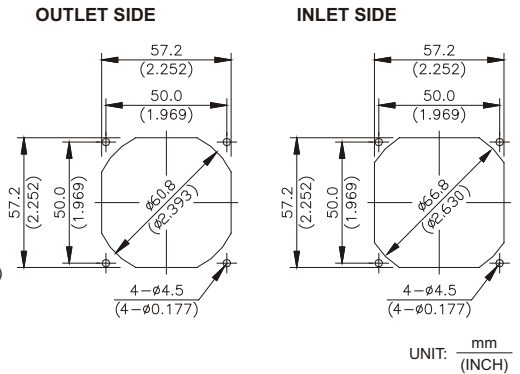
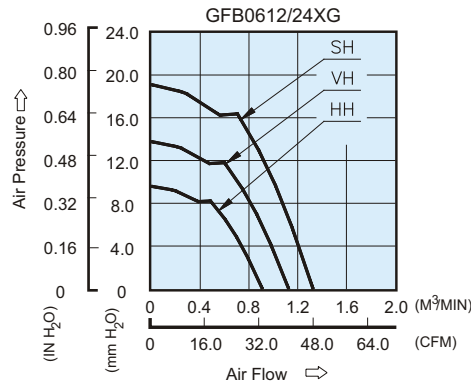
DIMENSIONS DRAWING



- * Bearing Type
Ball Bearings
- * Material
Impeller & Frame : Plastic(UL 94V-0)
- * Lead Wires :
UL 1061 AWG #24 OR Equivalent
Red Wire Positive(+)
Black Wire Negative(-)
- * Weight : 125g (4.41 OZ)

P & Q CURVE (AT RATED VOLTAGE)

MOUNTING PANEL CUTOUT

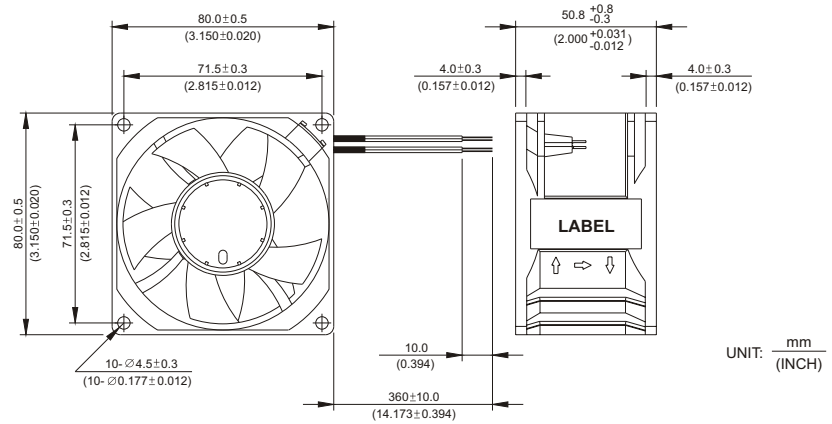


| MODEL | | Rated Voltage | Operating Voltage Range | Rated Current | Rated Input Power | Speed (Front/Rear) | Maximum Air Flow | | Maximum Air Pressure | | Noise |
|------------|-------------|---------------|-------------------------|---------------|-------------------|--------------------|---------------------|-------|----------------------|---------------------|-------|
| PART NO. | FUNCTION | VDC | VDC | Amp | Watt | R.P.M. | m ³ /min | CFM | mmH ₂ O | IN H ₂ O | dB-A |
| GFB0612HHG | -R00 / -F00 | 12 | 7.0 to 13.8 | 0.43 | 5.16 | 5000/4600 | 0.910 | 32.14 | 9.59 | 0.378 | 50.5 |
| GFB0624HHG | -R00 / -F00 | 24 | 14.0 to 27.6 | 0.20 | 4.80 | 6000/5500 | 1.126 | 39.76 | 13.78 | 0.543 | 54.0 |
| GFB0612VHG | -R00 / -F00 | 12 | 7.0 to 13.8 | 0.62 | 7.44 | | | | | | |
| GFB0624VHG | -R00 / -F00 | 24 | 14.0 to 27.6 | 0.28 | 6.72 | 7000/6450 | 1.326 | 46.83 | 19.10 | 0.752 | 58.0 |
| GFB0612SHG | -R00 / -F00 | 12 | 7.0 to 13.8 | 0.82 | 9.84 | | | | | | |

* Function type is optional.
 * The max. air flow and the speed are measured in free air ; max. air pressure is measured at zero air flow.
 * Noise is measured in anechoic chamber in free air, one meter from intake side.
 * All readings are typical values at rated voltage.
 * Specifications are subject to change without notice.

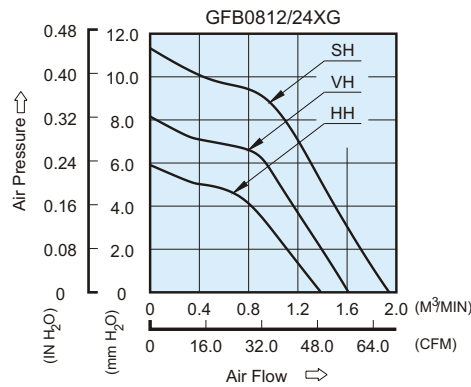
GFB 80 x 80 x 50.8 MM SERIES

DIMENSIONS DRAWING

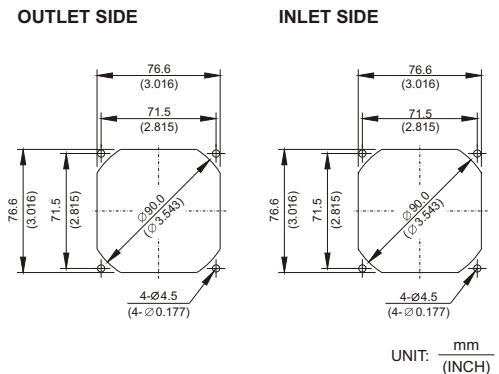


- * Bearing Type
Ball Bearings
- * Material
Impeller & Frame : Plastic(UL 94V-0)
- * Lead Wires :
UL 1061 AWG #24 OR Equivalent
Red Wire Positive(+)
Black Wire Negative(-)
- * Weight : 165g (5.82 OZ)

P & Q CURVE (AT RATED VOLTAGE)



MOUNTING PANEL CUTOUT

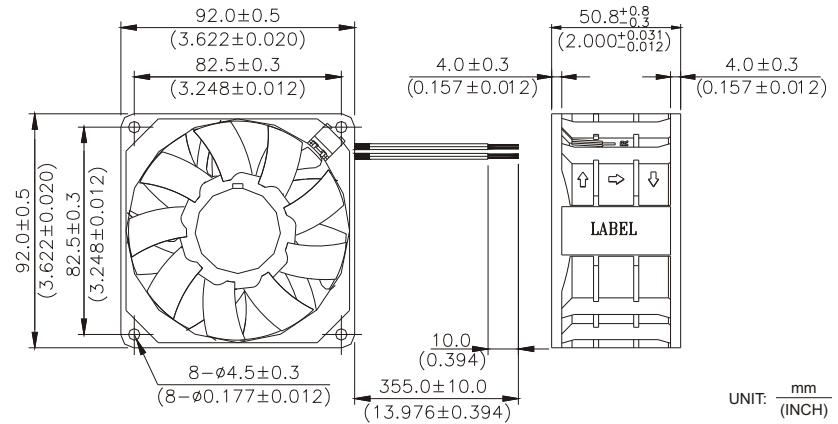


| MODEL | | Rated Voltage | Operating Voltage Range | Rated Current | Rated Input Power | Speed (Front/Rear) | Maximum Air Flow | | Maximum Air Pressure | | Noise |
|------------|-------------|---------------|-------------------------|---------------|-------------------|--------------------|---------------------|-------|----------------------|---------------------|-------|
| PART NO. | FUNCTION | VDC | VDC | Amp | Watt | R.P.M. | m ³ /min | CFM | mmH ₂ O | IN H ₂ O | dB-A |
| GFB0812HHG | -R00 / -F00 | 12 | 7.0 to 13.2 | 0.31 | 3.72 | 3100/2900 | 1.388 | 49.02 | 5.91 | 0.233 | 43.0 |
| GFB0824HHG | -R00 / -F00 | 24 | 14.0 to 27.6 | 0.18 | 4.32 | | | | | | |
| GFB0812VHG | -R00 / -F00 | 12 | 7.0 to 13.2 | 0.47 | 5.64 | 3600/3260 | 1.612 | 56.93 | 8.15 | 0.321 | 47.5 |
| GFB0824VHG | -R00 / -F00 | 24 | 14.0 to 27.6 | 0.24 | 5.76 | | | | | | |
| GFB0812SHG | -R00 / -F00 | 12 | 7.0 to 13.2 | 0.73 | 8.76 | 4200/3750 | 1.942 | 68.58 | 11.32 | 0.445 | 53.0 |
| GFB0824SHG | -R00 / -F00 | 24 | 14.0 to 27.6 | 0.37 | 8.88 | | | | | | |

* Function type is optional.
 * The max. air flow and the speed are measured in free air ; max. air pressure is measured at zero air flow.
 * Noise is measured in anechoic chamber in free air, one meter from intake side.
 * All readings are typical values at rated voltage.
 * Specifications are subject to change without notice.

GFB 92 x 92 x 50.8 MM SERIES

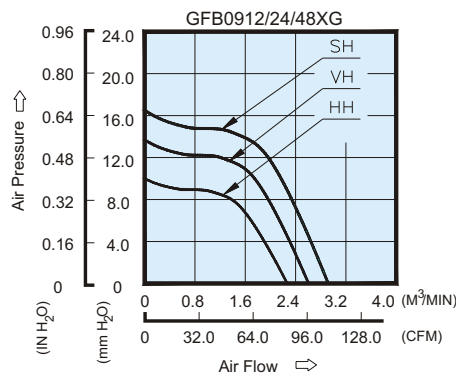
DIMENSIONS DRAWING



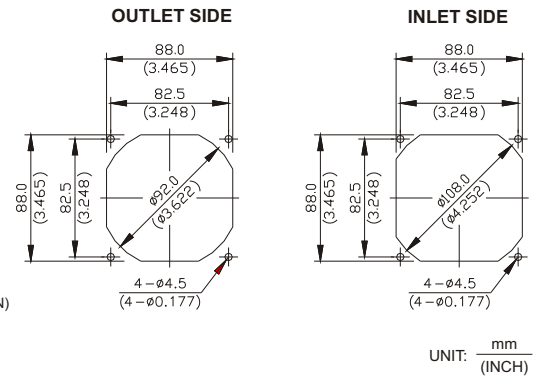
UNIT: mm (INCH)

- * Bearing Type
Ball Bearings
- * Material
Impeller & Frame : Plastic (UL 94V-0)
- * Lead Wires :
UL 1061 AWG #24 OR Equivalent
Red Wire Positive (+)
Black Wire Negative (-)
- * Weight : 265g (9.35 oz)

P & Q CURVE (AT RATED VOLTAGE)



MOUNTING PANEL CUTOUT



UNIT: mm (INCH)

| MODEL | | Rated Voltage | Operating Voltage Range | Rated Current | Rated Input Power | Speed (Front/Rear) | Maximum Air Flow | | Maximum Air Pressure | | Noise |
|------------|-------------|---------------|-------------------------|---------------|-------------------|--------------------|---------------------|--------|----------------------|---------------------|-------|
| PART NO. | FUNCTION | VDC | VDC | Amp | Watt | R.P.M. | m ³ /min | CFM | mmH ₂ O | IN H ₂ O | dB-A |
| GFB0912HHG | -R00 / -F00 | 12 | 7.0 to 13.8 | 0.70 | 8.40 | 3200/2950 | 2.260 | 79.81 | 9.63 | 0.379 | 55.5 |
| GFB0924HHG | -R00 / -F00 | 24 | 14.0 to 27.6 | 0.47 | 11.28 | | | | | | |
| GFB0948HHG | -R00 / -F00 | 48 | 28.0 to 56.0 | 0.21 | 10.08 | | | | | | |
| GFB0912VHG | -R00 / -F00 | 12 | 7.0 to 13.8 | 1.02 | 12.24 | 3700/3450 | 2.600 | 91.82 | 12.83 | 0.505 | 59.0 |
| GFB0924VHG | -R00 / -F00 | 24 | 14.0 to 27.6 | 0.60 | 14.40 | | | | | | |
| GFB0948VHG | -R00 / -F00 | 48 | 28.0 to 56.0 | 0.32 | 15.36 | | | | | | |
| GFB0912SHG | -R00 / -F00 | 12 | 7.0 to 13.8 | 1.30 | 15.60 | 4100/3700 | 2.919 | 103.08 | 16.51 | 0.650 | 61.5 |

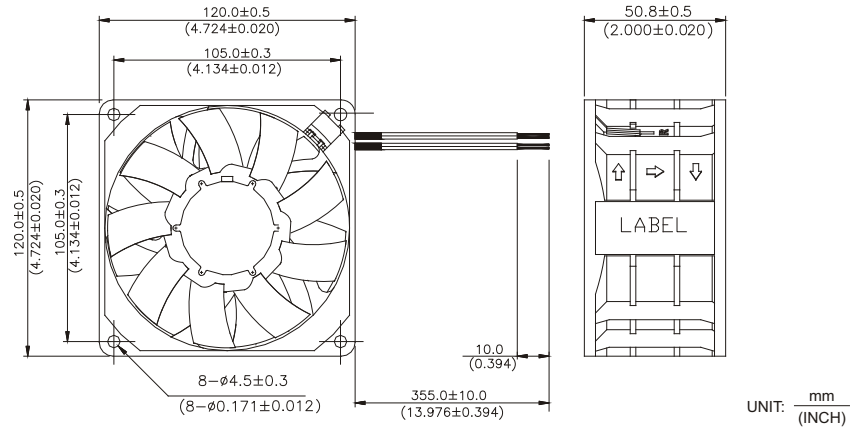
- * Function type is optional.
- * The max. air flow and the speed are measured in free air ; max. air pressure is measured at zero air flow.
- * Noise is measured in anechoic chamber in free air, one meter from intake side.
- * All readings are typical values at rated voltage.
- * Specifications are subject to change without notice.

GFB 120 x 120 x 50.8 MM SERIES

New



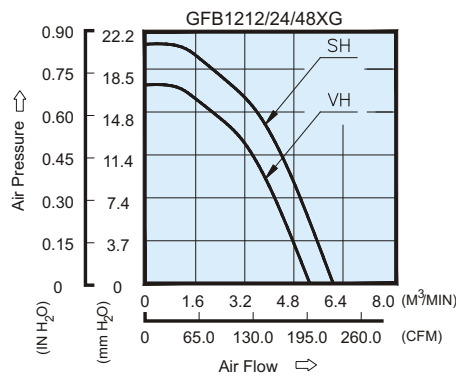
DIMENSIONS DRAWING



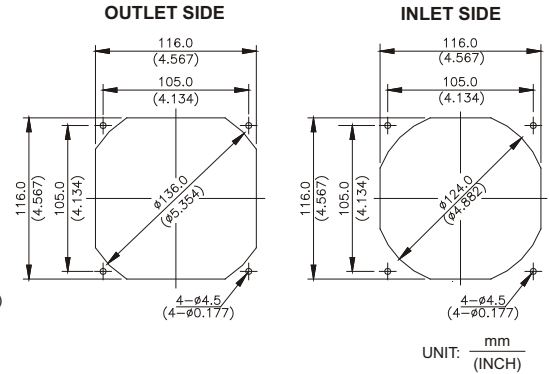
UNIT: mm (INCH)

- * Bearing Type
Ball Bearings
- * Material
Impeller & Frame : Plastic (UL 94V-0)
- * Lead Wires :
UL 1061 AWG #24 OR Equivalent
Red Wire Positive (+)
Black Wire Negative (-)
- * Weight : 480g (16.97 oz)

P & Q CURVE (AT RATED VOLTAGE)



MOUNTING PANEL CUTOUT



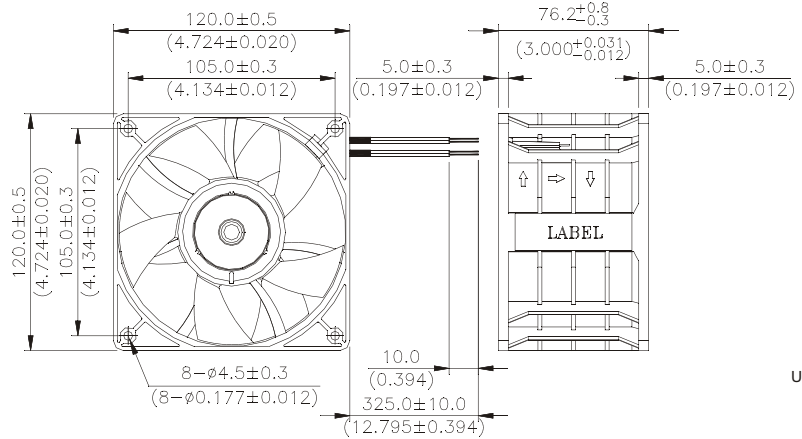
UNIT: mm (INCH)

| MODEL | | Rated Voltage | Operating Voltage Range | Rated Current | Rated Input Power | Speed (Front /Rear) | Maximum Air Flow | | Maximum Air Pressure | | Noise |
|------------|-------------|---------------|-------------------------|---------------|-------------------|---------------------|---------------------|--------|----------------------|---------------------|-------|
| PART NO. | FUNCTION | VDC | VDC | Amp | Watt | R.P.M. | m ³ /min | CFM | mmH ₂ O | IN H ₂ O | dB-A |
| GFB1212VHG | -R00 / -F00 | 12 | 7.0 to 13.2 | 2.82 | 33.84 | 3400/3100 | 5.223 | 184.45 | 17.44 | 0.687 | 65.0 |
| GFB1224SHG | -R00 / -F00 | 24 | 14.0 to 26.4 | 1.80 | 43.20 | 3700/3400 | 5.760 | 203.41 | 20.83 | 0.820 | 67.6 |
| GFB1248SHG | -R00 / -F00 | 48 | 28.0 to 56.0 | 0.68 | 32.64 | | | | | | |

- * Function type is optional.
- * The max. air flow and the speed are measured in free air ; max. air pressure is measured at zero air flow.
- * Noise is measured in anechoic chamber in free air, one meter from intake side.
- * All readings are typical values at rated voltage.
- * Specifications are subject to change without notice.

GFB 120 x 120 x 76.2 MM SERIES

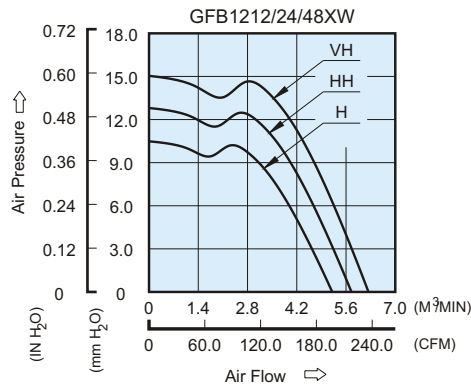
DIMENSIONS DRAWING



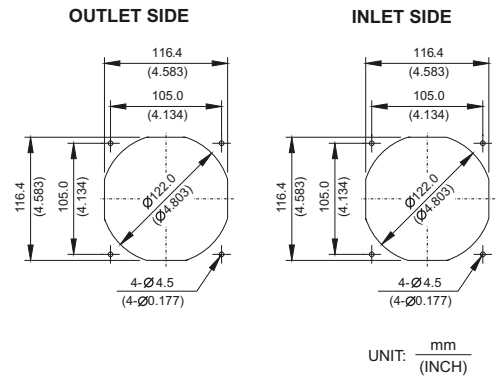
UNIT: $\frac{\text{mm}}{\text{(INCH)}}$

- * Bearing Type
Ball Bearings
- * Material
Impeller & Frame : Plastic(UL 94V-0)
- * Lead Wires :
UL 1061 AWG #24 OR Equivalent
Red Wire Positive(+)
Black Wire Negative(-)
- * Weight : 570g (20.10 OZ)

P & Q CURVE (AT RATED VOLTAGE)



MOUNTING PANEL CUTOUT



UNIT: $\frac{\text{mm}}{\text{(INCH)}}$

| MODEL | | Rated Voltage | Operating Voltage Range | Rated Current | Rated Input Power | Speed (Front /Rear) | Maximum Air Flow | | Maximum Air Pressure | | Noise |
|------------|-------------|---------------|-------------------------|---------------|-------------------|---------------------|---------------------|--------|----------------------|---------------------|-------|
| PART NO. | FUNCTION | VDC | VDC | Amp | Watt | R.P.M. | m ³ /min | CFM | mmH ₂ O | IN H ₂ O | dB-A |
| GFB1212HW | -R00 / -F00 | 12 | 7.0 to 13.2 | 1.44 | 17.28 | 2950/2750 | 5.208 | 183.92 | 10.48 | 0.413 | 55.5 |
| GFB1224HW | -R00 / -F00 | 24 | 14.0 to 26.4 | 0.68 | 16.32 | | | | | | |
| GFB1248HW | -R00 / -F00 | 48 | 28.0 to 53.0 | 0.39 | 18.72 | | | | | | |
| GFB1212HHW | -R00 / -F00 | 12 | 7.0 to 13.2 | 1.89 | 22.68 | 3250/3000 | 5.755 | 203.24 | 12.80 | 0.504 | 57.0 |
| GFB1224HHW | -R00 / -F00 | 24 | 14.0 to 26.4 | 0.95 | 22.80 | | | | | | |
| GFB1248HHW | -R00 / -F00 | 48 | 28.0 to 53.0 | 0.55 | 26.40 | | | | | | |
| GFB1212VHW | -R00 / -F00 | 12 | 7.0 to 13.2 | 2.65 | 31.80 | 3550/3200 | 6.238 | 220.29 | 15.04 | 0.592 | 59.0 |
| GFB1224VHW | -R00 / -F00 | 24 | 14.0 to 26.4 | 1.21 | 29.04 | | | | | | |
| GFB1248VHW | -R00 / -F00 | 48 | 28.0 to 53.0 | 0.62 | 29.76 | | | | | | |

* Function type is optional.
 * The max. air flow and the speed are measured in free air ; max. air pressure is measured at zero air flow.
 * Noise is measured in anechoic chamber in free air, one meter from intake side.
 * All readings are typical values at rated voltage.
 * Specifications are subject to change without notice.

X-ON Electronics

Largest Supplier of Electrical and Electronic Components

Click to view similar products for [DC Fans](#) category:

Click to view products by [Delta](#) manufacturer:

Other Similar products are found below :

[614R](#) [6424/2HP-210](#) [8312R](#) [DV4118/2NP-183](#) [AFB0948HH-S687](#) [PFB0824DHE-8B72](#) [G2E085-AA05-10](#) [RD20S-4/210660](#) [4318/12T](#)
[4418HH](#) [AUB0912H-F00](#) [3412N/2ME](#) [K2E225-RA92-09](#) [4184N/2XR](#) [5214N2HH](#) [614J2HHPR-010](#) [8412NGL-12](#) [4114N/12HHR-297](#)
[4656](#) [ZWR-903](#) [4112N12GL-175](#) [KD2406PKB2.\(2\).GN](#) [AFB1248HHE](#) [AFB1212LE-F00](#) [FAN-SCH-1](#) [MF60151V1-1000U-G99](#)
[PF80252V1-1000U-G99](#) [PF92252V1-1000U-G99](#) [4112N/2H6P](#) [4114N/17-251](#) [6212NH](#) [622/2N](#) [712F-011](#) [8218J/2NP-181](#) [W1G180-AB47-](#)
[15](#) [FAA1-12038NBKW31-A](#) [6318N/2TDP](#) [6318N/2H3PU](#) [6318HU](#) [424JMU](#) [PMD1206PTVX-A.U.GN](#) [PF80251B2-000U-F99](#)
[EF40101BX-1000U-G99](#) [AD1224LB-A71GL](#) [9GA0924L4021](#) [9GA0924M4021](#) [9GA0924M4011](#) [9GA0824B20011](#) [9GA0812A2D0011](#)
[9GA0912M4D011](#) [9GA0924W4D01](#)