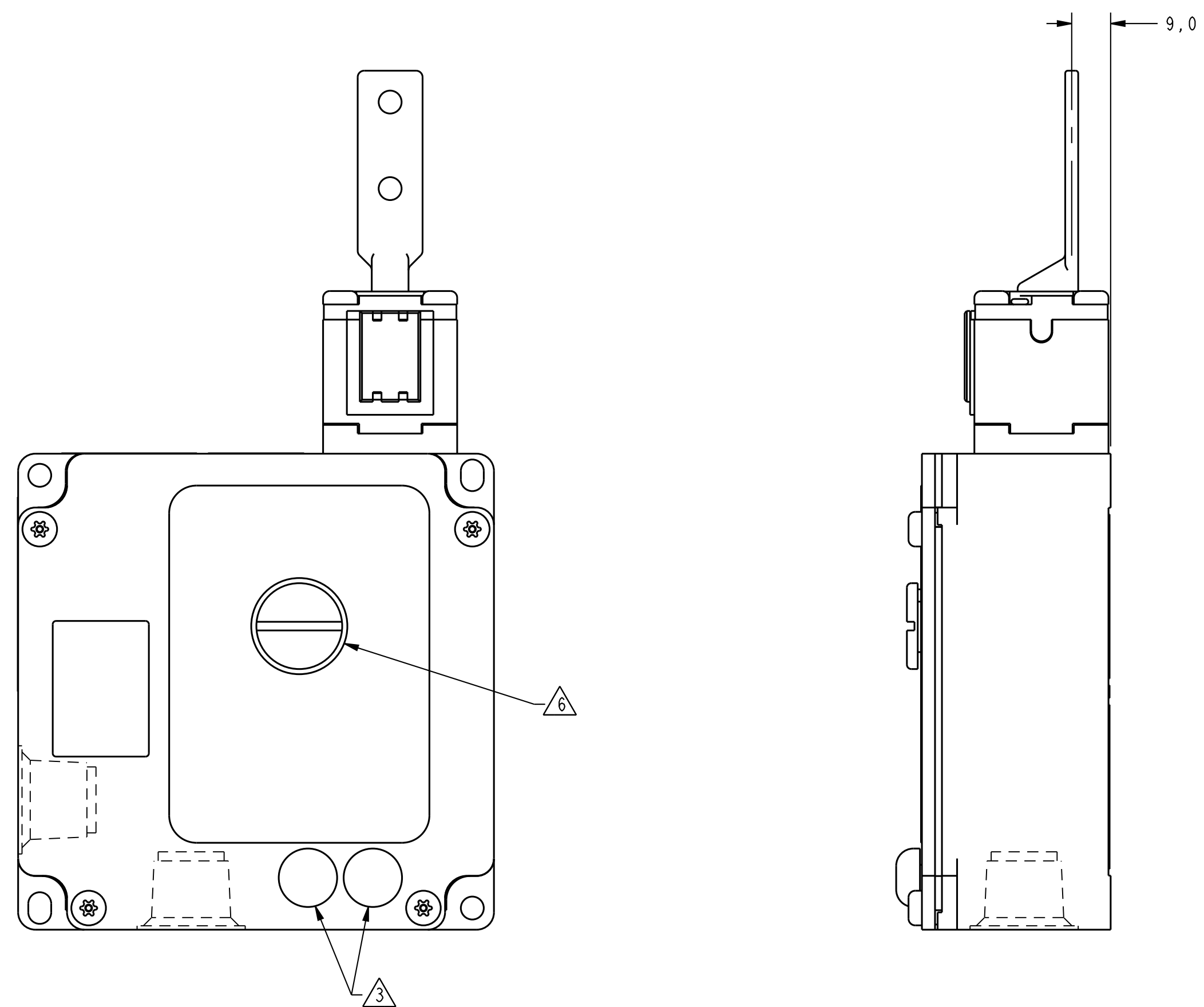


FRONT KEY ENTRY



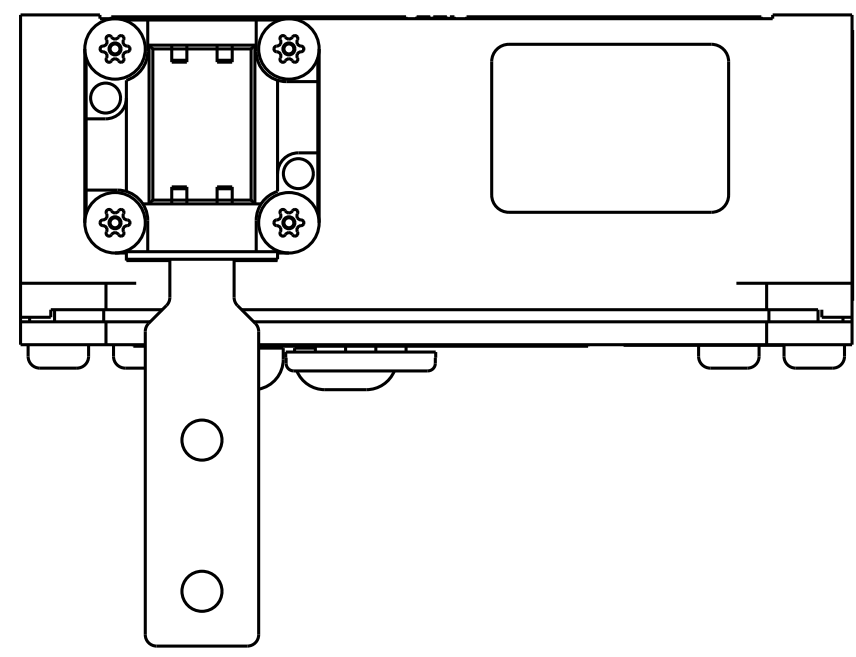
TOP KEY ENTRY

BODY / INDICATOR CODES R OR G

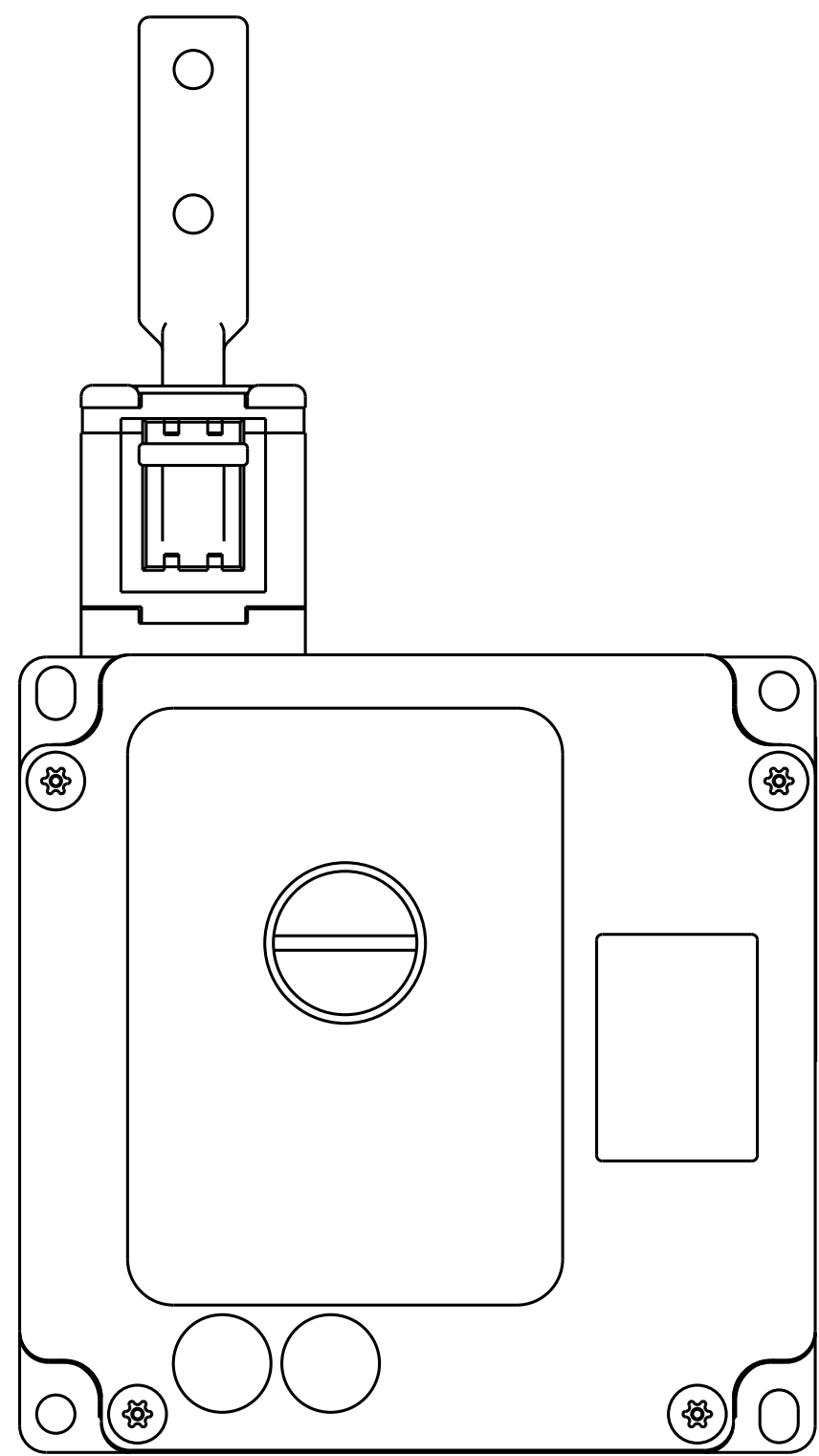
PTC/CAD 3D
DRAWN
MAM 12 SEP 98
CHECK
CMH 11 MAY 99
REVISE
M 04 FEB 98
SSE
CAF 1809
P 0065737
JIMAT10
R 0883578
HON
LONOV11
CHECK
CMH 11 MAY 99
REVISE
M 04 FEB 98
SSE
CAF 1809
P 0065737
JIMAT10
R 0883578
HON
LONOV11

M GK SERIES CHART 4
DRAWING NUMBER
PAGE 2 OF 16
ISSUE
CMH LONOV11 RELEASE NO. PR-23788
REPLACES

THIS DRAWING COVERS A PROPRIETARY ITEM AND IS THE PROPERTY OF MICRO SWITCH, A DIVISION OF HONEYWELL. THIS DRAWING IS NOT TO BE COPIED OR USED WITHOUT THE APPROVAL OF MICRO SWITCH.		FED. MFG. CODE 91929		CATALOG LISTING	
MICRO SWITCH a Honeywell Division		SWITCH - DOOR INTERLOCK		GK SERIES CHART 4	
DESIGN UNITS <input checked="" type="checkbox"/> SI METRIC <input type="checkbox"/> US CUSTOMARY <input type="checkbox"/>		WEIGHT 1.5 kg / 3.3 LB		THIRD ANGLE PROJECTION SCALE 1:1 DO NOT SCALE PRINT TOLERANCES APPLY TO DESIGN UNITS. CONVERSIONS ARE ONLY FOR REFERENCE, UNLESS NOTED. TOLERANCES ARE: NO PLACES ± .04 ONE PLACE ± .1 TWO PLACES ± .01 THREE PLACES ± .005 ANGLES SI METRIC <input checked="" type="checkbox"/> US CUSTOMARY <input type="checkbox"/>	

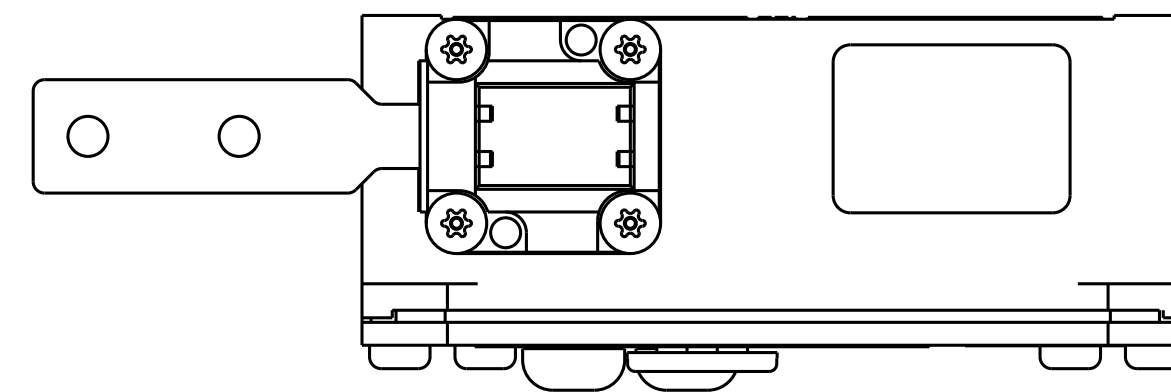
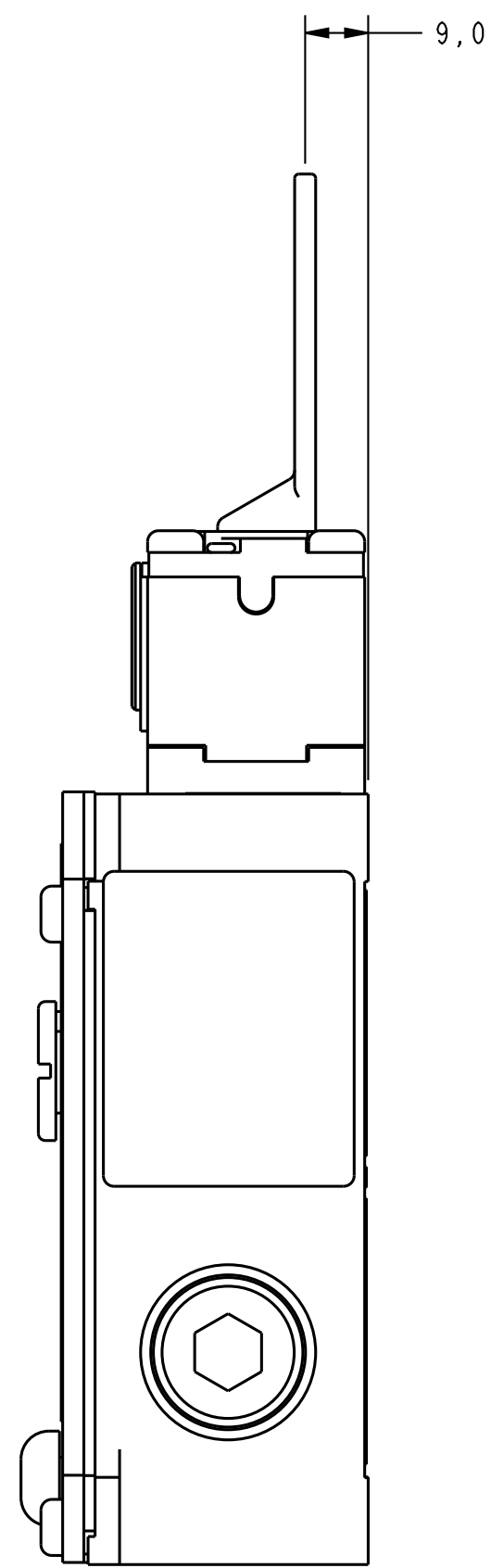


WITH KEY IN FRONT ENTRY POSITION

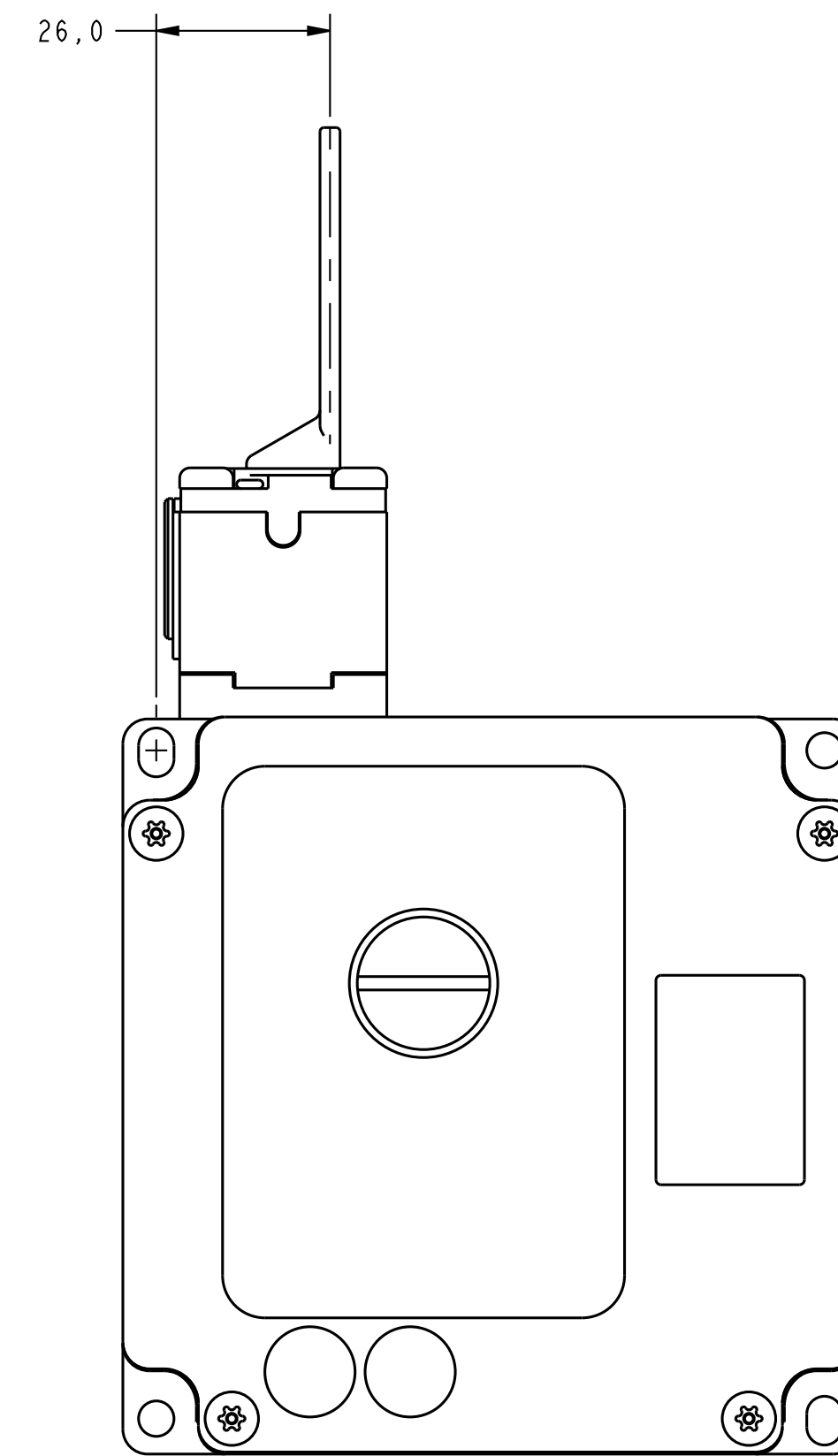


WITH KEY IN TOP ENTRY POSITION

HEAD CODE N

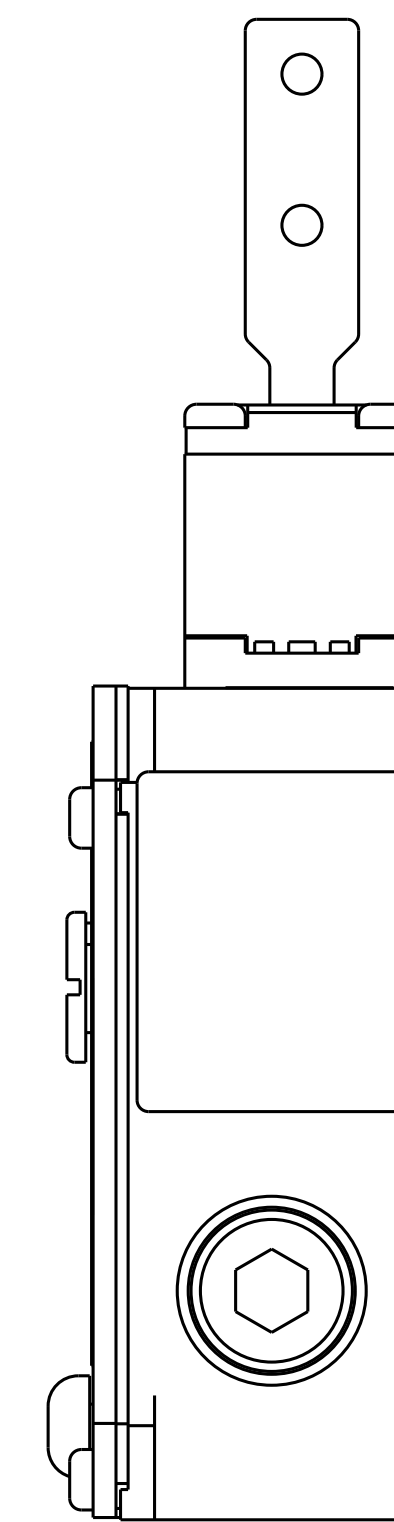


WITH KEY IN FRONT ENTRY POSITION



WITH KEY IN TOP ENTRY POSITION

HEAD CODE P



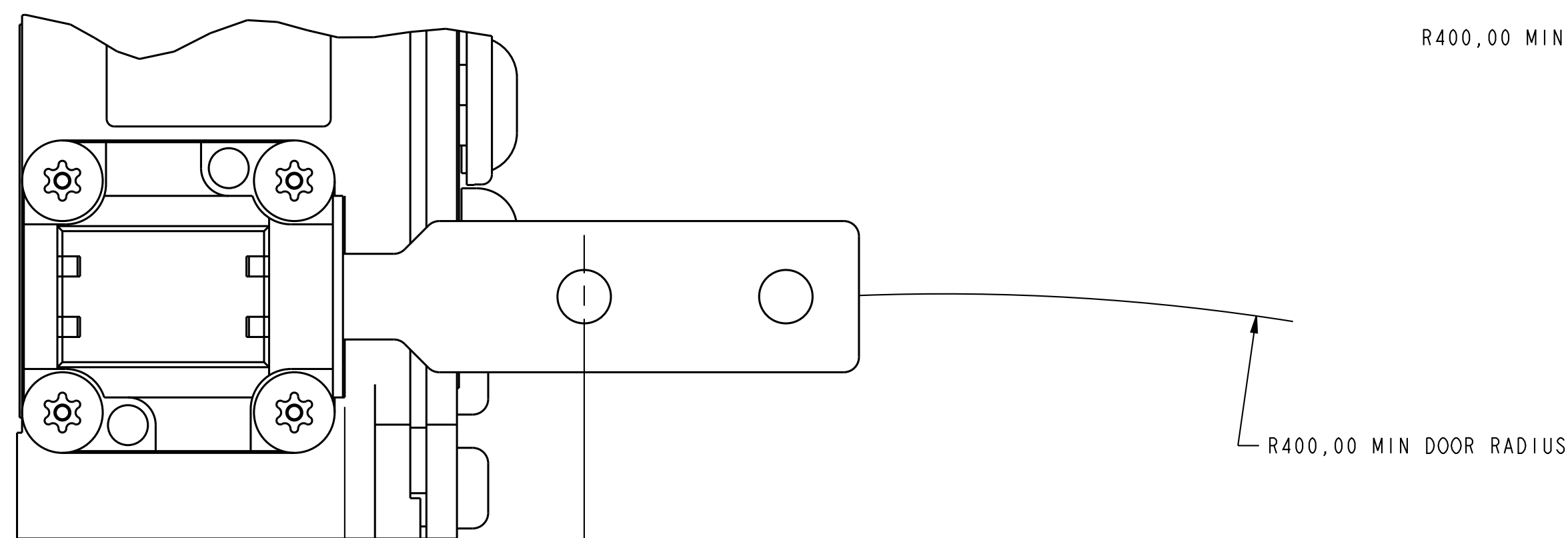
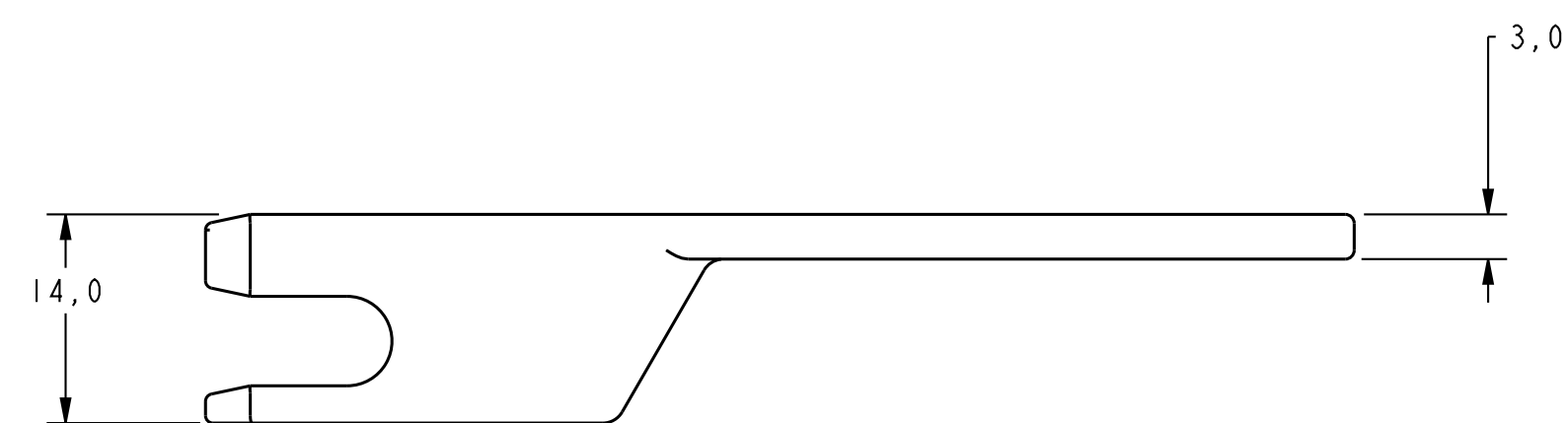
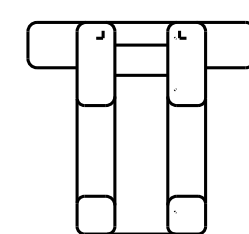
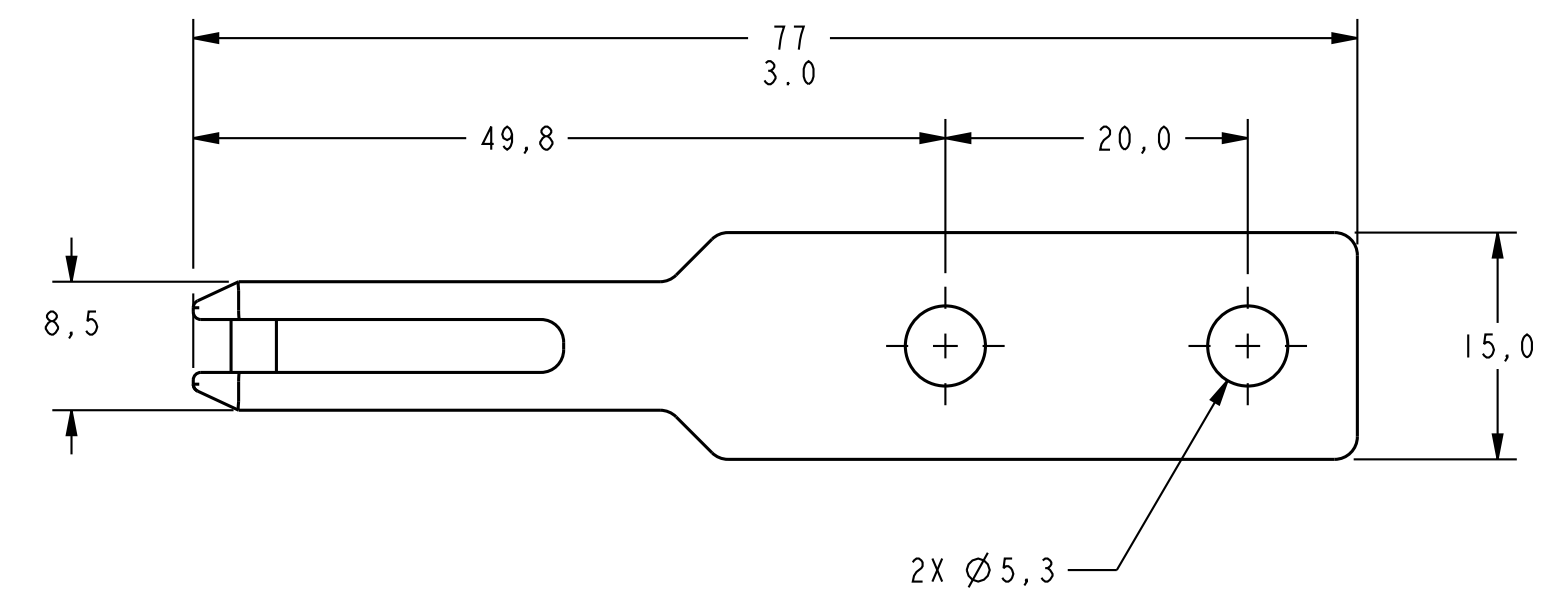
PTC/CAD 3D
DRAWN MAM 30SEP08
CHECK CMH 12MAY09
REVISED BY MAM 083576 04FEB09
CHECK CMH 10NOV11
RELEASE NO. PR-23758
PAGE 5 OF 16
ISSUE 5254
DRAWING NUMBER
MGMK SERIES CHART 4

REV.	DATE	BY	CHKD.	DESCRIPTION
1	083576	MAM	CMH	REVISED
2	04FEB09	MAM	CMH	REVISED

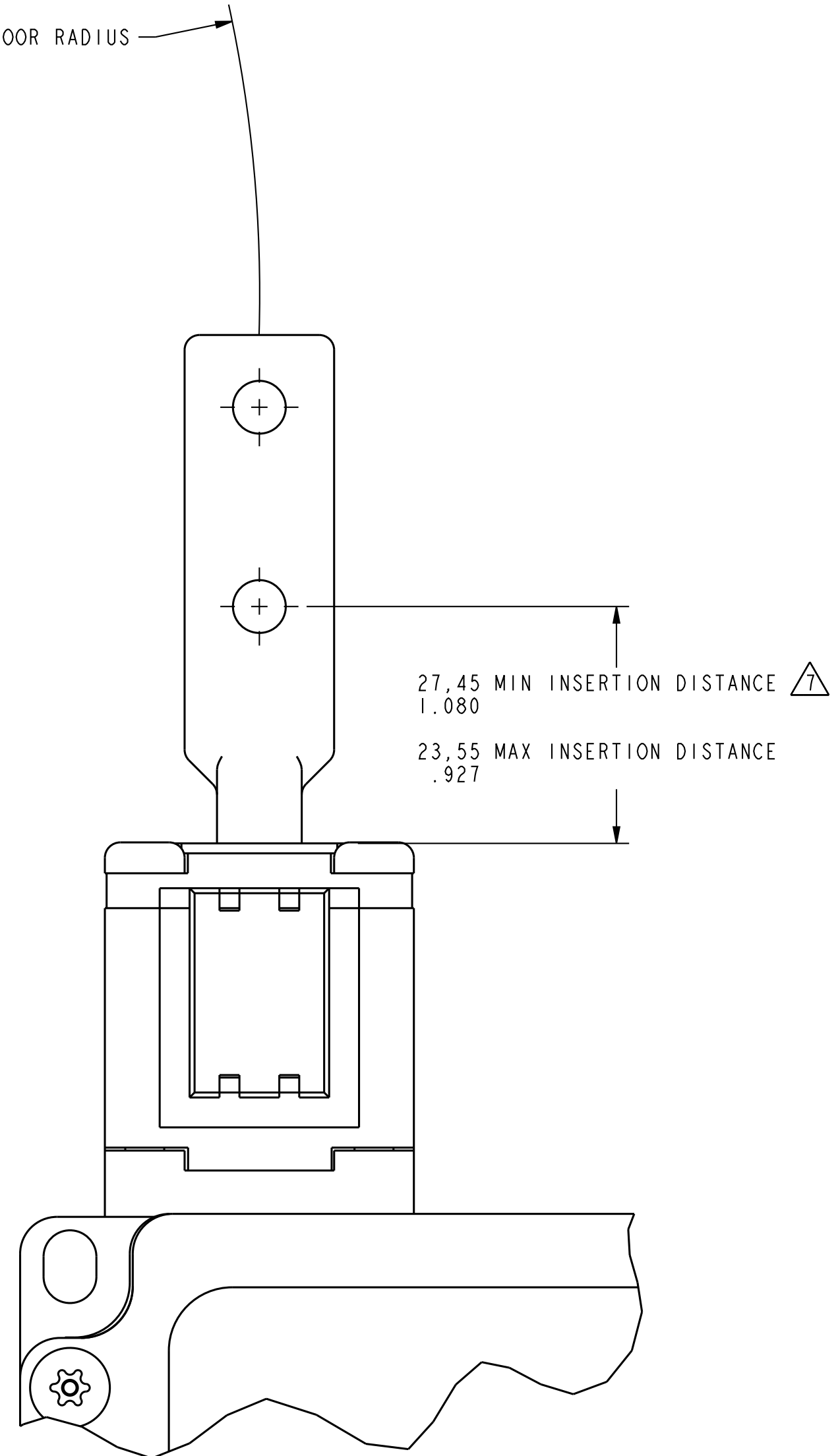
THIS DRAWING COVERS A PROPRIETARY ITEM AND IS THE PROPERTY OF MICRO SWITCH, A DIVISION OF HONEYWELL. THIS DRAWING IS NOT TO BE COPIED OR USED WITHOUT THE APPROVAL OF MICRO SWITCH.		FEDERAL MFG. CODE 91929	
MICRO SWITCH a Honeywell Division		CATALOG LISTING SWITCH - DOOR INTERLOCK GK SERIES CHART 4	
DESIGN UNITS <input checked="" type="checkbox"/> SI METRIC <input type="checkbox"/> US CUSTOMARY		WEIGHT 1.5 KG / 3.3 LB	

THIRD ANGLE PROJECTION			
DO NOT SCALE PRINT			
TOLERANCES			
APPLY TO DESIGN UNITS. CONVERSIONS ARE ONLY FOR REFERENCE, UNLESS NOTED. TOLERANCES ARE:			
NO. PLACES	SI	US	TOL.
ONE PLACE	0.1	0.0005	0.0005
TWO PLACES	0.01	0.0002	0.0002
THREE PLACES	0.001	0.0001	0.0001

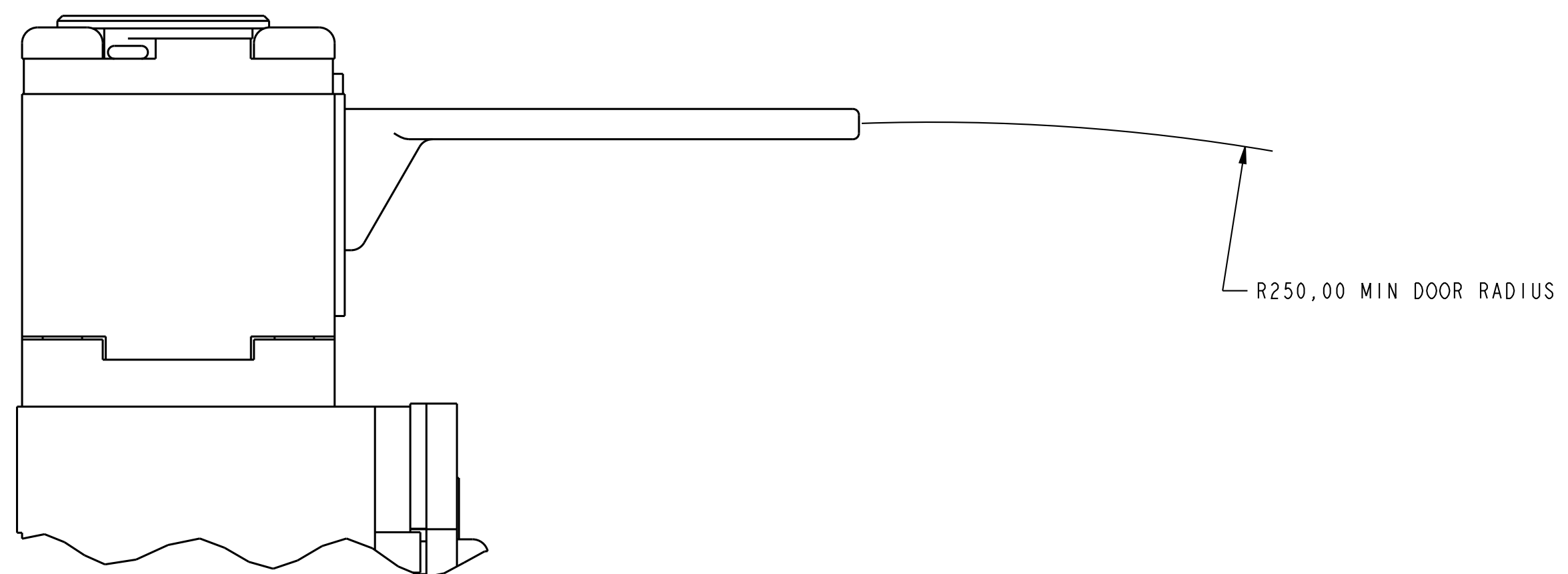
KEY CODE 6



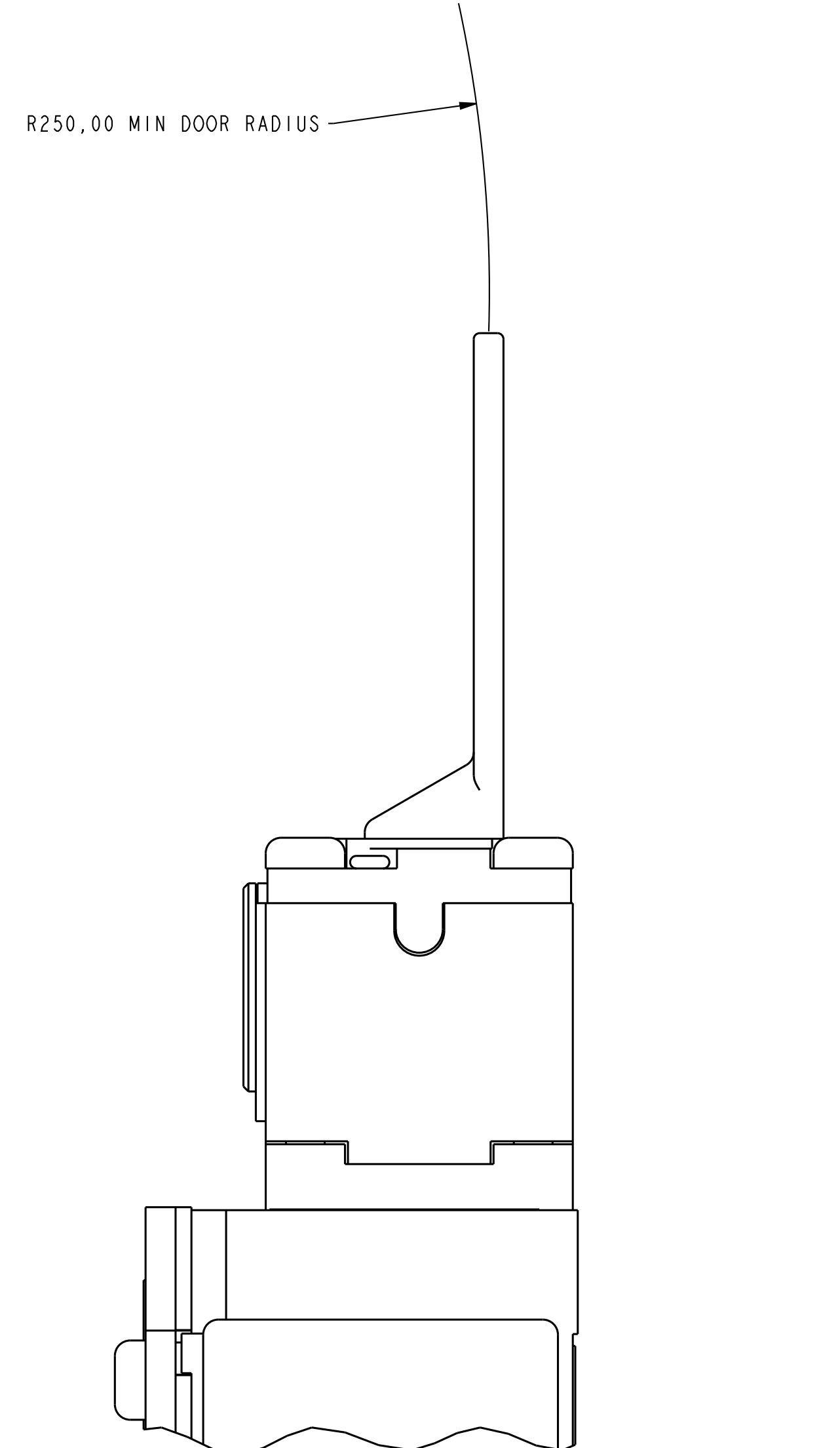
27,45 MIN INSERTION DISTANCE
1.080
23,55 MAX INSERTION DISTANCE
.927



27,45 MIN INSERTION DISTANCE
1.080
23,55 MAX INSERTION DISTANCE
.927



R250,00 MIN DOOR RADIUS



R250,00 MIN DOOR RADIUS

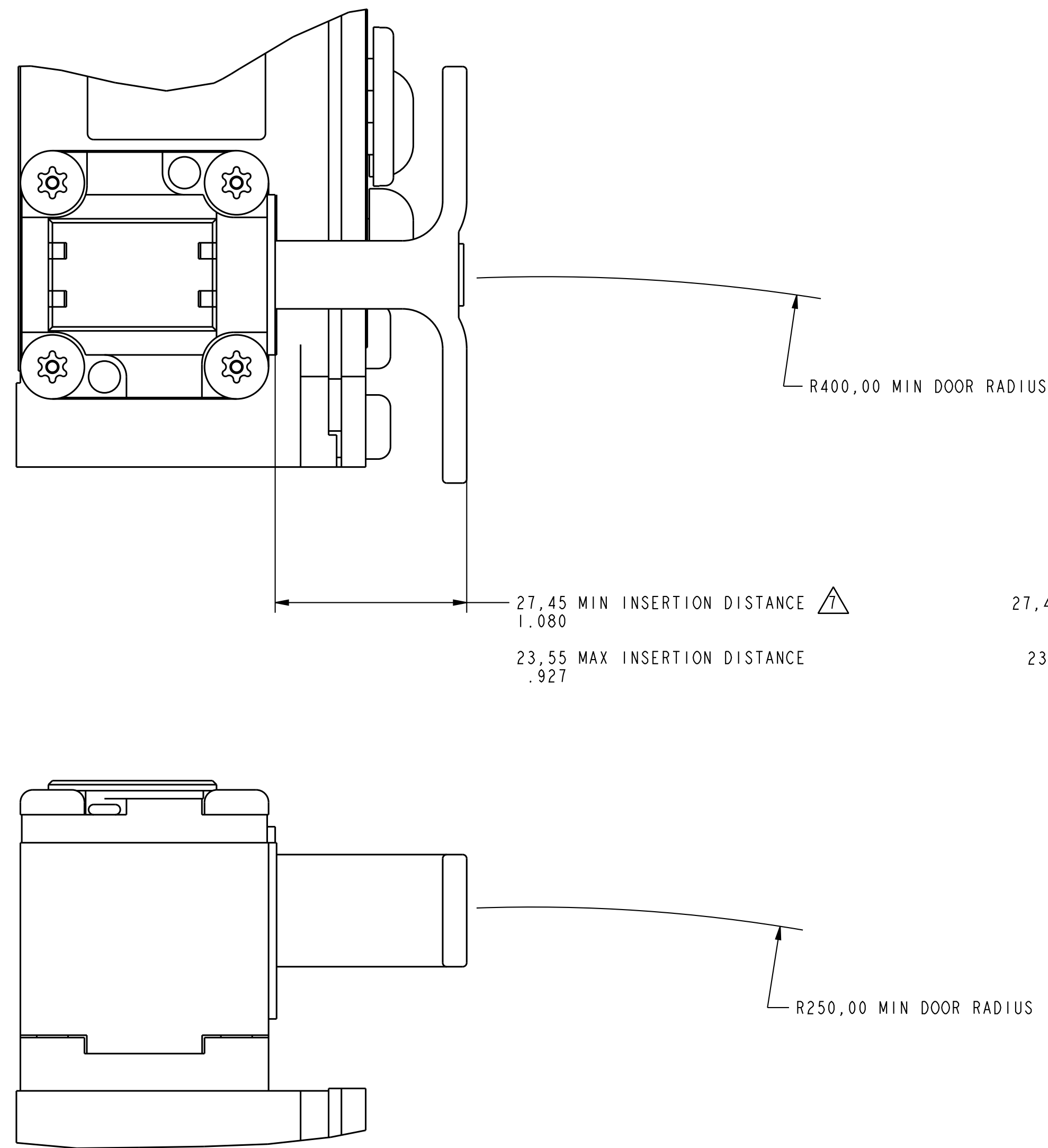
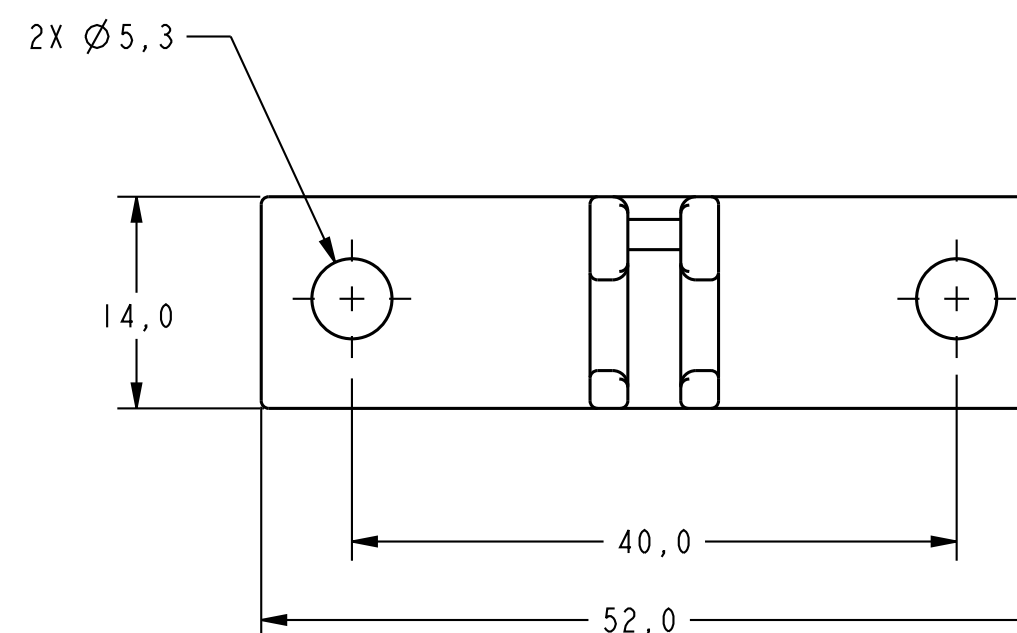
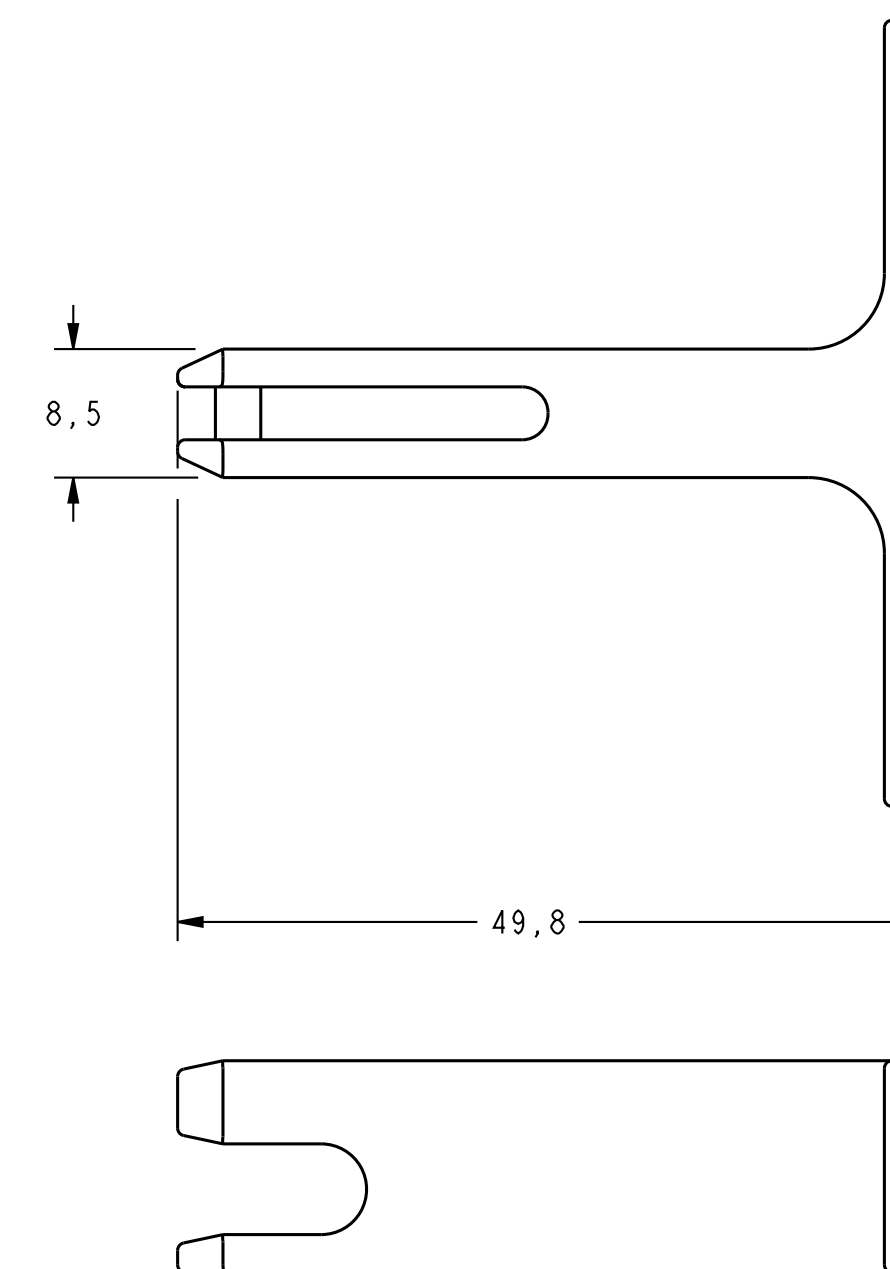
FRONT KEY ENTRY

TOP KEY ENTRY

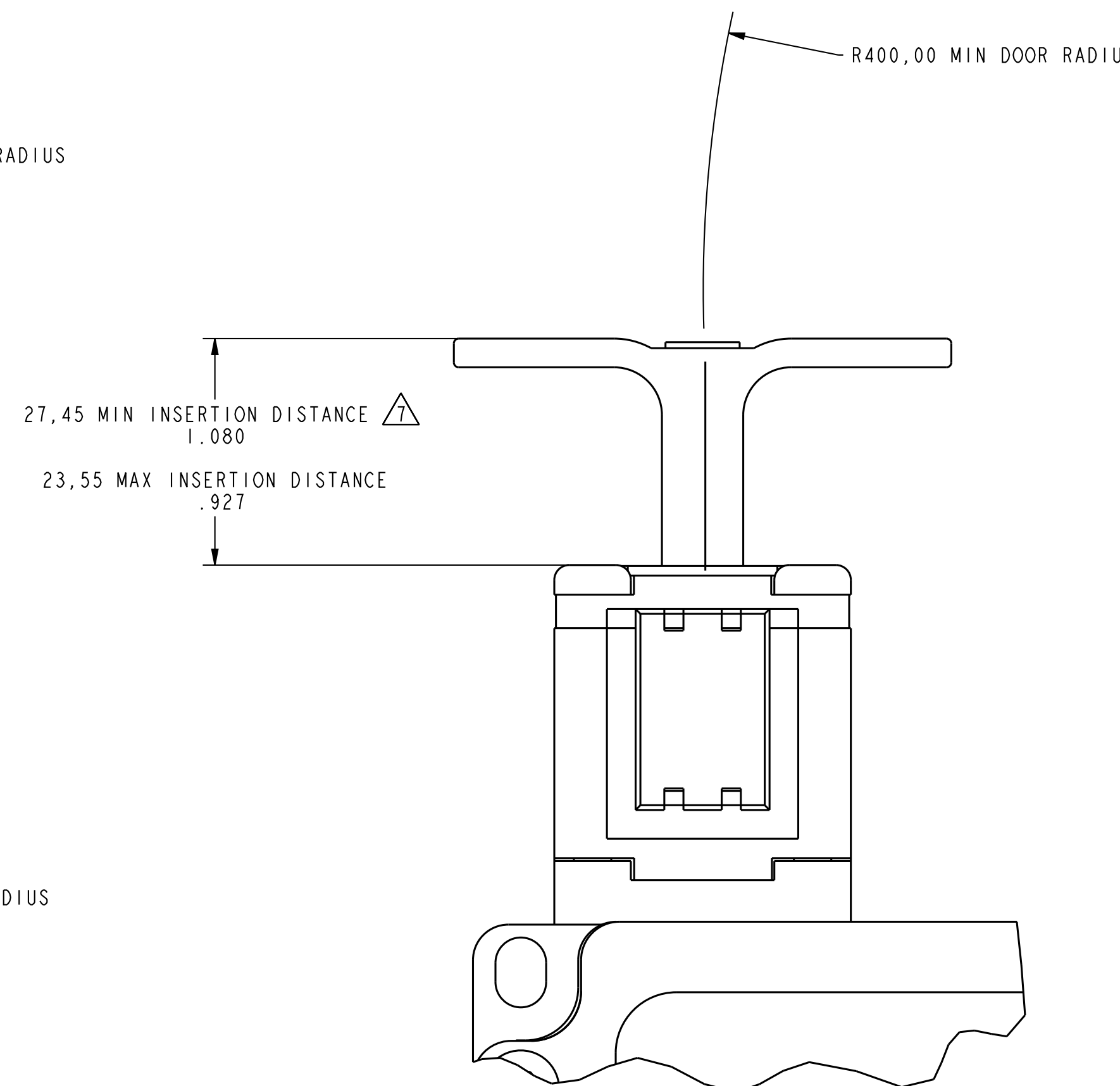
PTC/CAD 3D
DRAWN MAM 30SEP98
CHECK CMH 12MAY98
ISSUE 5254
DRAWING NUMBER 6 OF 16
REPLACES -
RELEASE NO. PR-23758
REV. DATE BY
0083578 HONOLULU
0065737 JIMATID
04FEB99
04FEB99
04FEB99

THIS DRAWING COVERS A PROPRIETARY ITEM AND IS THE PROPERTY OF MICRO SWITCH, A DIVISION OF HONEYWELL. THIS DRAWING IS NOT TO BE COPIED OR USED WITHOUT THE APPROVAL OF MICRO SWITCH. FED. MFG. CODE 91929		CATALOG LISTING SWITCH - DOOR INTERLOCK GK SERIES CHART 4	
MICRO SWITCH a Honeywell Division		DESIGN UNITS <input checked="" type="checkbox"/> SI METRIC <input type="checkbox"/> US CUSTOMARY	
WEIGHT 1,5 KG / 3,3 LB		TOLERANCES DO NOT SCALE PRINT APPLY TO DESIGN UNITS. CONVERSIONS ARE ONLY FOR REFERENCE, UNLESS NOTED. TOLERANCES ARE:	
NO. PLACES	SI	US	US CUSTOMARY
ONE PLACE	±.04	±.1	0.01, 0.05
TWO PLACES	±.01	±.02	0.001, 0.005
THREE PLACES	±.005	±.01	0.0005, 0.0015
ANGLES			

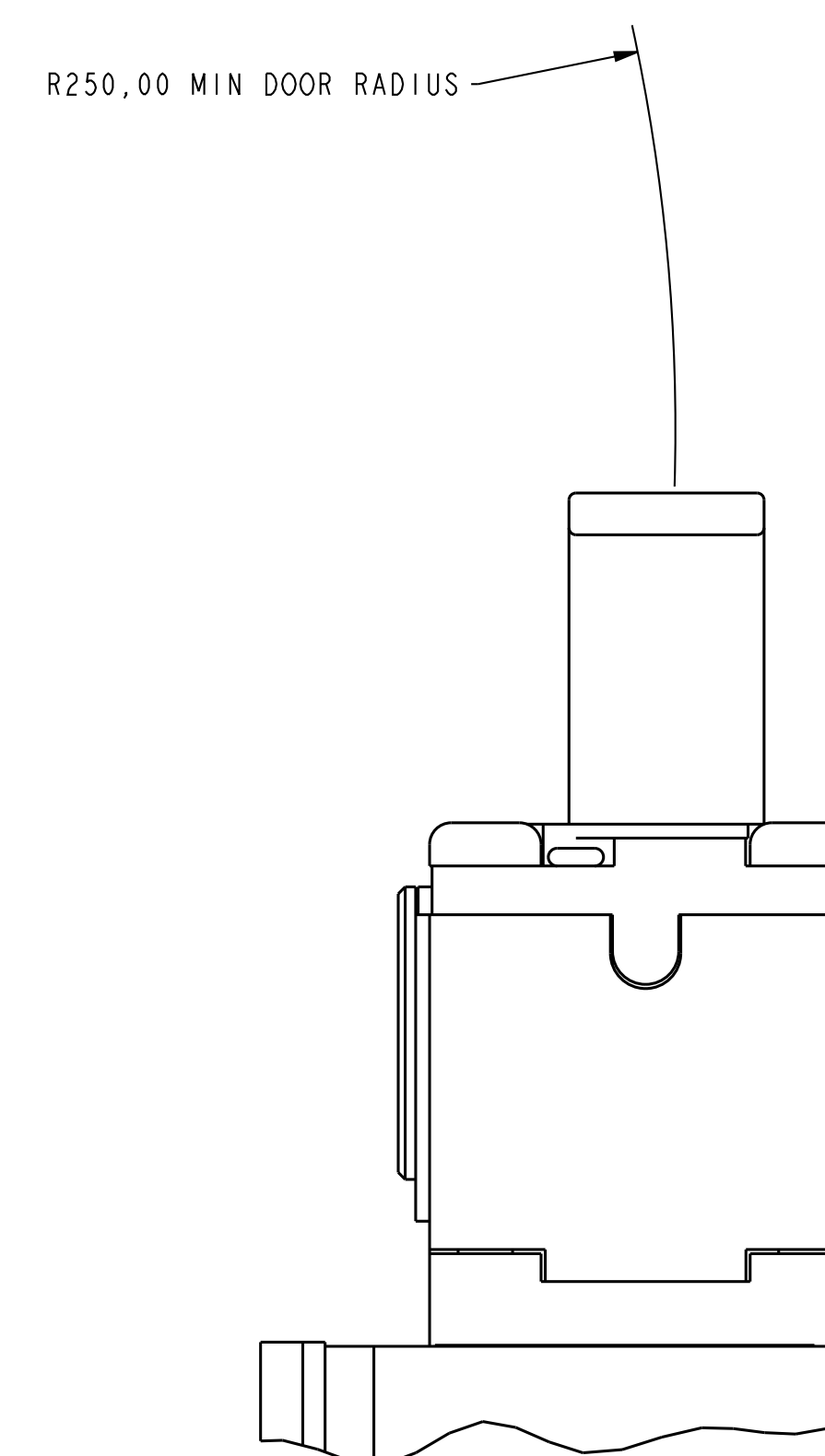
KEY CODE 7



FRONT KEY ENTRY



TOP KEY ENTRY



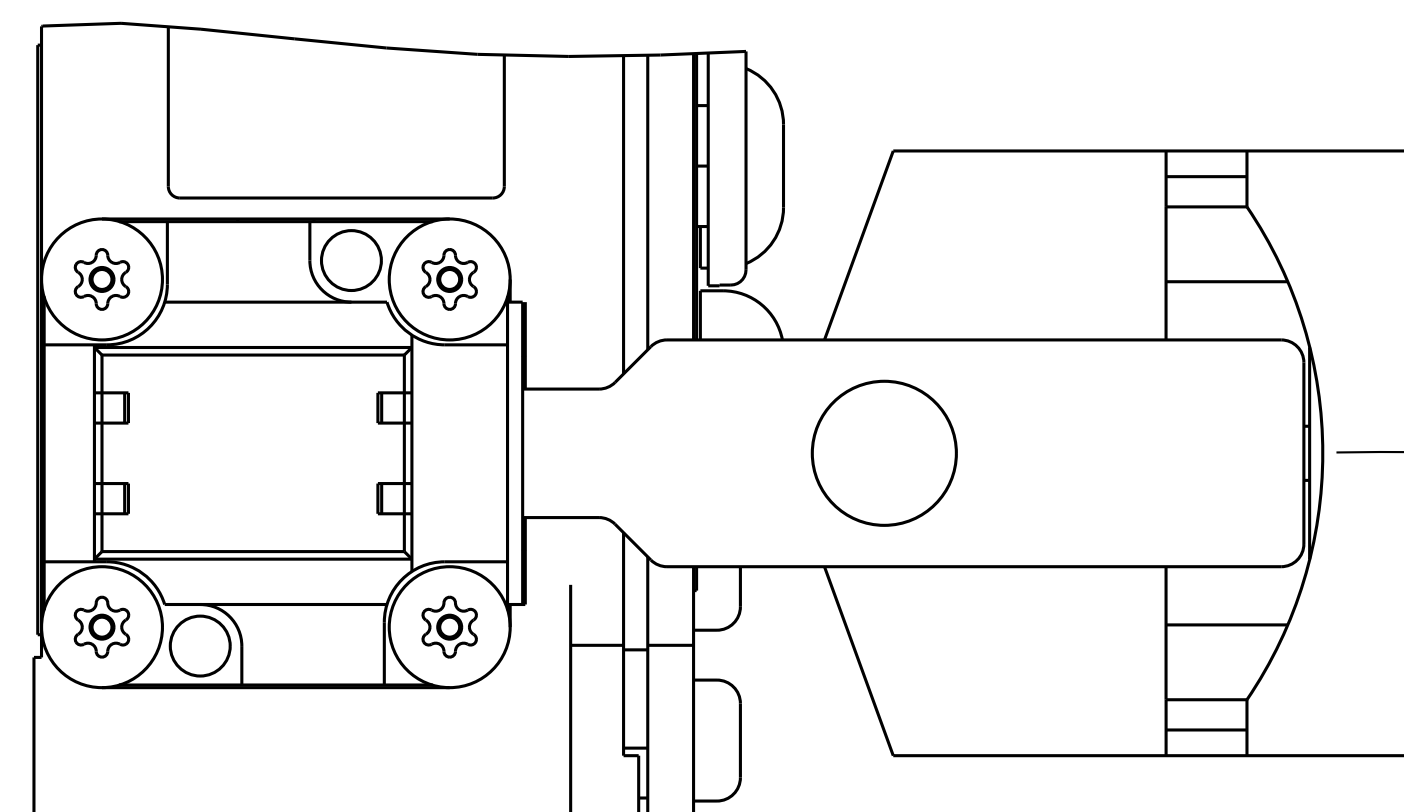
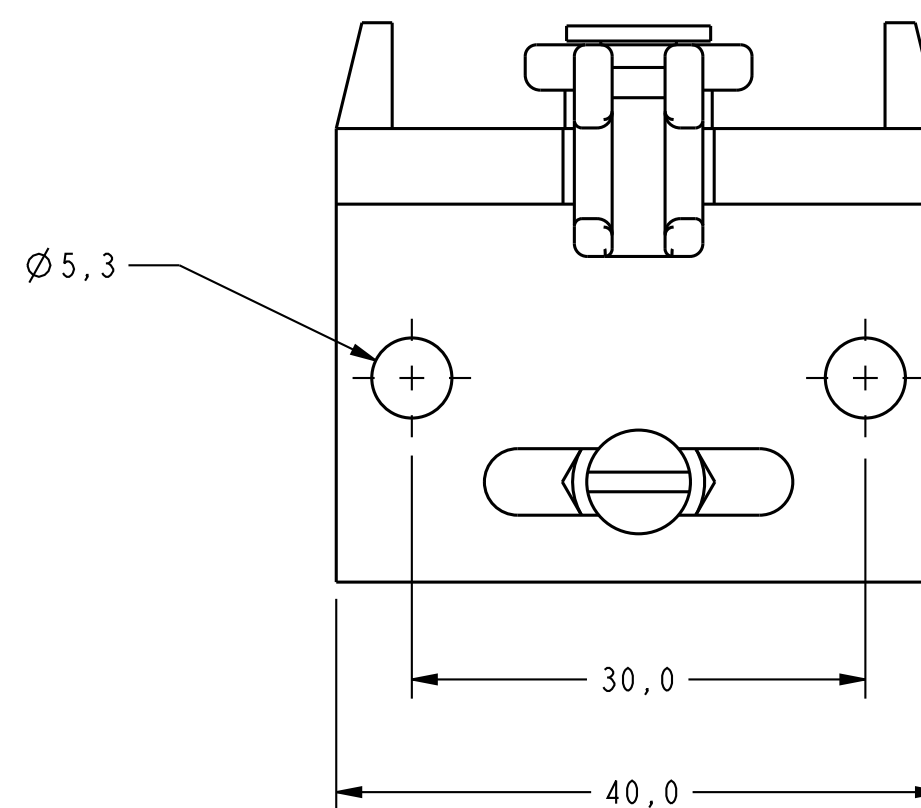
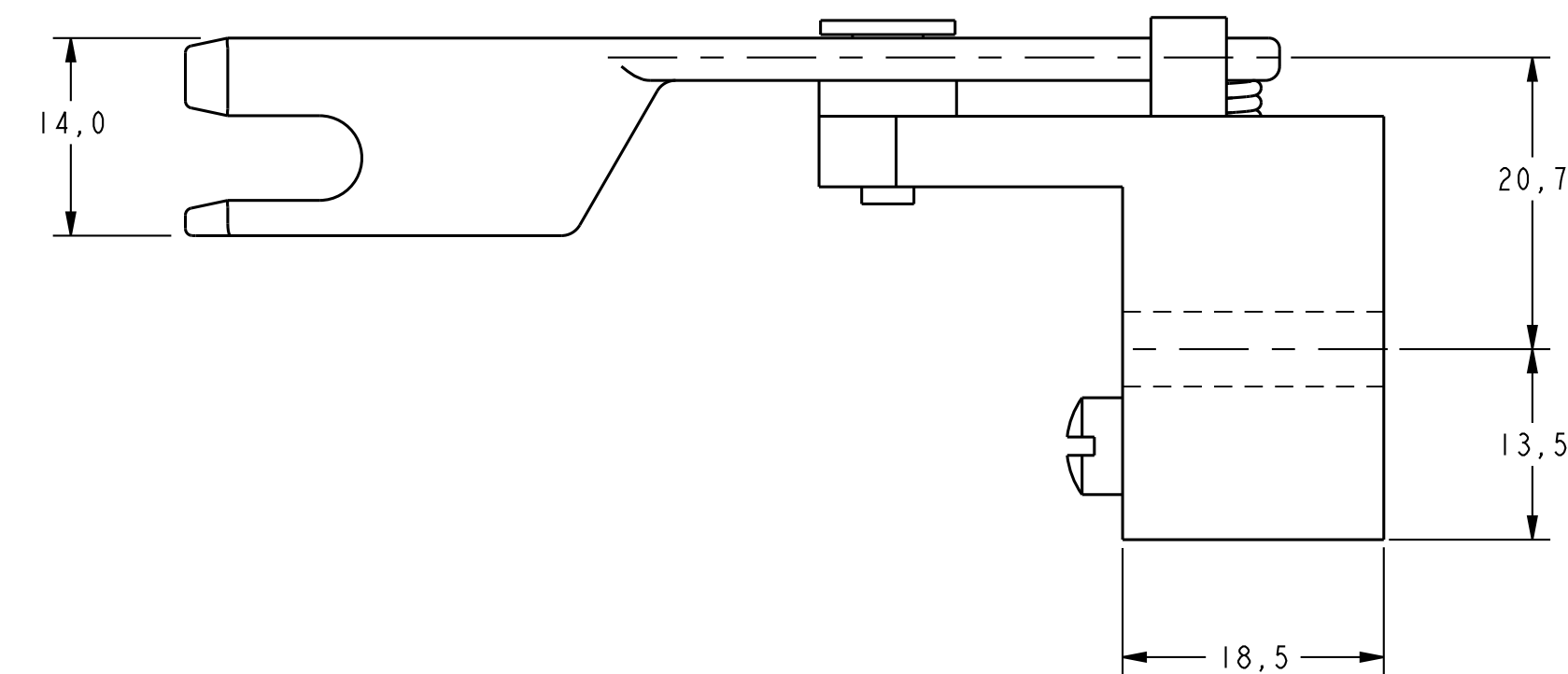
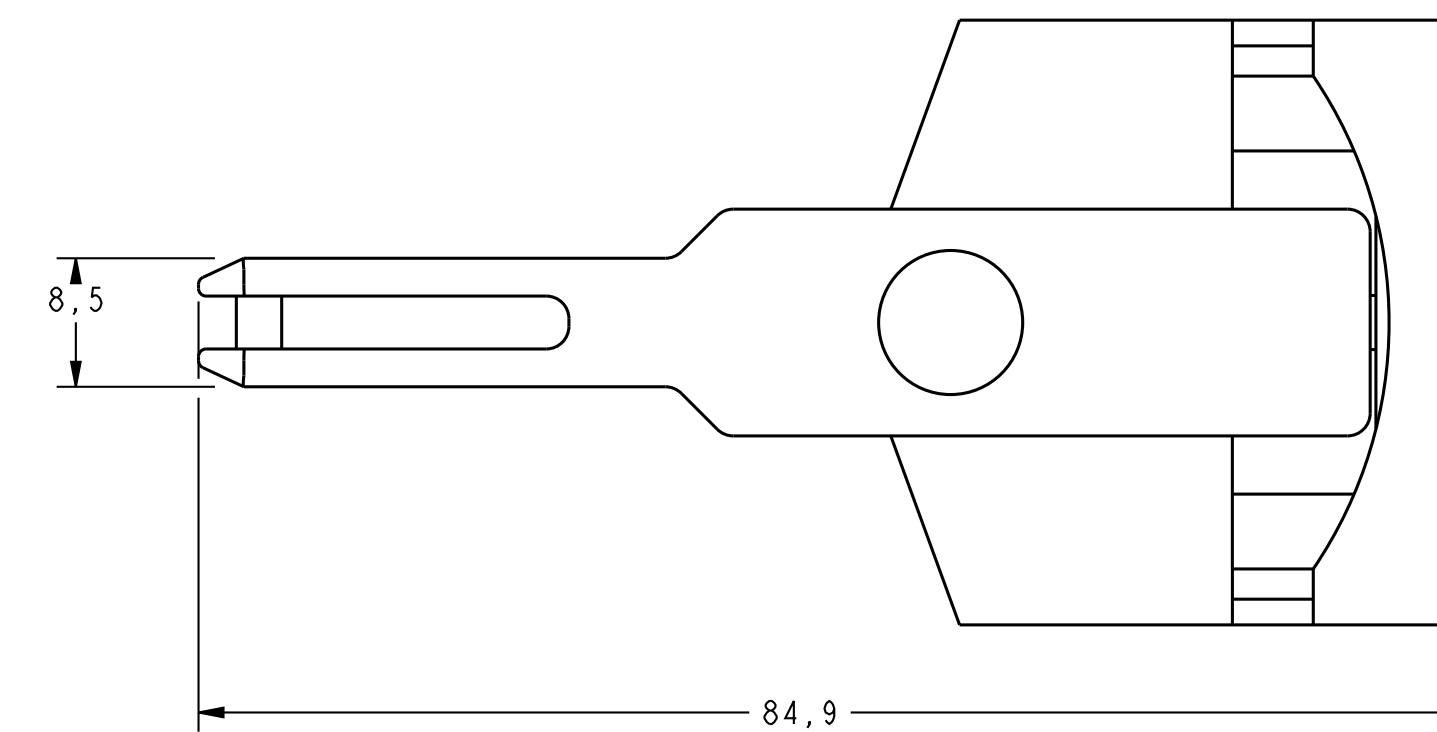
PTC/CAD 3D
DRAWN MAM LOC 98
CHECK CMH 12MAY99
REVISED 0883578
MAY 98
0065137
DATE 04 FEB 89
CHECK CMH
ISSUE 5254
DRAWING NUMBER 7 OF 16
RELEASE NO. PR-23758
REPLACES -

M GK SERIES CHART 4

REV. NO.	DATE	BY	CHKD.	DESCRIPTION
1	04 FEB 89	CMH	CMH	ISSUE 5254
2	04 FEB 89	CMH	CMH	ISSUE 5254
3	04 FEB 89	CMH	CMH	ISSUE 5254
4	04 FEB 89	CMH	CMH	ISSUE 5254
5	04 FEB 89	CMH	CMH	ISSUE 5254
6	04 FEB 89	CMH	CMH	ISSUE 5254
7	04 FEB 89	CMH	CMH	ISSUE 5254
8	04 FEB 89	CMH	CMH	ISSUE 5254
9	04 FEB 89	CMH	CMH	ISSUE 5254
10	04 FEB 89	CMH	CMH	ISSUE 5254
11	04 FEB 89	CMH	CMH	ISSUE 5254
12	04 FEB 89	CMH	CMH	ISSUE 5254
13	04 FEB 89	CMH	CMH	ISSUE 5254
14	04 FEB 89	CMH	CMH	ISSUE 5254
15	04 FEB 89	CMH	CMH	ISSUE 5254
16	04 FEB 89	CMH	CMH	ISSUE 5254

THIS DRAWING COVERS A PROPRIETARY ITEM AND IS THE PROPERTY OF MICRO SWITCH, A DIVISION OF HONEYWELL. THIS DRAWING IS NOT TO BE COPIED OR USED WITHOUT THE APPROVAL OF MICRO SWITCH.		FED. MFG. CODE 91929		CATALOG LISTING																																	
MICRO SWITCH a Honeywell Division		SWITCH - DOOR INTERLOCK		GK SERIES CHART 4																																	
DESIGN UNITS <input checked="" type="checkbox"/> SI METRIC <input type="checkbox"/> US CUSTOMARY <input type="checkbox"/>		WEIGHT 1.5 KG / 3.3 LB		<table border="1"> <thead> <tr> <th colspan="4">TOLERANCES</th> </tr> <tr> <th colspan="4">DO NOT SCALE PRINT</th> </tr> <tr> <th colspan="4">APPLY TO DESIGN UNITS. CONVERSIONS ARE ONLY FOR REFERENCE, UNLESS NOTED. TOLERANCES ARE:</th> </tr> <tr> <th>NO. PLACES</th> <th>SI</th> <th>US</th> <th>US</th> </tr> </thead> <tbody> <tr> <td>ONE PLACES</td> <td>±.1</td> <td>±.004</td> <td>±.004</td> </tr> <tr> <td>TWO PLACES</td> <td>±.01</td> <td>±.001</td> <td>±.001</td> </tr> <tr> <td>THREE PLACES</td> <td>±.001</td> <td>±.0005</td> <td>±.0005</td> </tr> <tr> <td>ANGLES</td> <td></td> <td></td> <td></td> </tr> </tbody> </table>		TOLERANCES				DO NOT SCALE PRINT				APPLY TO DESIGN UNITS. CONVERSIONS ARE ONLY FOR REFERENCE, UNLESS NOTED. TOLERANCES ARE:				NO. PLACES	SI	US	US	ONE PLACES	±.1	±.004	±.004	TWO PLACES	±.01	±.001	±.001	THREE PLACES	±.001	±.0005	±.0005	ANGLES			
TOLERANCES																																					
DO NOT SCALE PRINT																																					
APPLY TO DESIGN UNITS. CONVERSIONS ARE ONLY FOR REFERENCE, UNLESS NOTED. TOLERANCES ARE:																																					
NO. PLACES	SI	US	US																																		
ONE PLACES	±.1	±.004	±.004																																		
TWO PLACES	±.01	±.001	±.001																																		
THREE PLACES	±.001	±.0005	±.0005																																		
ANGLES																																					

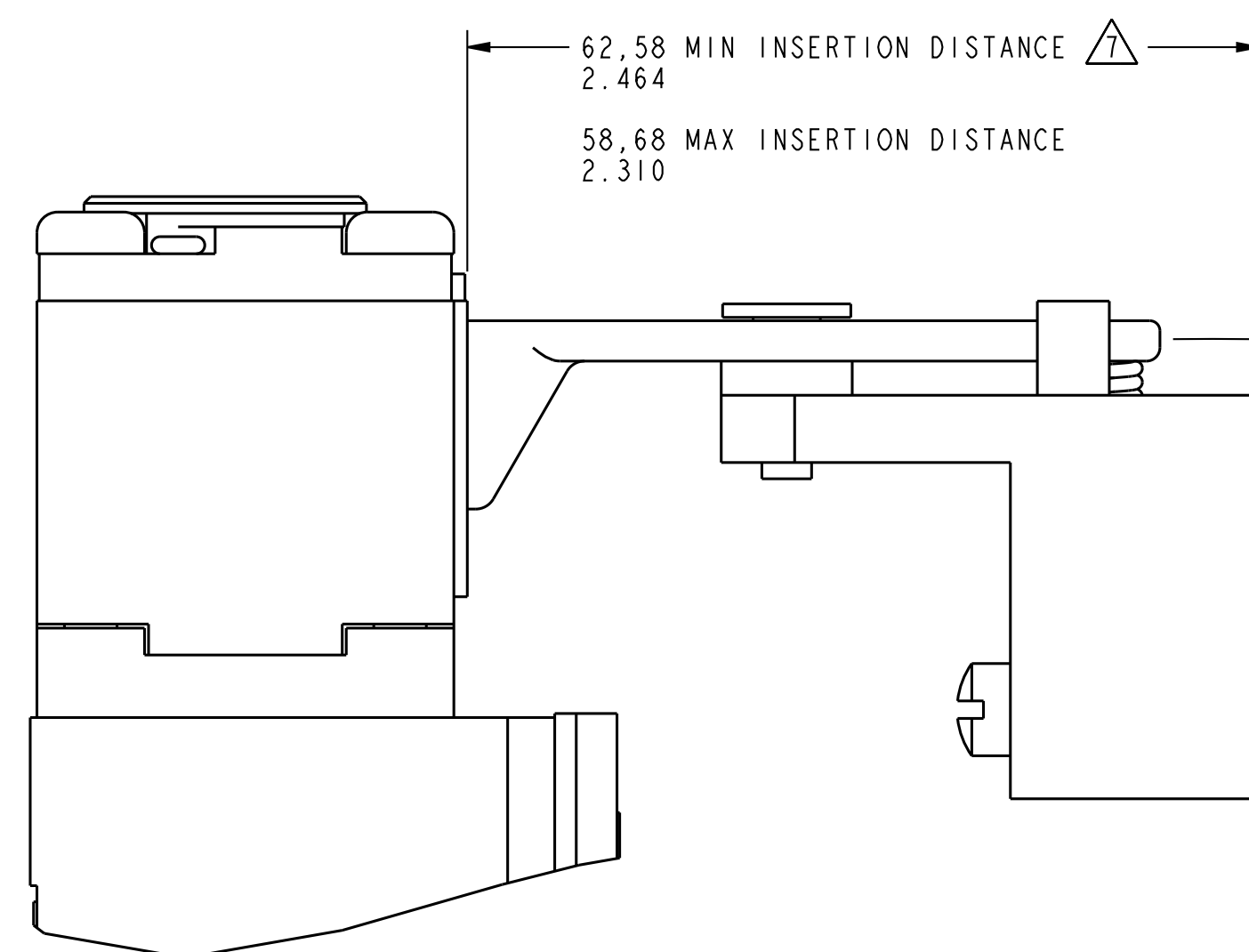
KEY CODE 9



R150,00 MIN DOOR RADIUS

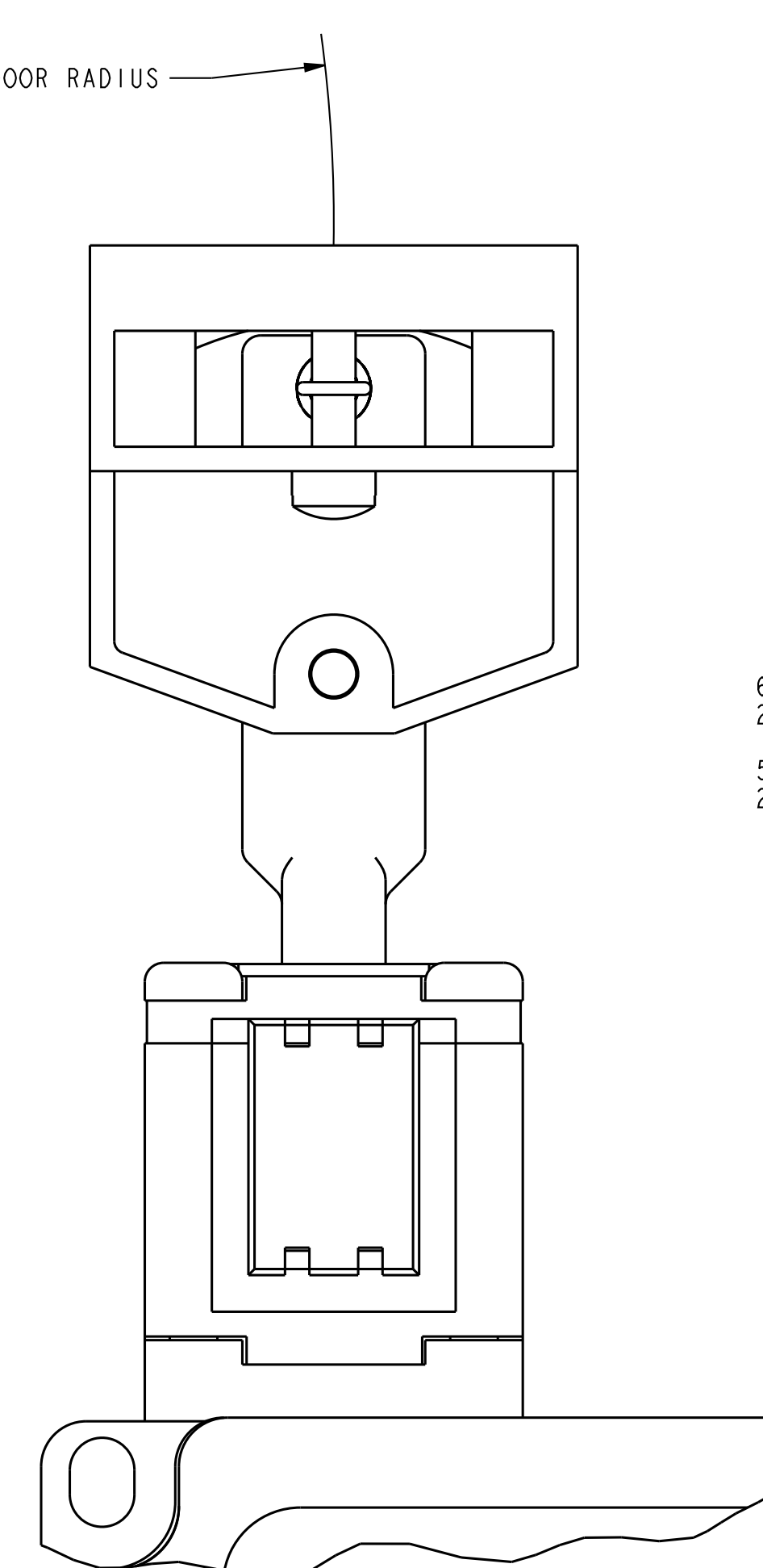
R150,00 MIN DOOR RADIUS

R250,00 MIN DOOR RADIUS

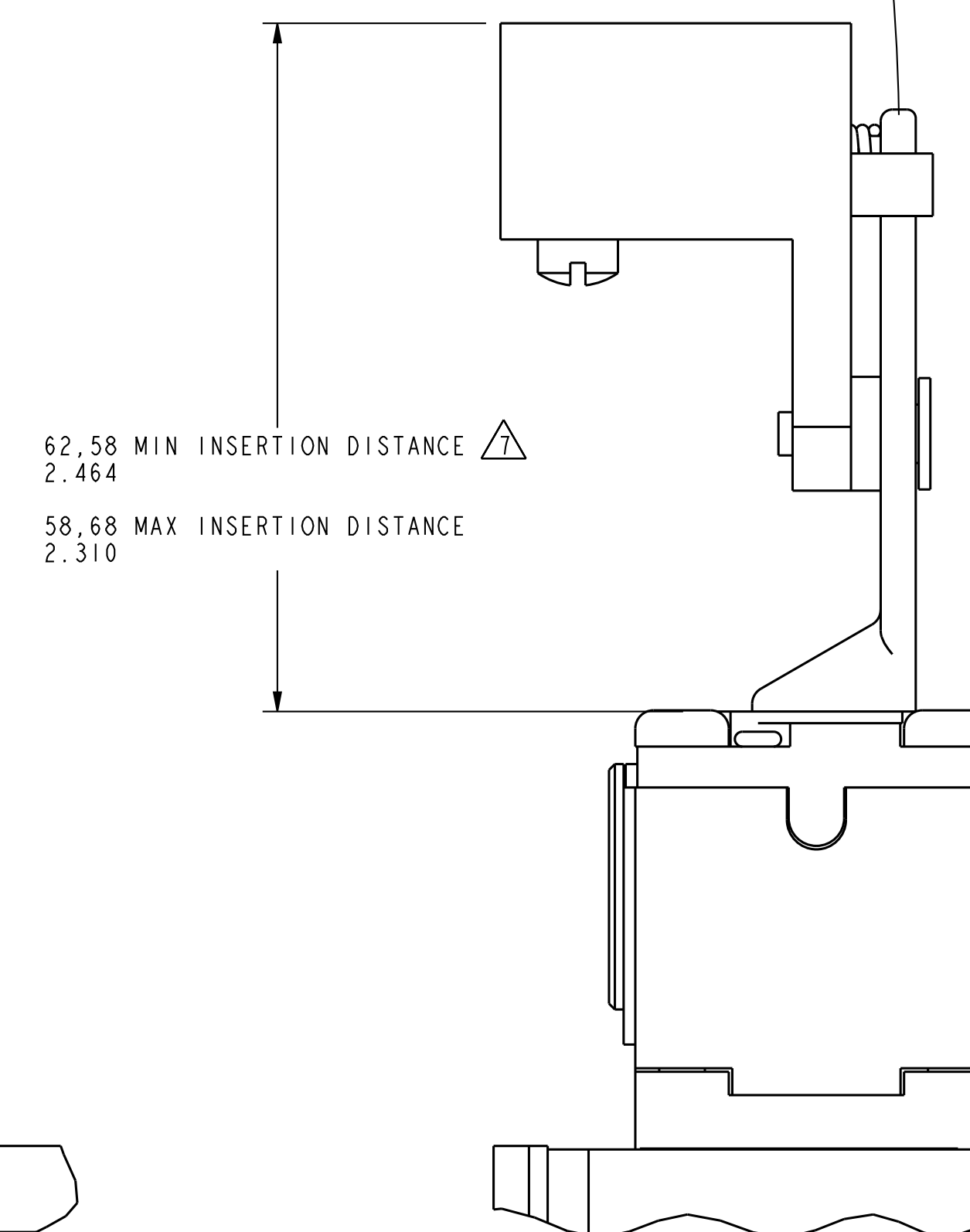


FRONT KEY ENTRY

R250,00 MIN DOOR RADIUS



TOP KEY ENTRY



THIS DRAWING COVERS A PROPRIETARY ITEM AND IS THE PROPERTY OF MICRO SWITCH, A DIVISION OF HONEYWELL. THIS DRAWING IS NOT TO BE COPIED OR USED WITHOUT THE APPROVAL OF MICRO SWITCH.

FED. MFG. CODE 91929 CATALOG LISTING

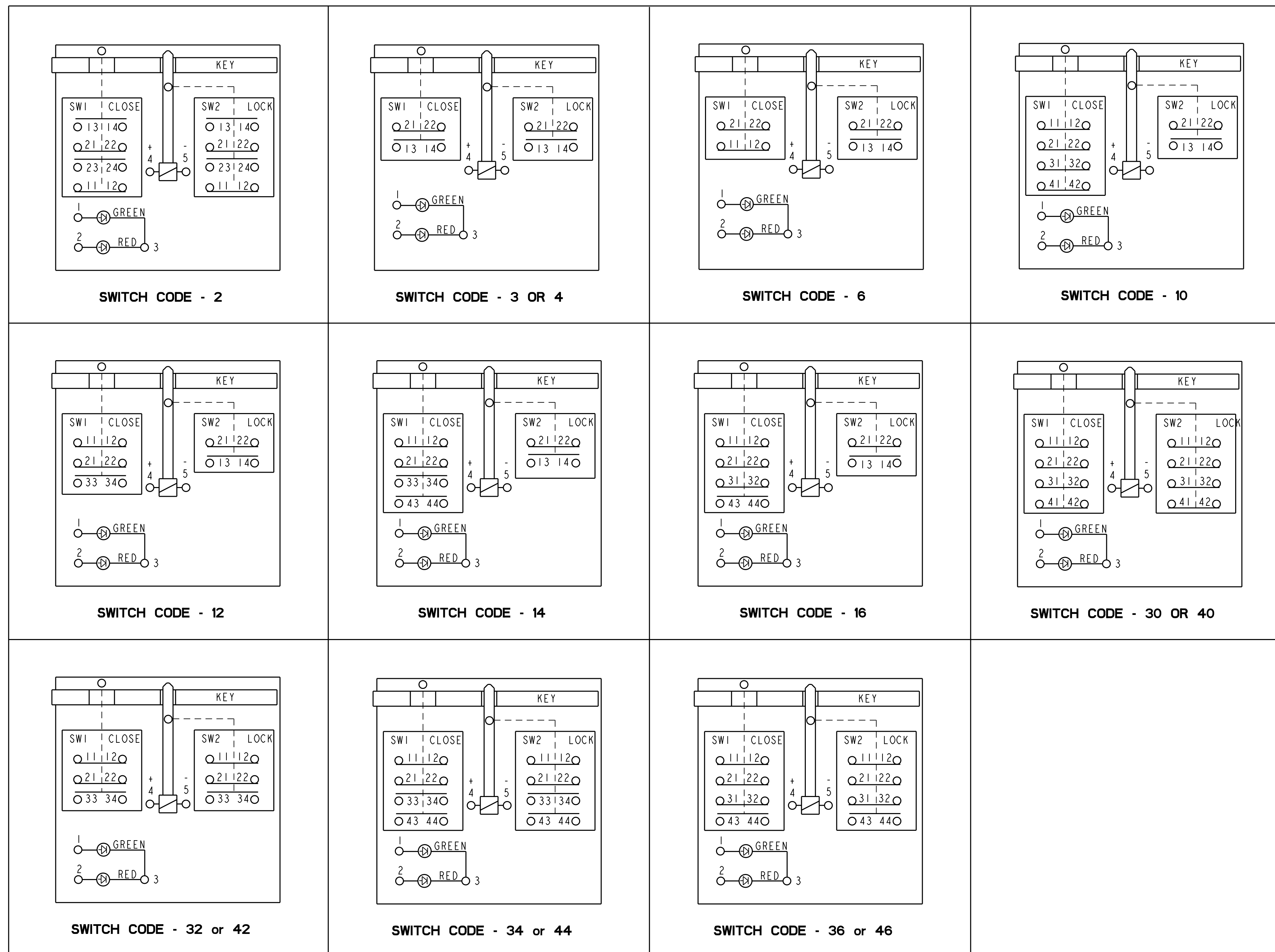
MICRO SWITCH
a Honeywell Division

SWITCH - DOOR INTERLOCK

GK SERIES CHART 4

THIRD ANGLE PROJECTION			
SCALE 2 : 1			
DO NOT SCALE PRINT			
TOLERANCES			
APPLY TO DESIGN UNITS. CONVERSIONS ARE ONLY FOR REFERENCE, UNLESS NOTED. TOLERANCES ARE :			
NO PLACES	FRACTIONS	SI METRIC	US CUSTOMARY
ONE PLACE	1/16	0.1	0.005
TWO PLACES	1/32	0.05	0.0025
THREE PLACES	1/64	0.025	0.00125
ANGLES			
DESIGN UNITS	SI METRIC <input checked="" type="checkbox"/>		US CUSTOMARY <input type="checkbox"/>
WEIGHT 1,5 KG / 3,3 LB			

PTC/CAD 3D
DRAWN MAM LOC 98
CHECK CMH 12MAY99
REVISED BY 0083578
DATE 31MAY99
BY 0065137
DATE 04FEB99
BY 0047583
DATE 09OCT98
ISSUE 5254
DRAWING NUMBER
PAGE 9 OF 16
RELEASE NO. PR-23758
REPLACES -



BODY / INDICATOR CODES - L OR R
 TYPE / OVER-RIDE CODES - A OR B
 DIAGRAMS SHOWN WITH KEY INSERTED AND LOCKED

M GK SERIES CHART 4
 DRAWING NUMBER: 10 OF 16
 RELEASE NO. PR-23758
 REPLACES:

ISSUE: 5254
 DATE: 01FEB09
 CHECK: CMH
 DRAWN: MAM
 DATE: 12MAY99
 CHECK: CMH
 PRT: 0803578

REVISIONS:
 NO. DATE BY
 1 04FEB09 MAM
 2 0805137 JIMAT10
 3 0803578

PTC/CAD 3D
 DRAWN: MAM
 DATE: 12MAY99
 CHECK: CMH
 PRT: 0803578

THIS DRAWING COVERS A PROPRIETARY ITEM AND IS THE PROPERTY OF MICRO SWITCH, A DIVISION OF HONEYWELL. THIS DRAWING IS NOT TO BE COPIED OR USED WITHOUT THE APPROVAL OF MICRO SWITCH. FED. MFG. CODE 91929		CATALOG LISTING	
MICRO SWITCH a Honeywell Division		SWITCH - DOOR INTERLOCK GK SERIES CHART 4	
DESIGN UNITS: <input checked="" type="checkbox"/> SI METRIC <input type="checkbox"/> US CUSTOMARY		WEIGHT: 1.5 KG / 3.3 LB	

THIRD ANGLE PROJECTION

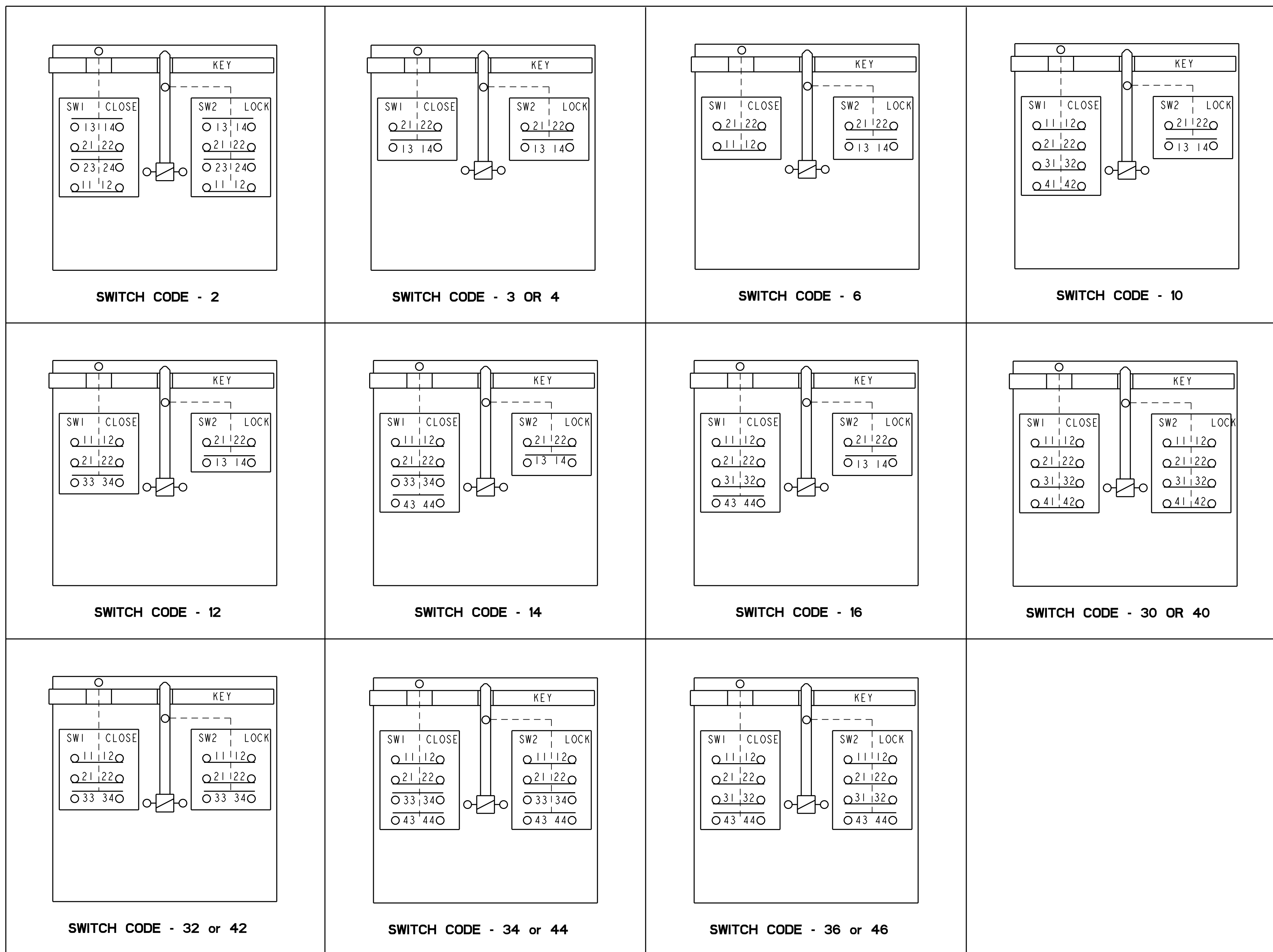
SCALE: NTS

DO NOT SCALE PRINT

TOLERANCES

APPLY TO DESIGN UNITS. CONVERSIONS ARE ONLY FOR REFERENCE. UNLESS NOTED, TOLERANCES ARE:

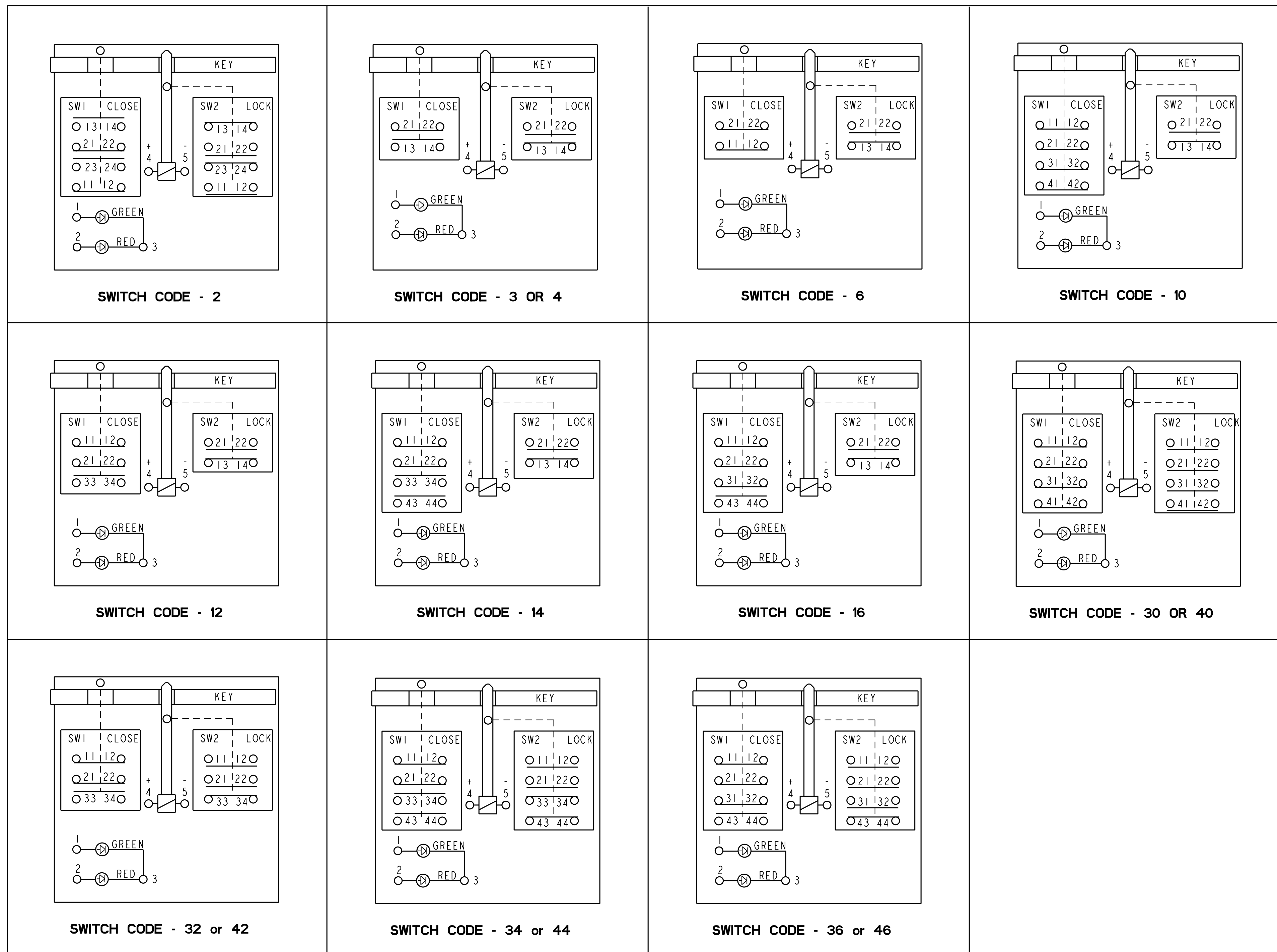
NO. PLACES	SI	US	NO. PLACES	SI	US
ONE	±0.1	±0.005	TWO	±0.01	±0.0005
TWO	±0.01	±0.0005	THREE	±0.001	±0.0001



BODY / INDICATOR CODES - F OR G
 TYPE / OVER-RIDE CODES - A OR B
 DIAGRAMS SHOWN WITH KEY INSERTED AND LOCKED

PTC/CAD 3D
 DRAWN MAM LOC 98
 CHECK CMH 12MAY99
 CHECK PRS 04FEB09
 CHECK CMH 10NOV11
 RELEASE NO. PR-23788
 REVISIONS
 M 04F7882
 S 04F7882
 Q 04F7882
 P 0065737
 J 04MAY10
 R 0083578
 ISSUE 5254
 DRAWING NUMBER 5254
 PAGE 11 OF 16
 REPLACES -

THIS DRAWING COVERS A PROPRIETARY ITEM AND IS THE PROPERTY OF MICRO SWITCH, A DIVISION OF HONEYWELL. THIS DRAWING IS NOT TO BE COPIED OR USED WITHOUT THE APPROVAL OF MICRO SWITCH. FED. MFG. CODE 91929		CATALOG LISTING		
MICRO SWITCH a Honeywell Division		SWITCH - DOOR INTERLOCK GK SERIES CHART 4		
DESIGN UNITS <input checked="" type="checkbox"/> SI METRIC <input type="checkbox"/> US CUSTOMARY <input type="checkbox"/>		TOLERANCES APPLY TO DESIGN UNITS. CONVERSIONS ARE ONLY FOR REFERENCE, UNLESS NOTED. TOLERANCES ARE:		
NO. PLACES	FR.	TOL.	FR.	TOL.
ONE PLACE	F.1	0.04	F.1	0.04
TWO PLACES	F.11	0.004	F.11	0.004
THREE PLACES	F.111	0.0004	F.111	0.0004
WEIGHT 1.5 KG / 3.3 LB		THIRD ANGLE PROJECTION DO NOT SCALE PRINT NTS		

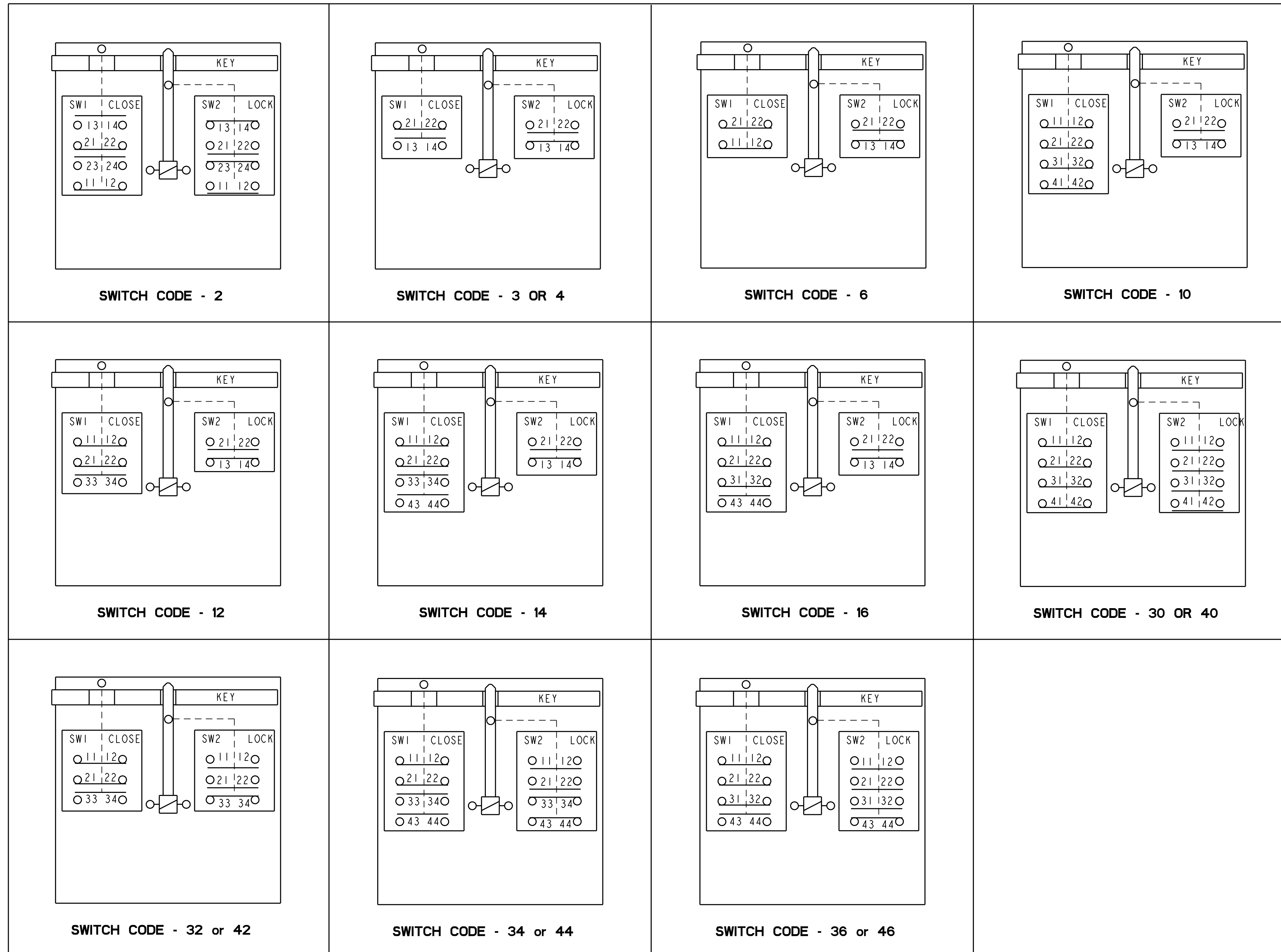


BODY / INDICATOR CODES - L OR R
 TYPE / OVER-RIDE CODES - S OR T
 DIAGRAMS SHOWN WITH KEY INSERTED AND LOCKED

PTC/CAD 3D
 DRAWN MAM LOC 98
 CHECKED DVM 21SEP06
 CHECKED PMS 0883578
 JIMAT10
 0065737
 DATE 09/09
 CHECKED CMH
 RELEASE NO. PR-23788
 PAGE 12 OF 16
 DRAWING NUMBER
 M GK SERIES CHART 4
 ISSUE 5254

THIS DRAWING COVERS A PROPRIETARY ITEM AND IS THE PROPERTY OF MICRO SWITCH, A DIVISION OF HONEYWELL. THIS DRAWING IS NOT TO BE COPIED OR USED WITHOUT THE APPROVAL OF MICRO SWITCH. FED. MFG. CODE 91929		CATALOG LISTING	
MICRO SWITCH a Honeywell Division		SWITCH - DOOR INTERLOCK GK SERIES CHART 4	
DESIGN UNITS <input checked="" type="checkbox"/> SI METRIC <input type="checkbox"/> US CUSTOMARY <input type="checkbox"/>		WEIGHT 1.5 KG / 3.3 LB	

THIRD ANGLE PROJECTION			
SCALE NTS			
DO NOT SCALE PRINT			
TOLERANCES			
APPLY TO DESIGN UNITS. CONVERSIONS ARE ONLY FOR REFERENCE. UNLESS NOTED, TOLERANCES ARE:			
NO. PLACES	TOL.	NO. PLACES	TOL.
ONE PLACE	±.04	TWO PLACES	±.005
TWO PLACES	±.01	THREE PLACES	±.001
THREE PLACES	±.001		



BODY / INDICATOR CODES - F OR G
 TYPE / OVER-RIDE CODES - S OR T
 DIAGRAMS SHOWN WITH KEY INSERTED AND LOCKED

PTC/CAD 3D
 DRAWING NUMBER 5254
 MAM LOC 98
 CHECK CMH
 12MAY99
 PERS
 0883578
 0065137
 04FEB99
 13 OF 16
 RELEASE NO. PR-23788
 REPLACES

THIS DRAWING COVERS A PROPRIETARY ITEM AND IS THE PROPERTY OF MICRO SWITCH, A DIVISION OF HONEYWELL. THIS DRAWING IS NOT TO BE COPIED OR USED WITHOUT THE APPROVAL OF MICRO SWITCH. FED. MFG. CODE 91929		CATALOG LISTING	
MICRO SWITCH a Honeywell Division		SWITCH - DOOR INTERLOCK	
DESIGN UNITS <input checked="" type="checkbox"/> SI METRIC <input type="checkbox"/> US CUSTOMARY		GK SERIES CHART 4	
WEIGHT 1.5 KG / 3.3 LB		THIRD ANGLE PROJECTION SCALE NTS DO NOT SCALE PRINT TOLERANCES APPLY TO DESIGN UNITS. CONVERSIONS ARE ONLY FOR REFERENCE. UNLESS NOTED, TOLERANCES ARE: DIM. TOL. DIM. TOL. NO. PLACES 0.04 0.04 0.04 0.04 TWO PLACES 0.05 0.05 0.05 0.05 THREE PLACES 0.05 0.05 0.05 0.05 ANGLES 0.15 0.15 0.15 0.15	

X-ON Electronics

Largest Supplier of Electrical and Electronic Components

Click to view similar products for [Basic / Snap Action Switches](#) category:

Click to view products by [Honeywell](#) manufacturer:

Other Similar products are found below :

[83228001](#) [01.098.1358.1](#) [602EN1-6B](#) [602EN532](#) [602EN535-RB](#) [602HE5-RB1](#) [604HE162](#) [604HE223-6B](#) [624HE17-RB](#) [6HM89](#) [6PA78-JM](#)
[6SE1](#) [6SX1-H58](#) [70500840](#) [MBD5B1](#) [MBH2731](#) [73-316-0012](#) [79211759](#) [79211923](#) [79218589](#) [7AS12](#) [ML-1155](#) [ML-1376](#) [831010C3.0](#)
[831060C3.TL](#) [831090C2.EL](#) [83131904](#) [84212012](#) [8AS239](#) [8HM73-3](#) [903VB1-PG](#) [914CE1-6G](#) [PL-100](#) [11SM1077-H4](#) [11SM1077-H58](#)
[11SM1-TN107](#) [11SM405](#) [11SM703-T](#) [11SM8423-H2](#) [11SX37-T](#) [11SX48-H58](#) [11SX55-H58](#) [11SM2442-T](#) [11SM76-T](#) [11SM77-H58](#)
[11SM77-T](#) [11SM863-T](#) [11SM866](#) [11SX47-H58](#) [A7CN-1M-1-LEFT](#)