

GN 479.1

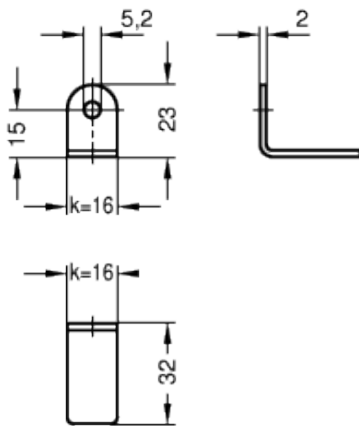
Retaining plates



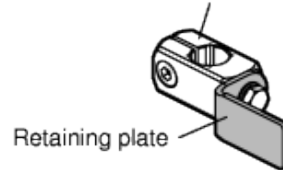
INOX
Stainless Steel



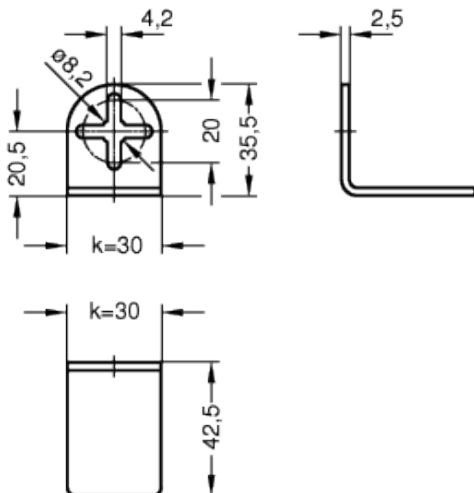
Swivel width $k=16$



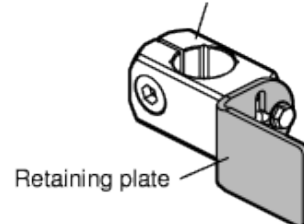
Clamp mounting GN 478



Swivel width $k=30$



Clamp mounting GN 47





technical informations

Material

AISI 304 stainless steel, matte shot-blasted.

Assembly

Fixing screws are not included parts of the order.

Features and applications

Retaining plates GN 479.1 are designed as universal mounting elements, e.g. for integrating specific bore patterns. The attachment bore matches the central thread of GN 478 clamp mounting. For $k=30$, the cross-shaped oblong holes long provide extra adjustability and allow the use of two fixing screws. Fixing screws to be ordered separately.

Standard Elements	Main dimensions	Weight
Description	k	g
GN 479.1-16	16	104
GN 479.1-30	30	37



STANDARD MACHINE ELEMENTS WORLDWIDE

X-ON Electronics

Largest Supplier of Electrical and Electronic Components

Click to view similar products for [Sensor Fixings & Accessories](#) category:

Click to view products by [Elesa & Ganter](#) manufacturer:

Other Similar products are found below :

[EC18-WELL](#) [SA9Z-F11](#) [E4R-R12A-CS3M010](#) [E4R-R12A-CS3M020](#) [BS-1T CHITAN](#) [ICAB-1](#) [SA9Z-S07PN02](#) [ECT18-WELL](#) [57142-000](#)
[79450811](#) [T18908](#) [P2435.3](#) [TM1STNTCW69755](#) [FRS2](#) [P2432.3](#) [P2434.3](#) [AS7030B_WRISTBAND](#) [AS7038GB_WRISTBAND](#) [EVAL-](#)
[CHAMBER](#) [EVAL-CHAMBER-10](#) [MB18A](#) [R-6717-4F6](#) [51001R](#) [430233](#) [440101](#) [440102](#) [440121](#) [440122](#) [440131](#) [440132](#) [440135](#)
[440136](#) [440147](#) [XSZB108](#) [Y92E-BC12](#) [Y92E-BC18](#) [843-12AC/DC](#) [844-12AC/DC](#) [771000-6011](#) [771000-6202](#) [812-12AC/DC](#) [834-](#)
[12AC/DC](#) [909G](#) [910G](#) [913G](#) [92.031.9058.1](#) [92.032.9058.1](#) [925G](#) [771000-6010](#) [GN 473-B12-MT](#)