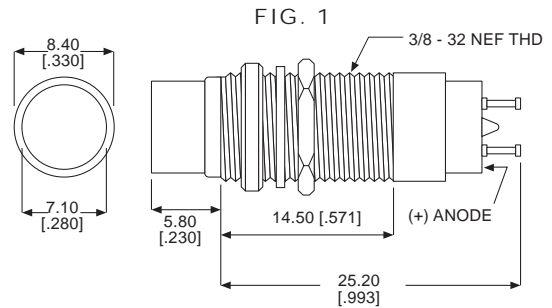


249 SERIES FOR 3/8" MOUNTING HOLE • CYLINDRICAL CAP

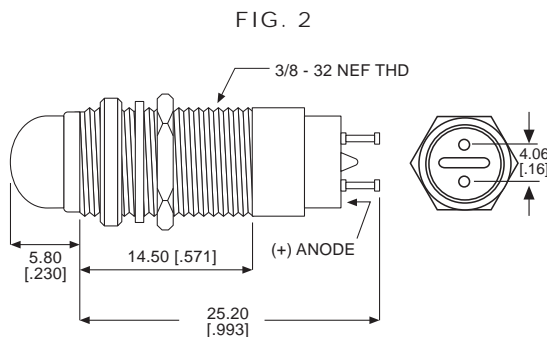
| PART NO. | COLOR | V _F | mA | mcd† | FIG. |
|-------------------|--------|----------------|----|------|------|
| 249-4162-3334-504 | Blue | 3 | 10 | 120 | 1 |
| 249-7867-3331-504 | Red | 3.6 | 20 | 30 | 1 |
| 249-7967-3332-504 | Green | 3.6 | 20 | 40 | 1 |
| 249-8067-3333-504 | Yellow | 3.6 | 20 | 40 | 1 |
| 249-4164-3334-504 | Blue | 5 | 10 | 120 | 1 |
| 249-7868-3331-504 | Red | 5 | 20 | 30 | 1 |
| 249-7968-3332-504 | Green | 5 | 20 | 40 | 1 |
| 249-8068-3333-504 | Yellow | 5 | 20 | 40 | 1 |
| 249-4166-3334-504 | Blue | 10 | 10 | 120 | 1 |
| 249-7870-3331-504 | Red | 10 | 20 | 30 | 1 |
| 249-7970-3332-504 | Green | 10 | 20 | 40 | 1 |
| 249-8070-3333-504 | Yellow | 10 | 20 | 40 | 1 |
| 249-4167-3334-504 | Blue | 14 | 10 | 120 | 1 |
| 249-7871-3331-504 | Red | 14 | 20 | 30 | 1 |
| 249-7971-3332-504 | Green | 14 | 20 | 40 | 1 |
| 249-8071-3333-504 | Yellow | 14 | 20 | 40 | 1 |
| 249-4168-3334-504 | Blue | 28 | 10 | 120 | 1 |
| 249-7872-3331-504 | Red | 28 | 20 | 30 | 1 |
| 249-7972-3332-504 | Green | 28 | 20 | 40 | 1 |
| 249-8072-3333-504 | Yellow | 28 | 20 | 40 | 1 |



† mcd intensity of LED

Material & Finish: Housing, Cartridge and Holder - Black Anodized Aluminum. Cap -High Impact Plastic

249 SERIES FOR 3/8" MOUNTING HOLE • STOVEPIPE CAP



| PART NO. | COLOR | V _F | mA | mcd† | FIG. |
|-------------------|--------|----------------|----|------|------|
| 249-4162-3734-504 | Blue | 3 | 10 | 400 | 2 |
| 249-7867-3731-504 | Red | 3.6 | 20 | 30 | 2 |
| 249-7967-3732-504 | Green | 3.6 | 20 | 40 | 2 |
| 249-8067-3733-504 | Yellow | 3.6 | 20 | 40 | 2 |
| 249-4164-3734-504 | Blue | 5 | 10 | 400 | 2 |
| 249-7868-3731-504 | Red | 5 | 20 | 30 | 2 |
| 249-7968-3732-504 | Green | 5 | 20 | 40 | 2 |
| 249-8068-3733-504 | Yellow | 5 | 20 | 40 | 2 |
| 249-4166-3734-504 | Blue | 10 | 10 | 400 | 2 |
| 249-7870-3731-504 | Red | 10 | 20 | 30 | 2 |
| 249-7970-3732-504 | Green | 10 | 20 | 40 | 2 |
| 249-8070-3733-504 | Yellow | 10 | 20 | 40 | 2 |
| 249-4167-3734-504 | Blue | 14 | 10 | 400 | 2 |
| 249-7871-3731-504 | Red | 14 | 20 | 30 | 2 |
| 249-7971-3732-504 | Green | 14 | 20 | 40 | 2 |
| 249-8071-3733-504 | Yellow | 14 | 20 | 40 | 2 |
| 249-4168-3734-504 | Blue | 28 | 10 | 400 | 2 |
| 249-7872-3731-504 | Red | 28 | 20 | 30 | 2 |
| 249-7972-3732-504 | Green | 28 | 20 | 40 | 2 |
| 249-8072-3733-504 | Yellow | 28 | 20 | 40 | 2 |

† mcd intensity of LED

Material & Finish: Housing, Cartridge and Holder - Black Anodized Aluminum. Cap -High Impact Plastic

Dimensions in mm [inches]

X-ON Electronics

Largest Supplier of Electrical and Electronic Components

Click to view similar products for [LED Panel Mount Indicators](#) category:

Click to view products by [Dialight](#) manufacturer:

Other Similar products are found below :

[607-1312-310F](#) [607-3232-140F](#) [6091M1-24V](#) [6091M5-24V](#) [6091M7-24V](#) [821-0331-503](#) [FL2870C8R](#) [FL2950WL7B](#) [FL589WL8R](#)
[Q6P3BXXB12E](#) [H8630FBBA3](#) [MPC5ADW6.0](#) [DX1091GN](#) [NL177WL3G](#) [NL276C3G](#) [NL2950BWL3G](#) [NL2950CWL2R](#) [NL589WL2R](#)
[NL67C3G](#) [NL67C3R](#) [2191L1-12V](#) [PB22SIOL0RG](#) [PB22SPPM41R](#) [PB22SPPM61R](#) [LE177C5B](#) [LH1048BSWL3702](#) [LH1048BWL3702](#)
[LH382A](#) [LHM62B](#) [SSI-LXH387USBD-150](#) [SSI-LXH9ZIC40587](#) [SSP-LXS110818BA](#) [FL2950BWL7R](#) [FL2950WL7R](#) [FL2951WL8G](#)
[FL2951WL8R](#) [FL589C7R](#) [FL67C7R](#) [FL67WL8G](#) [2191QU7-24V](#) [2191U1-12V](#) [2191U5-12V](#) [2191U5-6V](#) [2191U7-12V](#) [249-4167-3734-504F](#) [Q6P5BXXG02E](#) [3990A7](#) [5110F3-12V](#) [MPC5BCW18.0](#) [556-1237-801F](#)