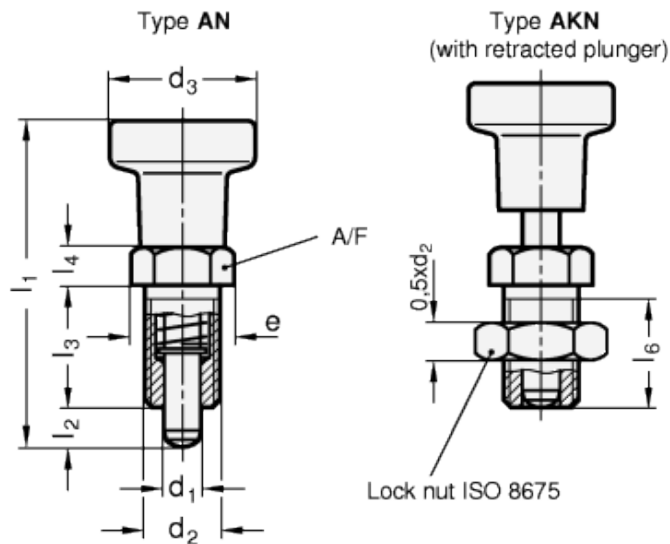


GN 617-NI

Indexing plungers



INOX
Stainless Steel



technical informations

Threaded body
AISI 303 stainless steel.

Plunger

Nickel-plated AISI 303 stainless steel. Suggested matching hole in H7 tolerance.

Locking nut

AISI 304 stainless steel.

"Push/Pull" knob

High resilience polyamide based (PA) technopolymer, black colour, matte finish. Resistant to solvents, oils, greases and other chemical agents.

Standard executions available

- Version A: with knob, without locking nut, ISO 8675.
- Version AK: with knob and locking nut.
- Version G: without knob, without locking nut.
- Version GK: without knob, with locking nut, ISO 8675.

Versions G and GK, without knob, are provided with threaded drive rod for combination with knobs on customer's request or to join the rod to an operating mechanism of the machine.

Accessories on request (For sufficient quantities)

GN 609.5 AISI 303 stainless steel distance bushings are available for making up for the length of the threading in case the plunger is assembled on thin sheets.

Features and applications

GN 617-NI indexing plungers are used where positioning operations are required. AISI 303 stainless steel, thanks to its high resistance to corrosion, allows the application of these indexing plungers on machines and equipment in those sectors where laws or particular hygienic, climatic and environmental factors make it mandatory to use corrosion resistant materials.

Standard Elements	Main dimensions											Spring pressure		Weight
	Description	d _{-0.02 -0.04}	L	d ₁	d ₂	D	I	l _{1 min.}	l ₂	l _{3 min.}	l ₄	s	Preload in N ≈	
GN 617-5-A-NI	5	23	M10x1	-	21	17	5	5	15	-	12	6	15	20
GN 617-6-A-NI	6	28.5	M12x1.5	-	25	20	6	6	17	-	14	8	21	32
GN 617-8-A-NI	8	35	M16x1.5	-	31	26	8	8	23	-	19	9	26	70
GN 617-10-A-NI	10	37	M20x1.5	-	31	33	10	10	30	-	22	17	40	115
GN 617-5-AK-NI	5	23	M10x1	-	21	17	5	5	15	-	12	6	15	24
GN 617-6-AK-NI	6	28.5	M12x1.5	-	25	20	6	6	17	-	14	8	21	42
GN 617-8-AK-NI	8	35	M16x1.5	-	31	26	8	8	23	-	19	9	26	90
GN 617-10-AK-NI	10	37	M20x1.5	-	31	33	10	10	30	-	22	17	40	143
GN 617-5-G-NI	5	23	M10x1	M5	21	17	5	5	15	6	12	6	15	15
GN 617-6-G-NI	6	28.5	M12x1.5	M6	25	20	6	6	17	10	14	8	21	25
GN 617-8-G-NI	8	35	M16x1.5	M8	31	26	8	8	23	12	19	9	26	57
GN 617-10-G-NI	10	37	M20x1.5	M8	31	33	10	10	30	12	22	17	40	100
GN 617-5-GK-NI	5	23	M10x1	M5	21	17	5	5	15	6	12	6	15	22
GN 617-6-GK-NI	6	28.5	M12x1.5	M6	25	20	6	6	17	10	14	8	21	35
GN 617-8-GK-NI	8	35	M16x1.5	M8	31	26	8	8	23	12	19	9	26	77
GN 617-10-GK-NI	10	37	M20x1.5	M8	31	33	10	10	30	12	22	17	40	130



ELESA and GANTER models all rights reserved in accordance with the law. Always mention the source when reproducing our drawings.

STANDARD MACHINE ELEMENTS WORLDWIDE

X-ON Electronics

Largest Supplier of Electrical and Electronic Components

Click to view similar products for [Hand Tools](#) category:

Click to view products by [Elesa & Ganter](#) manufacturer:

Other Similar products are found below :

[568681-1](#) [576786-2](#) [58061-1](#) [58176-1](#) [58177-1](#) [58177-2](#) [58284-1](#) [59085](#) [0031](#) [59737-5](#) [015-0339-000](#) [015-8755-001](#) [600-146-06](#) [M15570-25](#) [62200-5709](#) [6-304052-1](#) [63443-1002](#) [63443-3513](#) [63443-4025](#) [63443-7114](#) [6-354778-5](#) [6-354779-2](#) [63600-2995](#) [63810-0105](#) [M8196914-08](#) [M819698-07](#) [662508-1](#) [662908-1](#) [679994-1](#) [679994-2](#) [68764-0001](#) [69001-0105](#) [69002-5525](#) [690124-7](#) [690191-1](#) [690191-4](#) [690696-1](#) [691409-4](#) [691667-1](#) [692006-2](#) [692655-7](#) [692776-1](#) [692776-4](#) [693077-3](#) [693077-4](#) [693597-1](#) [D20418-137](#) [D20419-189](#) [ESR-17x17](#) [ET-LY10](#)