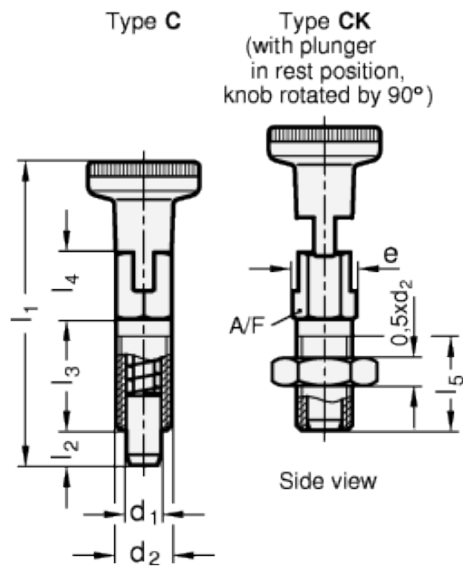


GN 717-C

Indexing plungers with rest position



technical informations

Threaded body

Zinc-plated steel.

Plunger

AISI 303 stainless steel.

Suggested matching hole with tolerance $+0.03/+0.08$.

Locking nut

Zinc-plated steel.

"Push/Pull" knurled knob

High resilience polyamide based (PA) technopolymer, black colour, matte finish. Resistant to solvents, oils, greases and other chemical agents.

Standard versions available

- Type C: with knob, without locking nut.
- Type CK: with knob and locking nut, ISO 4035.

Features and applications

Indexing plungers with rest position are used GN 717-C where positioning operations are required and in those applications where the plunger needs to be locked in the retracted position.

GN 717-C are a range of low cost indexing plungers which score highly on small dimensions. Their use should, however be limited to such applications where high precision indexing is not required.

Due to comparably small dimensions indexing plungers GN 717-C, it is advisable to follow the data listed in above table regarding maximum tightening torque during assembly.

Standard Elements	Main dimensions										max. tightening torque in Nm	Spring pressure in N \approx		Weight g
	Description	d ₁ h11	d ₂	d ₄	e	l ₁	l ₂ min.	l ₃	l ₄	l ₅ min.		A/F	Preload	
GN 717-3-M6-C-ST	3	M6	12	6.9	32.5	3.5	12	7	10	6	2	3	12	4
GN 717-4-M6-C-ST	4	M6	12	6.9	33	4	12	7	10	6	2	3	12	4
GN 717-5-M8-C-ST	5	M8	16	6.9	43.5	5	16	9.5	13.5	8	7	5	24	10
GN 717-6-M10-C-ST	6	M10	18	6.9	52	6	20	10.5	17	10	15	5	21	19
GN 717-8-M12-C-ST	8	M12	21	6.9	63.5	8	24	13.5	20.5	12	20	6	22	29
GN 717-3-M6-CK-ST	3	M6	12	6.9	32.5	3.5	12	7	10	6	2	3	12	4
GN 717-4-M6-CK-ST	4	M6	12	6.9	33	4	12	7	10	6	2	3	12	15
GN 717-5-M8-CK-ST	5	M8	16	6.9	43.5	5	16	9.5	13.5	8	7	5	24	12
GN 717-6-M10-CK-ST	6	M10	18	6.9	52	6	20	10.5	17	10	15	5	21	24
GN 717-8-M12-CK-ST	8	M12	21	6.9	63.5	8	24	13.5	20.5	12	20	6	22	65
GN 717-3-M6x0.75-C-ST	3	M6x0.75	12	6.9	32.5	3.5	12	7	10	6	3	3	12	4
GN 717-4-M8x1-C-ST	4	M8x1	16	9.2	43	4.5	16	9.5	13.5	8	8	5	24	10
GN 717-5-M10x1-C-ST	5	M10x1	18	11.5	46	5	16	10	16	10	22	5	24	16
GN 717-6-M12x1.5-C-ST	6	M12x1.5	21	13.8	55	6	20	11	20	12	38	5	21	35
GN 717-8-M16x1.5-C-ST	8	M16x1.5	25	19.6	68	8	24	13.5	24	17	80	6	22	36
GN 717-3-M6x0.75-CK-ST	3	M6x0.75	12	6.9	32.5	3.5	12	7	10	6	3	3	12	9
GN 717-4-M8x1-CK-ST	4	M8x1	16	9.2	43	4.5	12	9.5	13.5	8	8	3	12	12
GN 717-5-M10x1-CK-ST	5	M10x1	18	11.5	46	5	16	10	16	10	22	5	24	24
GN 717-6-M12x1.5-CK-ST	6	M12x1.5	21	13.8	55	6	20	11	20	12	38	5	21	46
GN 717-8-M16x1.5-CK-ST	8	M16x1.5	25	19.6	68	8	24	13.5	24	17	80	6	22	80



ELESA and GANTER models all rights reserved in accordance with the law. Always mention the source when reproducing our drawings.

X-ON Electronics

Largest Supplier of Electrical and Electronic Components

Click to view similar products for [Hand Tools](#) category:

Click to view products by [Elesa & Ganter](#) manufacturer:

Other Similar products are found below :

[568681-1](#) [576786-2](#) [58061-1](#) [58176-1](#) [58177-1](#) [58177-2](#) [58284-1](#) [59085](#) [0031](#) [59737-5](#) [015-0339-000](#) [015-8755-001](#) [600-146-06](#) [M15570-25](#) [62200-5709](#) [6-304052-1](#) [63443-1002](#) [63443-3513](#) [63443-4025](#) [63443-7114](#) [6-354778-5](#) [6-354779-2](#) [63600-2995](#) [63810-0105](#) [M8196914-08](#) [M819698-07](#) [662508-1](#) [662908-1](#) [679994-1](#) [679994-2](#) [68764-0001](#) [69001-0105](#) [69002-5525](#) [690124-7](#) [690191-1](#) [690191-4](#) [690696-1](#) [691409-4](#) [691667-1](#) [692006-2](#) [692655-7](#) [692776-1](#) [692776-4](#) [693077-3](#) [693077-4](#) [693597-1](#) [D20418-137](#) [D20419-189](#) [ESR-17x17](#) [ET-LY10](#)