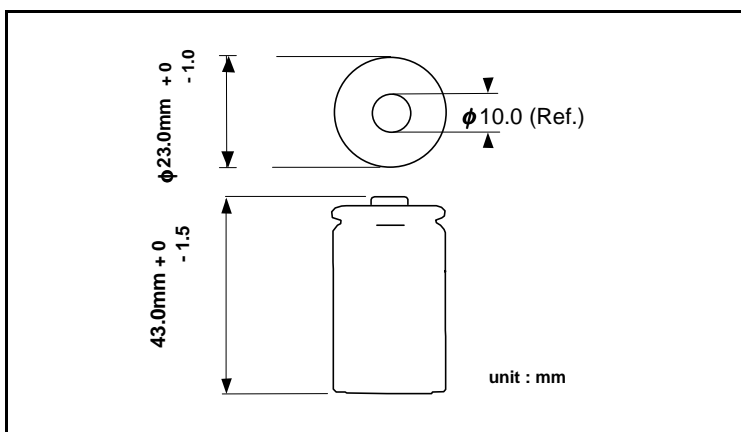


GP Batteries

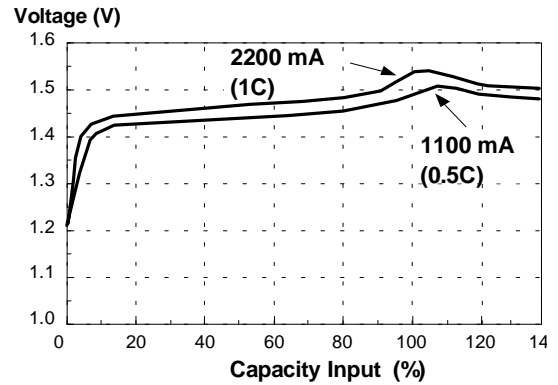
Data Sheet

Model No.: GP220SCH

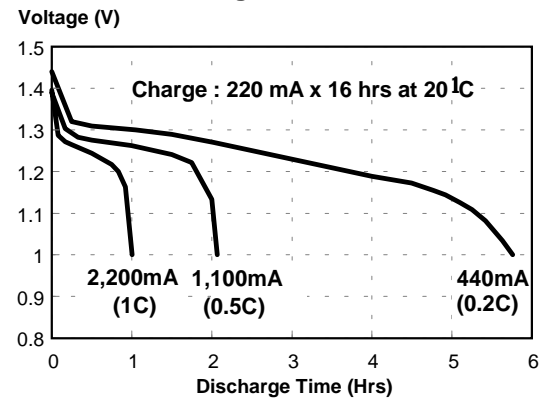
Type	: Rechargeable Nickel Metal Hydride Cylindrical Cell	
Nominal Dimension (with Sleeve)	: $\varnothing = 23.0\text{mm}$ H = 43.0mm	
Application	: Discharge current 220mA to 29A (Continuous) 58A (Momentary)	
Nominal Voltage	: 1.2V	
Nominal Capacity	: Minimum : 2200mAh Typical : 2420mAh when discharged at 440mA to 1.0V at 20°C	
Charging Condition	: 220mA for 16 hrs at 20°C	
Fast Charge	: 1100mA to 2200mA (0.5C to 1C) with charge termination control. Recommended control parameter :	
	- ΔV	: 0-5mV
	dT/dt	: 0.8°C/min (0.5C to 0.9C) : 0.8-1°C/min (1C)
	TCO	: 45-50°C
	Timer	: 105% nominal input (Secondary)
Service Life	: > 500 cycles (IEC standard)	
Continuous Overcharge	: 220mA maximum current No conspicuous deformation and/or leakage	
Weight	: 55.0g	
Internal Resistance	: Average 7m Ω upon fully charged (Range : 5-8m Ω) at 1000Hz	
Max. Charging Voltage	: 1.5V at 220mA charging	
Ambient Temperature Range	Standard Charging	: 0°C to 40°C
	Fast Charging	: 10°C to 40°C
	Discharging	: -20°C to 50°C
	Storage	: -20°C to 35°C
	Storage (1 week)	: -20°C to 60°C



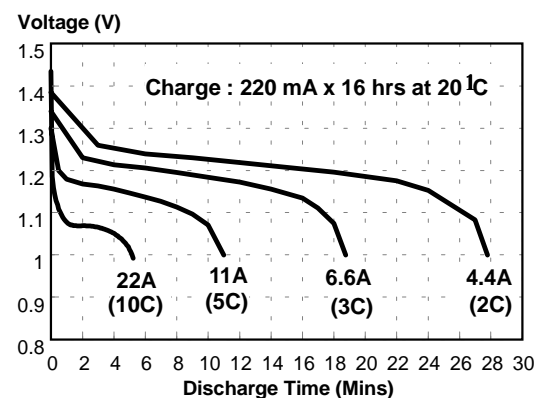
Fast Charge (Charge Control required)



Low Rate Discharge



High Rate Discharge



* The information (subject to change without prior notice) contained in this document is for reference only and should not be used as a basis for product guarantee or warranty. For application other than those described here, please consult GP Sales and Marketing Office or Distributors.

X-ON Electronics

Largest Supplier of Electrical and Electronic Components

Click to view similar products for [Battery Packs](#) category:

Click to view products by [GP Batteries](#) manufacturer:

Other Similar products are found below :

[2280309-1](#) [R101-B](#) [4114 210 501](#) [4120 210 501](#) [4600 726 406](#) [4610 726 406](#) [312G-U1](#) [55615703012](#) [3LR12](#) [4103 210 392](#) [4103 210 394](#)
[4106 210 392](#) [4106 210 394](#) [4223 210 501](#) [4606 726 406](#) [4607 726 406](#) [ZA13](#) [LR03/AAA/MN2400\(K4\)](#) [LR03 MAXELL S4](#) [LR1130](#)
[MAXELL B10](#) [LR14-MN1400-C K2](#) [LR1/910A](#) [LR41 MAXELL B10](#) [LR43](#) [LR43 MAXELL B10](#) [LR6 MAXELL S4](#) [11012](#) [E23A](#) [E90](#)
[625302](#) [625304](#) [637871](#) [638006](#) [6LF22/9V/MN1604\(K1\)C&B](#) [6LF22/9V/MN1604 PLUS](#) [6LR61](#) [SR626SW MAXELL](#) [SR920SW](#)
[MAXELL](#) [7K67 J](#) [55615303059](#) [GP14A S2](#) [GP15E](#) [GP1604GLF-2UE1](#) [GP 1604 ULTRA PLUS](#) [23733](#) [10 ET](#) [675 ET](#) [11A B5](#) [A544](#) [A76-](#)
[U10](#)