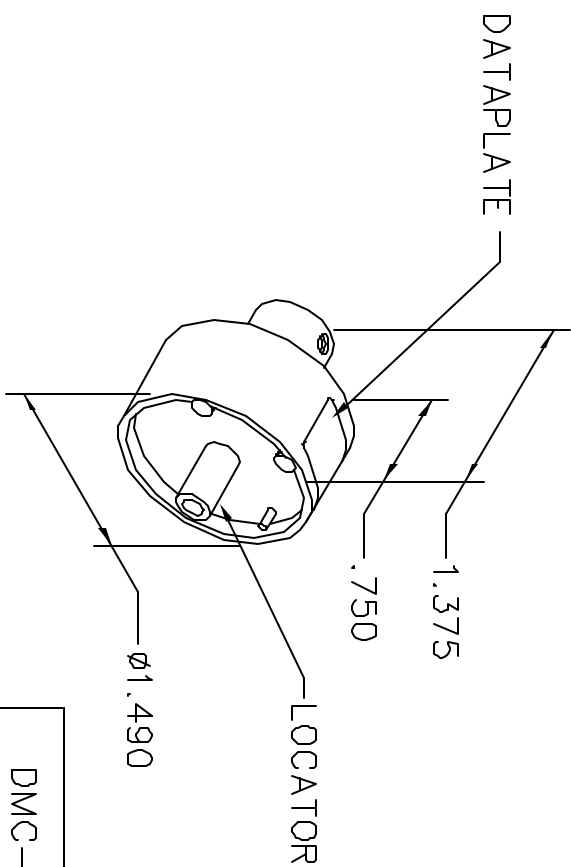


REVISIONS				
REV. SYM.	E.C.O. NUMBER	DESCRIPTION	BY DATE	APP'D DATE
1		ORIGINAL RELEASE	RRR 9-14-01	RRR 9-14-01

**UNCONTROLLED DOCUMENT  
WILL NOT BE UPDATED**



DMC-USA CAGE 11851  
GP295 HEAD ASSEMBLY  
M22520/4-02  
USE WITH  
M22520/4-01 BASIC TOOL

M24308/14 & M24308/15  
OUTER PIN & SOCKET  
-1 FOR RG/U196A & 178B  
-2 FOR RG/U174, 188A &  
RG/U316

DATAPLATE

LOCATOR	
HOLE DIMENSIONS	ADDITIONAL FEATURES
Ø.116 ▽.641 MIN.	L □ Ø.140 ▽.013

**RESTRICTED & CONFIDENTIAL**

CONFIDENTIAL PROPERTY OF DANIELS MANUFACTURING CORP. NOT TO BE DISCLOSED TO OTHERS, REPRODUCED OR USED FOR ANY OTHER PURPOSE, EXCEPT AS AUTHORIZED IN WRITING BY DANIELS MANUFACTURING. MUST BE RETURNED TO DANIELS MANUFACTURING CORP. ON COMPLETION OF ORDER OR OTHER PURPOSE FOR WHICH LENT.

DO NOT SCALE DRAWING

DRN. A. MOO-YOUNG	DATE 9-14-01
CHK'D. RRR	DATE 9-14-01
APP'D.	DATE
APP'D.	DATE



DANIELS MANUFACTURING CORP.  
ORLANDO, FLORIDA  
CAGE 11851

TITLE  
ENVELOPE DRAWING  
SINGLE POSITION HEAD

WHERE USED:

SIZE	SCALE	CAD P/N	SHEET	OF
A	NTS	GP295-ENV	1	1

POSTING	P/N	REV.
	GP295-ENV	1

## X-ON Electronics

Largest Supplier of Electrical and Electronic Components

*Click to view similar products for [Hand Tools](#) category:*

*Click to view products by [Daniels](#) manufacturer:*

Other Similar products are found below :

[568681-1](#) [576786-2](#) [58061-1](#) [58176-1](#) [58177-1](#) [58177-2](#) [58284-1](#) [59085](#) [0031](#) [59737-5](#) [015-0339-000](#) [015-8755-001](#) [600-146-06](#) [M15570-25](#) [62200-5709](#) [6-304052-1](#) [63443-1002](#) [63443-3513](#) [63443-4025](#) [63443-7114](#) [6-354778-5](#) [6-354779-2](#) [63600-2995](#) [63810-0105](#) [M8196914-08](#) [M819698-07](#) [662508-1](#) [662908-1](#) [679994-1](#) [679994-2](#) [68764-0001](#) [69001-0105](#) [69002-5525](#) [690124-7](#) [690191-1](#) [690191-4](#) [690696-1](#) [691409-4](#) [691667-1](#) [692006-2](#) [692655-7](#) [692776-1](#) [692776-4](#) [693077-3](#) [693077-4](#) [693597-1](#) [D20418-137](#) [D20419-189](#) [ESR-17x17](#) [ET-LY10](#)