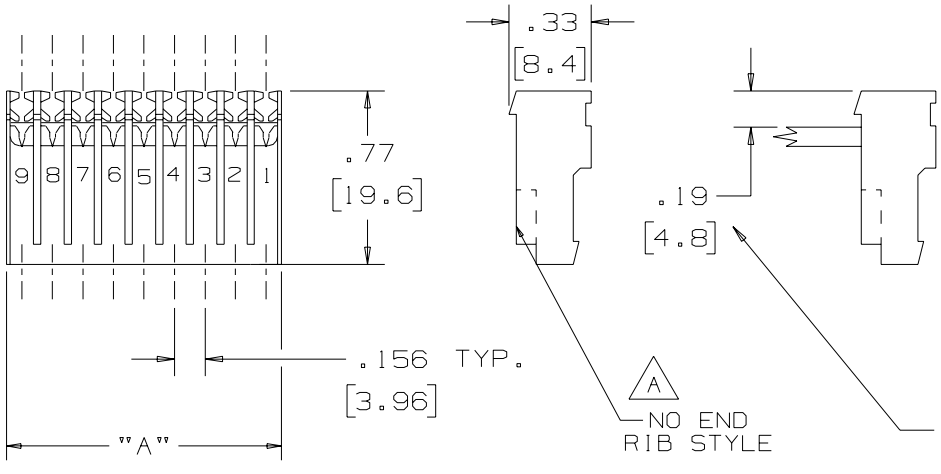


THIS COPY IS PROVIDED ON A RESTRICTED BASIS AND IS NOT TO BE USED IN ANY WAY DETRIMENTAL TO THE INTERESTS OF ITW PANCON.



VOLTAGE RATING: 300 VAC		
TEMPERATURE RATING: -55 ° TO 105 ° C		
WIRE RANGE: .040"/.090" OUTSIDE DIAMETER		
WIRE GAUGE AWG [mm <sup>2</sup> ]	CONNECTOR STRIPE COLOR	CURRENT RATING, AMPS
18 [0.8-0.9]	ORANGE	8.0
20 [0.5-0.6]	BROWN	7.5
22 [0.3-0.4]	RED	6.5
24 [0.2]	BLACK	5.0

NOTES:

- \*1. SEE PART NUMBER SHEET FOR PACKAGE SIZES
- 2. CONTACT MATERIAL: BRASS ALLOY; BRIGHT ACID TIN OVER NICKEL PLATING.
- 3. HOUSING MATERIAL: NYLON 6/6; UL 94V-2.
- 4. FOR 15 MICROINCH GOLD OVER NICKEL OR GOLD FLASH OVER PALLADIUM NICKEL, ADD THE "B" SUFFIX TO THE PART NUMBER
- 5. ALL DIMENSIONS ARE SHOWN IN INCHES AND [MILLIMETERS].



U.L. RECOGNIZED...FILE #E73711

**ITW Pancon** Bolingbrook, Illinois

MAS-CON<sup>®</sup>, .156"  
END CIRCUIT CONNECTOR

UNLESS OTHERWISE SPECIFIED, DIMENSIONAL TOLERANCES ARE:  
 (.X) ± (.XXX) ± .005(.12)  
 (.XX) ± .02(.5) ANGLES ±

UNLESS OTHERWISE SPECIFIED, ALL DIMENSIONS ARE GIVEN IN INCHES. THIRD ANGLE PROJECTION. SCALE 1 : 1

DATE 10-18-85  
 DRAWING NO. KA-10000  
 SHT 1 OF 2  
 DWG. SIZE A

SEE NOTES

13	6/28/10	SHC	ADDED PDNI PLATING ALTERNATIVE	CN - R	CUST	SUP	
REV	DATE	BY	CHK	DESCRIPTION	CN - R	CUST	SUP

THIS COPY IS PROVIDED ON A RESTRICTED BASIS AND IS NOT TO BE USED IN ANY WAY DETRIMENTAL TO THE INTERESTS OF ITW PANCON.

No. OF CIRCUITS	DIM "A" IN. (mm)	PART NUMBER *				WT./100 PCS. Lbs. (GRAMS)
		18 AWG	20 AWG	22 AWG	24 AWG	
2	.31 (7.9)	**CE156F18-2-D	CE156F20-2-D	CE156F22-2-D	CE156F24-2-D	.21 (95)
3	.47 (11.9)	CE156F18-3-D	CE156F20-3-D	CE156F22-3-D	CE156F24-3-D	.32 (145)
4	.62 (15.8)	CE156F18-4-D	CE156F20-4-D	CE156F22-4-D	CE156F24-4-D	.43 (195)
5	.78 (19.8)	CE156F18-5-D	CE156F20-5-D	CE156F22-5-D	CE156F24-5-D	.53 (240)
6	.94 (23.8)	CE156F18-6-C	CE156F20-6-C	CE156F22-6-C	CE156F24-6-C	.64 (290)
7	1.09 (27.7)	CE156F18-7-C	CE156F20-7-C	CE156F22-7-C	CE156F24-7-C	.75 (340)
8	1.25 (31.7)	CE156F18-8-C	CE156F20-8-C	CE156F22-8-C	CE156F24-8-C	.85 (386)
9	1.40 (35.7)	CE156F18-9-C	CE156F20-9-C	CE156F22-9-C	CE156F24-9-C	.96 (435)
10	1.56 (39.6)	CE156F18-10-C	CE156F20-10-C	CE156F22-10-C	CE156F24-10-C	1.07 (485)
11	1.72 (43.6)	CE156F18-11-C	CE156F20-11-C	CE156F22-11-C	CE156F24-11-C	1.17 (531)
12	1.87 (47.5)	CE156F18-12-C	CE156F20-12-C	CE156F22-12-C	CE156F24-12-C	1.28 (581)
13	2.03 (51.5)	CE156F18-13-C	CE156F20-13-C	CE156F22-13-C	CE156F24-13-C	1.39 (630)
14	2.18 (55.5)	CE156F18-14-C	CE156F20-14-C	CE156F22-14-C	CE156F24-14-C	1.49 (676)
15	2.34 (59.4)	CE156F18-15-C	CE156F20-15-C	CE156F22-15-C	CE156F24-15-C	1.60 (726)
16	2.50 (63.4)	CE156F18-16-C	CE156F20-16-C	CE156F22-16-C	CE156F24-16-C	1.71 (776)
17	2.65 (67.4)	CE156F18-17-C	CE156F20-17-C	CE156F22-17-C	CE156F24-17-C	1.81 (821)
18	2.81 (71.3)	CE156F18-18-C	CE156F20-18-C	CE156F22-18-C	CE156F24-18-C	1.92 (871)
19	2.96 (75.3)	CE156F18-19-C	CE156F20-19-C	CE156F22-19-C	CE156F24-19-C	2.03 (921)
20	3.12 (79.2)	CE156F18-20-C	CE156F20-20-C	CE156F22-20-C	CE156F24-20-C	2.13 (966)
21	3.28 (83.2)	CE156F18-21-C	CE156F20-21-C	CE156F22-21-C	CE156F24-21-C	2.24 (1016)
22	3.43 (87.2)	CE156F18-22-C	CE156F20-22-C	CE156F22-22-C	CE156F24-22-C	2.35 (1066)
23	3.59 (91.1)	CE156F18-23-C	CE156F20-23-C	CE156F22-23-C	CE156F24-23-C	2.45 (1111)
24	3.74 (95.1)	CE156F18-24-C	CE156F20-24-C	CE156F22-24-C	CE156F24-24-C	2.56 (1161)

\* SEE NOTE 1  
 \*\* CER = NO END RIB STYLE  
 (IE. CER156F18-2)

-D SUFFIX IS 500 PIECES PER BAG, -C SUFFIX IS 100 PIECES PER BAG



**ITWPancon** Bolingbrook, Illinois

MAS-CON<sup>®</sup>, .156"  
 END CIRCUIT CONNECTOR

UNLESS OTHERWISE SPECIFIED,  
 DIMENSIONAL TOLERANCES ARE:  
 (.X) ± (.XXX) ± .005 (.12)  
 (.XX) ± .02 (.5) ANGLES ±

UNLESS OTHERWISE SPEC-  
 IFIED, ALL DIMENSIONS  
 ARE GIVEN IN INCHES.  
 THIRD ANGLE PROJECTION.  
 SCALE 1 : 1

DRAWN BY MAT'L  
 RIC

SEE NOTES

DATE  
 10-18-85

CHK'D  
 WJH

DRAWING NO. DWG.  
 KA-10000 A  
 SHT 2 OF 2 SIZE

13	SEE SHEET 1								
REV	DATE	BY	CHK	DESCRIPTION	CN - R	CUST	SUP		

## X-ON Electronics

Largest Supplier of Electrical and Electronic Components

*Click to view similar products for [Standard Card Edge Connectors](#) category:*

*Click to view products by [Pancon](#) manufacturer:*

Other Similar products are found below :

[6565204-6](#) [1489165-4](#) [EBT156-12B1X](#) [EBT15622B2X](#) [EBT156-22R2W](#) [1-582587-1](#) [1-582589-1](#) [284-0102-12100](#) [306022901000000](#) [307-012-502-202](#) [307-024-526-201](#) [307-056-520-300](#) [307-080-526-208](#) [1926088-2](#) [245-062-520-350](#) [287-0032-12101](#) [306-010-500-112](#) [306-028-525-102](#) [306-240-318](#) [307-036-502-202](#) [307-036-521-301](#) [307-072-526-202](#) [345-060-559-303](#) [368-004-520-201](#) [392-008-559-201](#) [534671-1](#) [5-530501-5](#) [341-240-317](#) [345-029-520-300](#) [345-030-500-301](#) [345-044-500-300](#) [345-220-058](#) [346-240-318](#) [357-030-526-201](#) [387-012-523-300](#) [395-100-524-300](#) [50-12B-10](#) [50-6SN-5](#) [09-07-2032](#) [10035388-106LF](#) [10035388-802LF](#) [10115859-011LF](#) [10122859-009LF](#) [101269333204245CLF](#) [10127905-B04B24BLF](#) [530555-1](#) [EB63-S0C3540X](#) [5145409-2](#) [2007209-1](#) [0458440005](#)