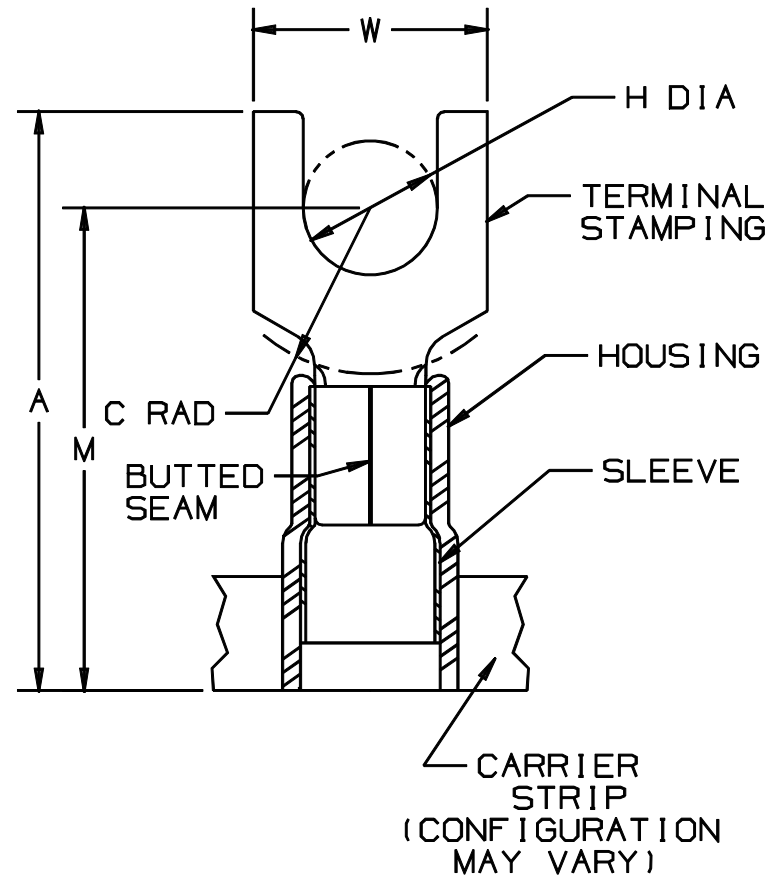


THIS COPY IS PROVIDED ON A RESTRICTED BASIS AND IS NOT TO BE USED IN ANY WAY DETRIMENTAL TO THE INTERESTS OF PANDUIT CORP.

| PANDUIT PART NUMBER | | STUD SIZE | DIMENSIONS in. | | | | |
|---------------------|-----|-----------|-----------------------------------|-----------------------------------|-----------------------------------|-----------------------------------|-----------------------------------|
| PREFIX | PK | | A ^{±.03} _(.8) | W ^{±.01} _(.8) | C ^{±.02} _(.4) | M ^{±.03} _(.8) | H ^{±.01} _(.8) |
| PN18-6FN | -3K | #6 | .78 (19.8) | .25 (6.4) | .20 (5.1) | .64 (16.3) | .15 (3.8) |
| PN18-6F | -3K | #6 | .78 (19.8) | .30 (7.6) | .20 (5.1) | .64 (16.3) | .15 (3.8) |
| PN18-8F | -3K | #8 | .84 (21.3) | .32 (8.1) | .23 (5.8) | .68 (17.3) | .17 (4.3) |
| PN18-10F | -3K | #10 | .86 (21.8) | .35 (8.9) | .25 (6.4) | .70 (17.8) | .20 (5.1) |
| PN18-10FN | -3K | #10 | .86 (21.8) | .31 (7.9) | .25 (6.4) | .70 (17.8) | .20 (5.1) |
| PN18-14F | -3K | 1/4" | 1.03 (26.2) | .44 (11.2) | .33 (8.4) | .78 (19.8) | .27 (6.9) |

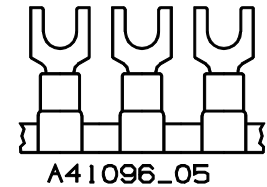
NOTES:

- USED FOR:
 - A. 600V MAX VOLTAGE RATING
 - B. 221°F (105°C) MAX TEMP RATING
 - C. 22-18 AWG (.5-1.5mm²) SOLID OR STRANDED COPPER WIRE
- INSTALLATION TOOLS:
 - A. PRESSES - CP-851, CP-860, CP-861
 - B. APPLICATOR - CA-800
 - C. DIE INSERTS - CD-800-1
- WIRE STRIP LENGTH: 7/32 ^{+1/32}₀ (5.6 ⁺⁸₀)
- MAX WIRE INSULATION DIA: .145 (3.68)
MIN WIRE INSULATION DIA: .080 (2.03)
- MATERIAL:
 - A. TERMINAL STAMPING: .032 (.81) THICK TIN PLATED COPPER
 - B. HOUSING : RED NYLON
 - C. SLEEVE : TIN PLATED BRASS
- PACKAGING:
 - A. BULK ONLY: -3K = 3000 PCS ON CONTINUOUS MOLDED CARRIER STRIP
- DIMENSIONS IN BRACKETS ARE IN MILLIMETERS OR mm²



UL LISTED 587H E52164

SF CERTIFIED LR31212



| REV | DATE | BY | CHK | DESCRIPTION | ECN # | APP | PM |
|-----|-------|----|-----|--|-------|-----|----|
| 05 | 12/00 | ED | | FILESPEC WAS: N41096AA_PCD_04 | 08925 | | |
| 04 | 11/96 | JB | | ADDED NOTE *MIN WIRE INSULATION DIA .080(2.03) | 05415 | | |
| 03 | 7/95 | MC | RLS | UPDATED NOTES AND DIMENSIONS | 03429 | TJP | KS |

PANDUIT CORP. TINLEY PARK, ILLINOIS
 REELSMART™ TERMO™ 3PC. CONTINUOUSLY MOLDED NYLON INSULATED, 22-18 BARREL, FORK TERMINALS

| | | | |
|----------|-------|-------|-------------|
| DRAWN BY | CHK'D | SCALE | DRAWING NO. |
| JMV | | NONE | A41096 |

X-ON Electronics

Largest Supplier of Electrical and Electronic Components

Click to view similar products for [Terminals](#) category:

Click to view products by [Panduit](#) manufacturer:

Other Similar products are found below :

[HT-13-10](#) [71M-250-32-NB](#) [01-2065-1-0216](#) [00581P0075](#) [M10-10RX](#) [M10BCK](#) [60205-1](#) [604200-1](#) [60598-1-CUT-TAPE](#) [60617-1-C](#) [60873-1](#) [M14-516R/SK](#) [M14-6RSX](#) [M18-10FLX](#) [M18-8FBX](#) [M18-8R/LX](#) [M18BCK](#) [61314-6-C](#) [61-S](#) [61-SN-A](#) [62-NBM-A](#) [63-S](#) [640179-1](#) [640917-2-CUT-TAPE](#) [6501550002](#) [66107-2-C](#) [66107-4-C](#) [696683-1](#) [696834-1](#) [696861-1](#) [696931-1](#) [696999-1](#) [M8-516RK](#) [M86700006](#) [MA250DMFMX-A](#) [701-2007](#) [701-2307](#) [701-7761-03](#) [70F-110-32-PB](#) [718-N-A](#) [71M-187-20-NBL](#) [71M-250-32-NBL](#) [72F-187-20-NBL](#) [72M-250-32-NBL](#) [7310](#) [73F-250-32](#) [73F-250-32-NBL](#) [73F-250-32-NL](#) [F14-10C](#) [F-1M](#)