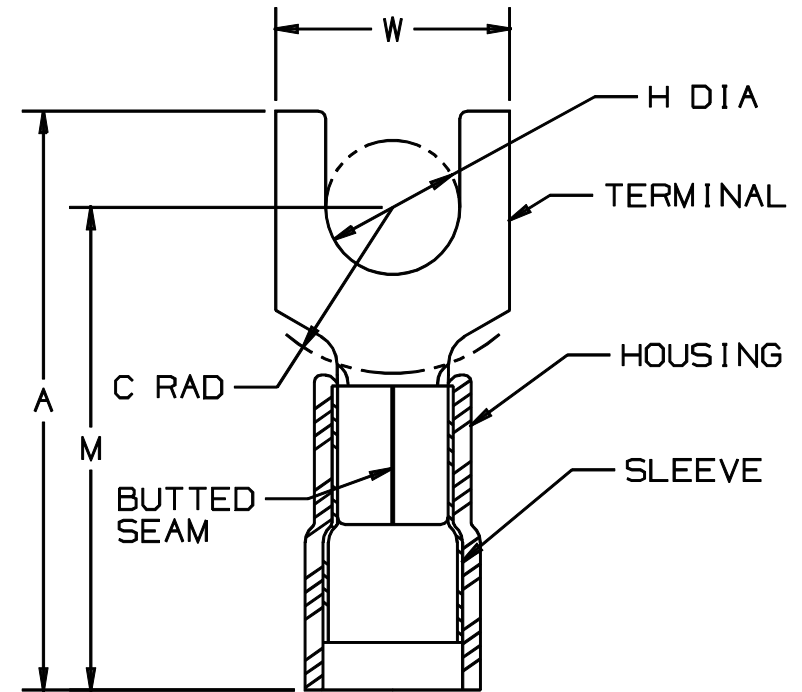


THIS COPY IS PROVIDED ON A RESTRICTED BASIS AND IS NOT TO BE USED IN ANY WAY DETRIMENTAL TO THE INTERESTS OF PANDUIT CORP.

PANDUIT PART NUMBER		STUD SIZE	DIMENSIONS in.				
PREFIX	PK		A ^{±.03} _(.8)	W ^{±.01} _(.3)	C ^{±.02} _(.5)	M ^{±.03} _(.8)	H ^{±.01} _(.3)
PN18-6FN	-C -M	#6	.78 (19.8)	.24 (6.1)	.20 (5.1)	.64 (16.3)	.15 (3.8)
PN18-6F	-C -M	#6	.78 (19.8)	.30 (7.6)	.20 (5.1)	.64 (16.3)	.15 (3.8)
PN18-8F	-C -M	#8	.85 (21.6)	.32 (8.1)	.23 (5.8)	.68 (17.3)	.17 (4.3)
PN18-10F	-C -M	#10	.86 (21.8)	.35 (8.9)	.25 (6.3)	.70 (17.8)	.20 (5.1)
PN18-10FN	-C -M	#10	.86 (21.8)	.31 (7.9)	.25 (6.3)	.70 (17.8)	.20 (5.1)
PN18-14F	-C -M	1/4"	1.03 (26.2)	.44 (11.2)	.33 (8.4)	.78 (19.8)	.27 (6.9)



NOTES :

- UL LISTED AND CSA CERTIFIED FOR :
 - 600 V MAX. VOLTAGE RATING
 - 221°F (105°C) MAX. TEMP. RATING
 - #22-18 AWG SOLID OR STRANDED COPPER WIRE WITH CT-100 INSTALLATION TOOL
 - #22-16 AWG SOLID OR STRANDED COPPER WIRE WITH CT-500, CT-550 CT-1550, CT-1551, & CT-400 (UL ONLY) INSTALLATION TOOLS
- PANDUIT APPROVED (#22-18 AWG) WITH CT-160 & CT-260 INSTALLATION TOOLS
- WIRE STRIP LENGTH: $7/32 + 1/32$ (5.6 +.8)
-0 -0
- MAX WIRE INSULATION DIA: .145 (3.68)
MIN WIRE INSULATION DIA: .080 (2.03)
- MATERIAL :
 - STAMPING : .03" (.8) THK COPPER, TIN PLATED
 - HOUSING : RED NYLON
 - SLEEVE : TIN PLATED BRASS
- PACKAGING:
 - STD : -C = 100
 - BULK : -M = 1000
- DIMENSIONS IN BRACKETS ARE IN MILLIMETERS



LISTED
587H
E52164



CERTIFIED
LR31212

A41191_04

04	1/01	KMD		CAD FILE SPEC. WAS N41191AA_PCD_03				PANDUIT CORP. TINLEY PARK, ILLINOIS
03	12/96	JAMB		ADDED NOTE, "MIN WIRE INSUL. DIA."	05371			
02	5/96	TH	RLS	UPDATED NOTES & DIMENSIONS	04464	LA	DRH	3PC. NYLON INSULATED, 22-18 BARREL, FORKS
01	8/92	BK	RLS	UPDATED DIMENSIONS & FORMAT	01124	LA	JJMC	
REV	DATE	BY	CHK	DESCRIPTION	ECN #	CUST	PM	DRAWN BY: FES CHK'D: RLS SCALE: NONE DRAWING NO.: A41191

X-ON Electronics

Largest Supplier of Electrical and Electronic Components

Click to view similar products for [Terminals](#) category:

Click to view products by [Panduit](#) manufacturer:

Other Similar products are found below :

[HT-13-10](#) [71M-250-32-NB](#) [01-2065-1-0216](#) [00581P0075](#) [M10-10RX](#) [M10BCK](#) [60205-1](#) [604200-1](#) [60598-1-CUT-TAPE](#) [60617-1-C](#) [60873-1](#) [M14-516R/SK](#) [M14-6RSX](#) [M18-10FLX](#) [M18-8FBX](#) [M18-8R/LX](#) [M18BCK](#) [61314-6-C](#) [61-S](#) [61-SN-A](#) [62-NBM-A](#) [63-S](#) [640179-1](#) [640917-2-CUT-TAPE](#) [6501550002](#) [66107-2-C](#) [66107-4-C](#) [696683-1](#) [696834-1](#) [696861-1](#) [696931-1](#) [696999-1](#) [M8-516RK](#) [M86700006](#) [MA250DMFMX-A](#) [701-2007](#) [701-2307](#) [701-7761-03](#) [70F-110-32-PB](#) [718-N-A](#) [71M-187-20-NBL](#) [71M-250-32-NBL](#) [72F-187-20-NBL](#) [72M-250-32-NBL](#) [7310](#) [73F-250-32](#) [73F-250-32-NBL](#) [73F-250-32-NL](#) [F14-10C](#) [F-1M](#)